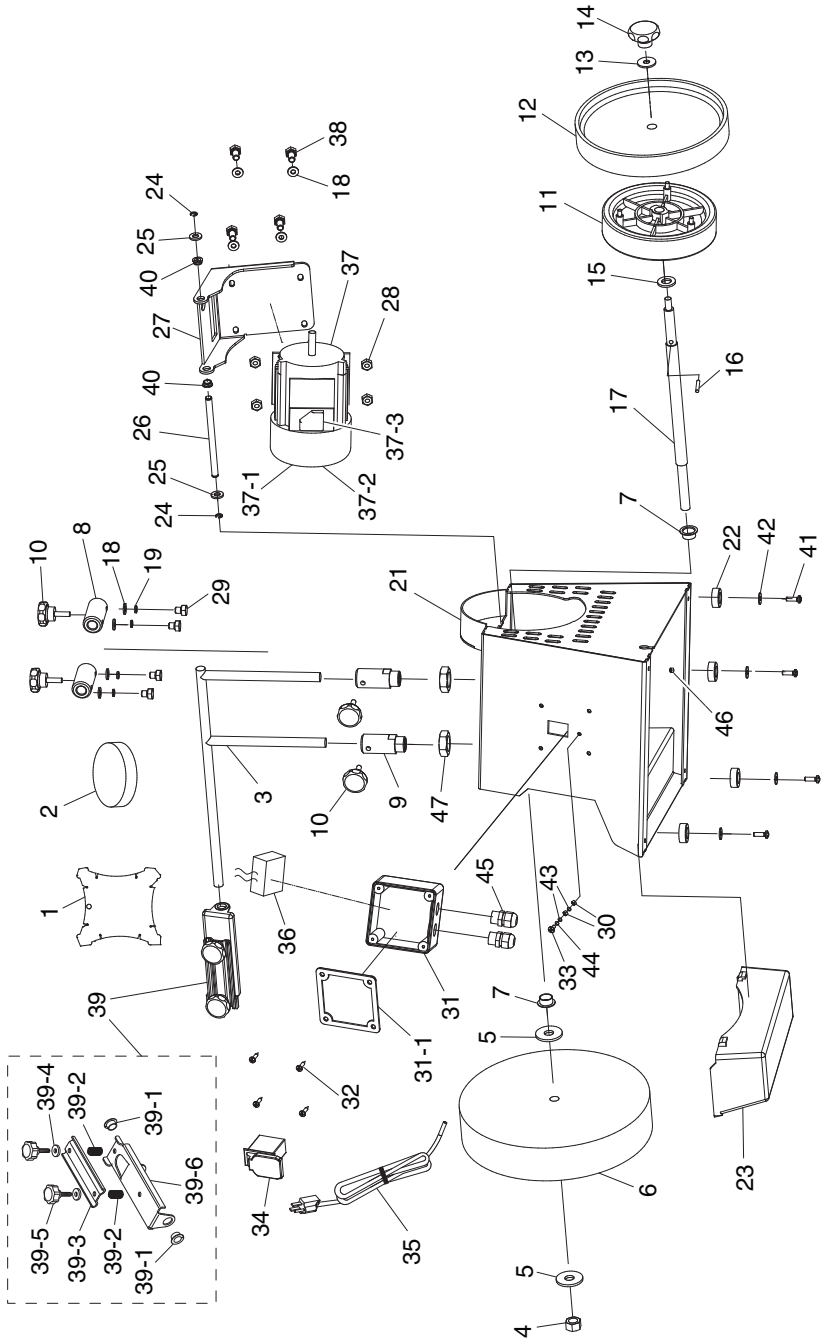


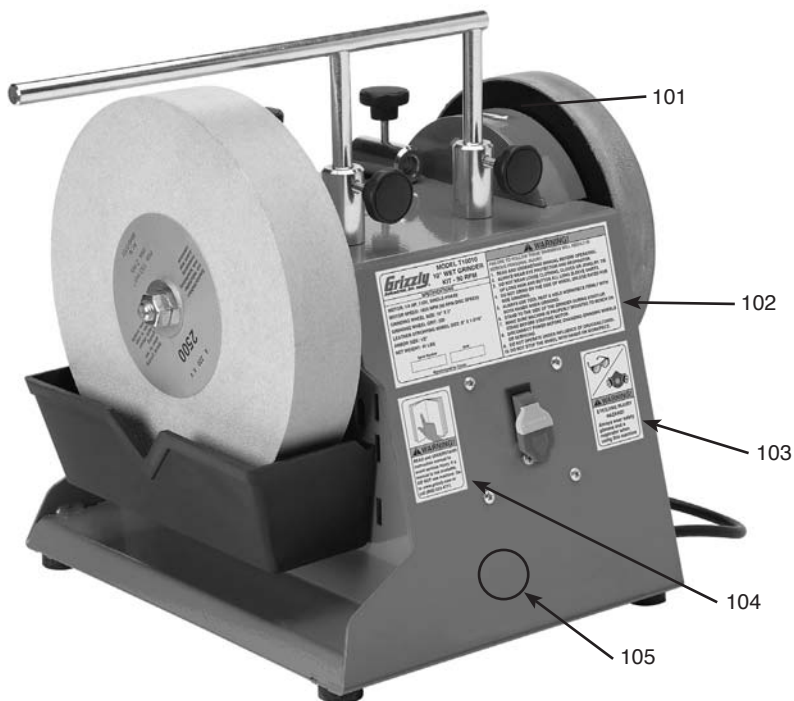
Main Breakdown



Main Parts List

REF	PART #	DESCRIPTION
1	PT10010001	ANGLE GUIDE
2	PT10010002	HONING PASTE
3	PT10010003	UNIVERSAL SUPPORT
4	PN16M	HEX NUT M12-1.75 LH
5	PT10010005	ARBOR FLAT WASHER 12MM
6	T20683	GRINDING WHEEL 220 GRIT A/O
7	PT10010007	FLANGE BUSHING 15MM ID/17MM OD
8	PT10010008	HORIZONTAL SUPPORT HOLDER
9	PT10010009	VERTICAL SUPPORT HOLDER
10	PT10010010	KNOB BOLT M6-1 X 16
11	PT10010011	DRIVE WHEEL
12	T20684	STROPPING WHEEL
13	PW01M	FLAT WASHER 8MM
14	PT10010014	KNOB M8-1.25
15	PW06M	FLAT WASHER 12MM
16	PRP23M	ROLL PIN 4 X 44
17	PT10010017	ARBOR SHAFT
18	PW03M	FLAT WASHER 6MM
19	PTLW05M	EXT TOOTH WASHER 6MM
21	PT10010021	GRINDER CASE
22	PT10010022	RUBBER FOOT
23	PT10010023	WATER RESERVOIR
24	PEC015M	E-CLIP 8MM
25	PW04M	FLAT WASHER 10MM
26	PT10010026	MOTOR BRACKET SHAFT
27	PT10010027	MOTOR BRACKET
28	PN01M	HEX NUT M6-1
29	PT10010029	SHOULDER HEX NUT M6-1
30	PN04M	HEX NUT M4-.7
31	PT10010031	SWITCH HOUSING
31-1	PT10010031-1	SWITCH HOUSING GASKET
32	PHTEK8M	TAP SCREW M4 X 20
33	PS38M	PHLP HD SCR M4-.7 X 10
34	G8988	SWITCH W/DISABLING KEY
35	PT10010035	POWER CORD 18G 3W 5-15 PLUG
36	PT10010036	S CAPACITOR 10M 250V 1-3/16 X 1-5/8
37	PT10010037	MOTOR 1/4HP 120V 1PH
37-1	PT10010037-1	MOTOR FAN COVER
37-2	PT10010037-2	MOTOR FAN
37-3	PT10010037-3	MOTOR JUNCTION BOX
38	PB83M	HEX BOLT M6-1 X 16
39	T20880	GRINDING JIG ASSEMBLY
39-1	T20880	PIVOT BUSHING
39-2	T20880	COMPRESSION SPRING
39-3	T20880	CLAMP PLATE
39-4	PW03M	FLAT WASHER 6MM
39-5	T20880	KNOB BOLT M6-1 X 16
39-6	T20880	BASE PLATE
40	PT10010040	SHAFT BUSHING
41	PS14M	PHLP HD SCR M6-1 X 12
42	PW03M	FLAT WASHER 6MM
43	PLW02M	LOCK WASHER 4MM
44	PTLW01M	EXT TOOTH WASHER 4MM
45	PT10010045	STRAIN RELIEF
46	PFN02M	FLANGE NUT M6-1
47	PT10010047	THIN HEX NUT M20-2.5

Machine Labels Breakdown & Parts List



REF	PART #	DESCRIPTION
101	PT10010101	ROTATION DIRECTION ARROW
102	PT10010102	MACHINE ID LABEL
103	PLABEL-57A	GLASSES/RESPIRATOR LABEL
104	PLABEL-12C	READ MANUAL LABEL
105	PPAINT-01	GRIZZLY GREEN TOUCH-UP PAINT