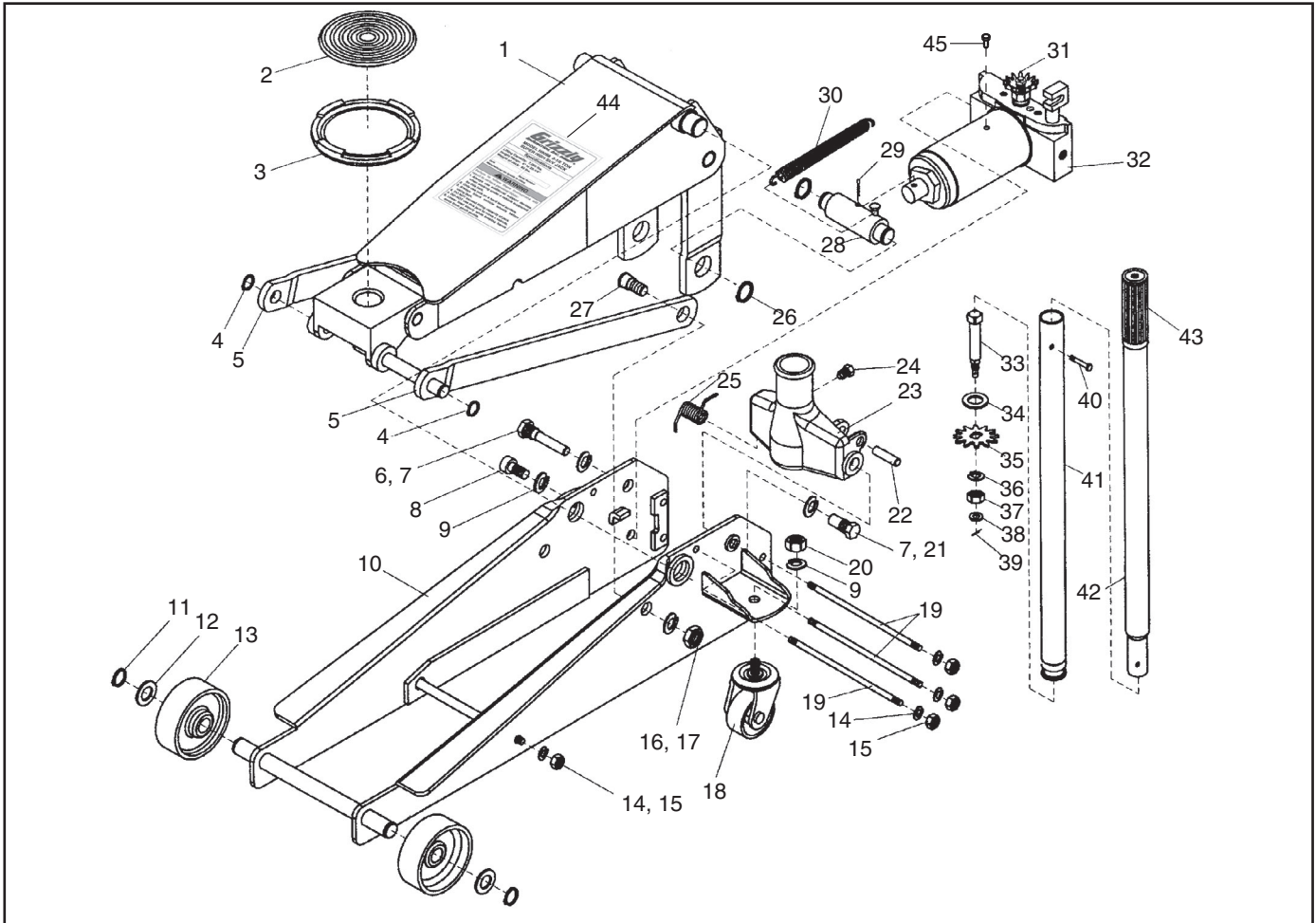


H8098 Parts Breakdown and List



REF	PART #	DESCRIPTION
1	PH8098001	LIFTING ARM ASSEMBLY
2	PH8098002	RUBBER PAD
3	PH8098003	SADDLE
4	PR06M	EXT RETAINING RING 16MM
5	PH8098005	LONG CONNECTING ROD
6	PH8098006	RIGHT LINKAGE BOLT
7	PLW12M	LOCK WASHER 18MM
8	PB25M	HEX BOLT M12-1.75 X 25
9	PLW05M	LOCK WASHER 12MM
10	PH8098010	FRAME
11	PH8098011	EXT RETAINING RING 20MM
12	PH8098012	FRONT WHEEL WASHER
13	PH8098013	FRONT WHEEL
14	PLW04M	LOCK WASHER 8MM
15	PN03M	HEX NUT M8-1.25
16	PLW10M	LOCK WASHER 16MM
17	PN13M	HEX NUT M16-2
18	PH8098018	REAR WHEEL
19	PH8098019	PULL ROD
20	PN09M	HEX NUT M12-1.75
21	PH8098021	LEFT LINKAGE BOLT
22	PH8098022	SMALL PISTON
23	PH8098023	HANDLE SOCKET

REF	PART #	DESCRIPTION
24	PB49M	HEX BOLT M12-1.75 X 20
25	PH8098025	TORSION SPRING
26	PR11M	EXT RETAINING RING 25MM
27	PH8098027	LINKAGE BOLT
28	PH8098028	CONNECTING ROD ASSEMBLY
29	PH8098029	COTTER PIN 4 X 50MM
30	PH8098030	EXTENSION SPRING
31	PH8098031	CONCAVE GEAR
32	PH8098032	PUMP ASSEMBLY
33	PH8098033	GEAR AXIS
34	PW08M	FLAT WASHER 16MM
35	PH8098035	FLAT GEAR
36	PLW06M	LOCK WASHER 10MM
37	PN02M	HEX NUT M10-1.5
38	PW01M	FLAT WASHER 8MM
39	PH8098039	COTTER PIN 2 X 12MM
40	PH8098040	HEX BOLT M16-2 X 35
41	PH8098041	LOWER HANDLE
42	PH8098042	UPPER HANDLE
43	PH8098043	HANDLE SLEEVE
44	PH8098044	MACHINE ID LABEL
45	PH8098045	FILL PLUG

⚠ WARNING

The machine ID label warns about hazards and ways to prevent injury. The owner of the jack **MUST** maintain the original location and readability of the label. If the label is removed or becomes unreadable, contact Grizzly at (800) 523-4777 or www.grizzly.com to order a new label.