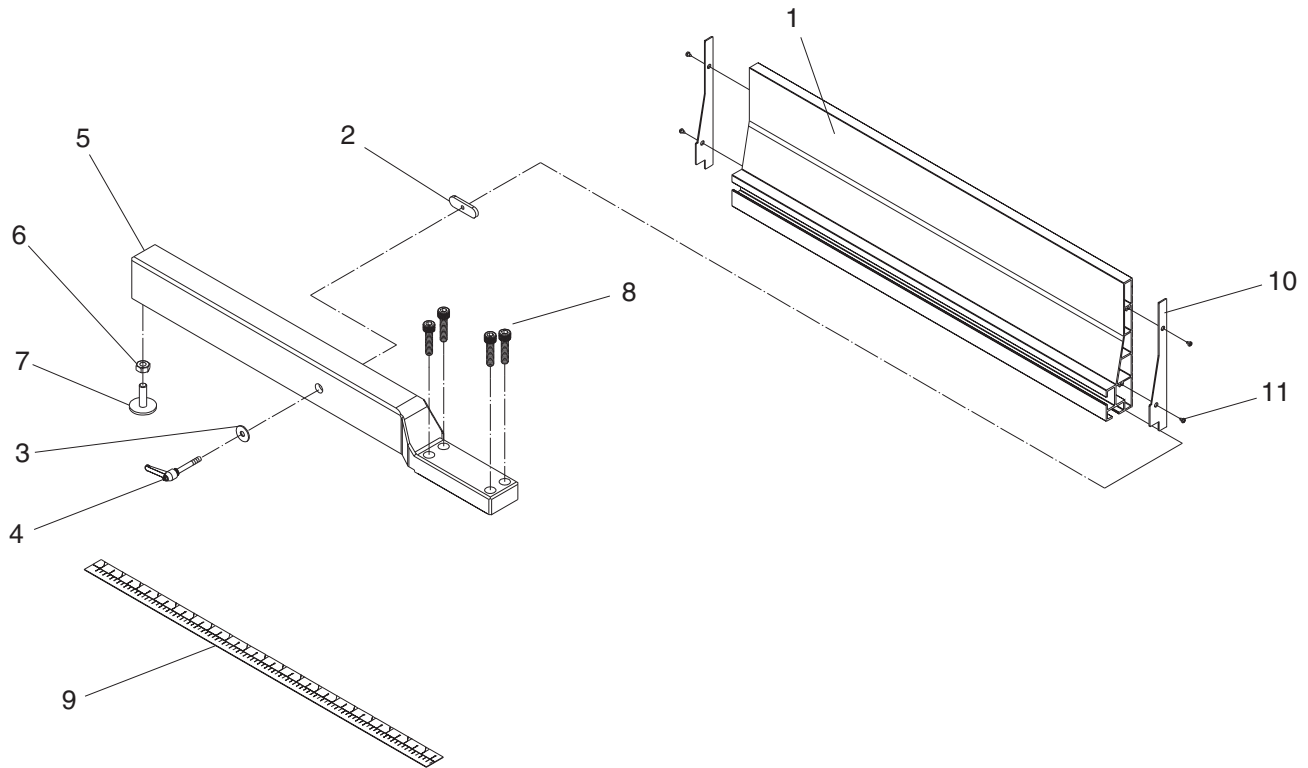


# H7585 Parts Breakdown and List



REF	PART #	DESCRIPTION	QTY
1	PH7585001	RESAW FENCE (AL) 590mm	1
2	PH7528002	MOVING PLATE	1
3	PW01M	FLAT WASHER 8MM	1
4	PH7528004	ADJUSTMENT HANDLE M8 X 44	1
5	PH7588007	FENCE SUPPORT TUBE 590MM	1
6	PN01M	HEX NUT M6-1	1
7	PH7584007	ADJUST SCREW	1
8	PCAP06M	CAP SCREW M6-1 X 25	4
9	PH7588021	SCALE	1
10	PH7528005	END COVER 148 X 22 X 1	2
11	PHTEK3M	TAP SCREW M3.5 X 8	4

COPYRIGHT © JUNE, 2005 BY GRIZZLY INDUSTRIAL, INC. REVISED JANUARY, 2018 (HE)  
**WARNING: NO PORTION OF THIS MANUAL MAY BE REPRODUCED IN ANY SHAPE  
OR FORM WITHOUT THE WRITTEN APPROVAL OF GRIZZLY INDUSTRIAL, INC.**  
#TR7287 PRINTED IN TAIWAN

For replacement parts, call 1-800-523-4777. For help, call Technical Support at 1-570-546-9663 or email [techsupport@grizzly.com](mailto:techsupport@grizzly.com).