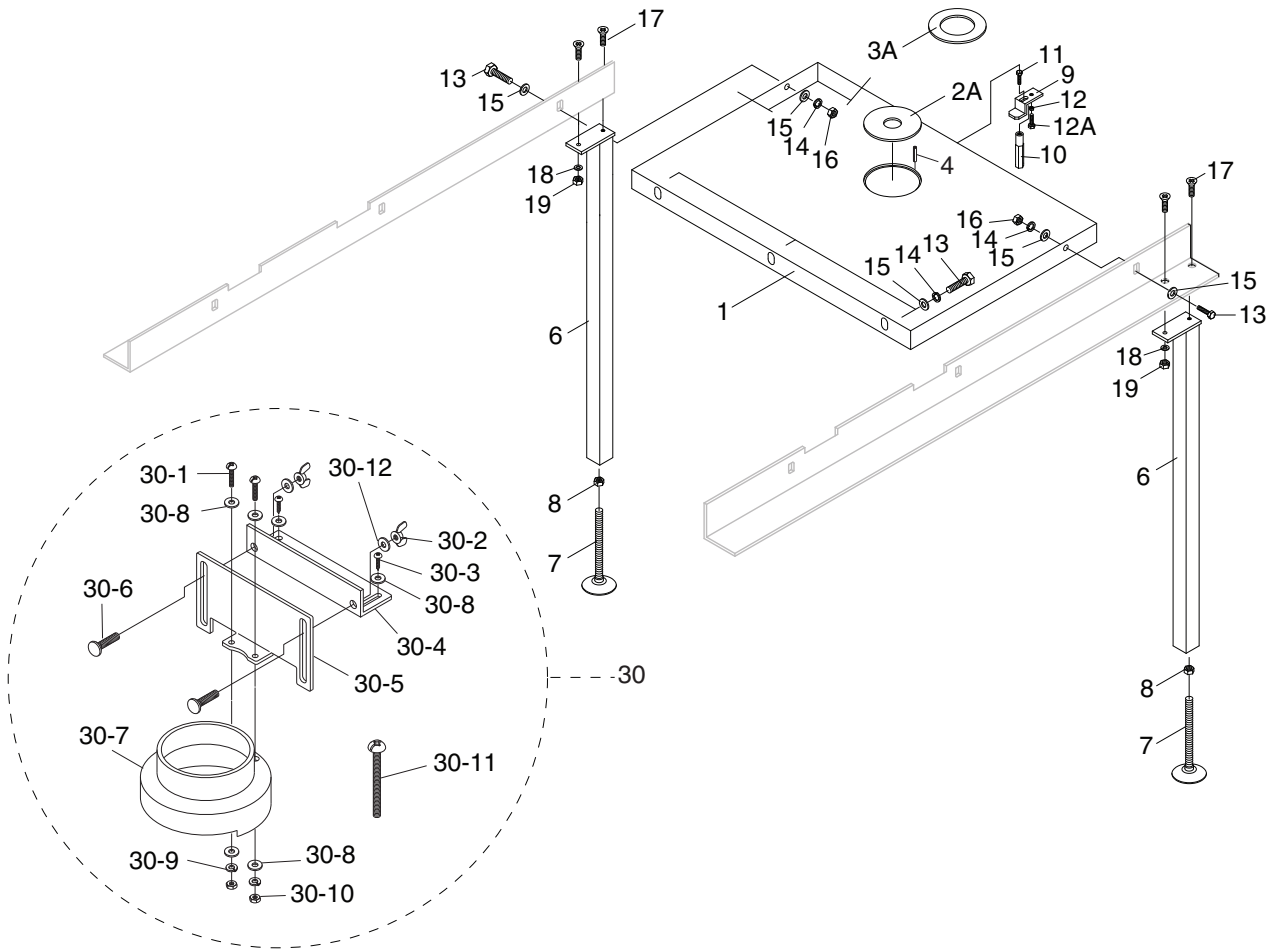


SECTION 5: PARTS

Main



| REF | PART # | DESCRIPTION |
|-----|------------|-----------------------------|
| 1 | PH7507001 | ROUTER TABLE EXT WING |
| 2A | PH7507002A | INSERT 29 X 99.8MM V2.07.05 |
| 3A | PH7507003A | INSERT 60 X 99.8MM V2.07.05 |
| 4 | PRP44M | ROLL PIN 3 X 10 |
| 6 | PH7507006 | EXTENSION LEG |
| 7 | PH7507007 | ADJUSTABLE FOOT |
| 8 | PN41 | HEX NUT 1/2-12 |
| 9 | PH7507009 | ROUTER CLAMP |
| 10 | PH7507010 | HOLD DOWN KNOB 1/4-20 |
| 11 | P0528223 | T-BOLT 1/4-20 X 2 |
| 12 | PN05 | HEX NUT 1/4-20 |
| 12A | PB31 | HEX BOLT 1/4-20 X 1 |
| 13 | PB24 | HEX BOLT 3/8-16 X 1-1/4 |
| 14 | PLW04 | LOCK WASHER 3/8 |
| 15 | PW02 | FLAT WASHER 3/8 |
| 16 | PN08 | HEX NUT 3/8-16 |

| REF | PART # | DESCRIPTION |
|-------|---------------|----------------------------|
| 17 | PFH05 | FLAT HD SCR 1/4-20 X 3/4 |
| 18 | PW06 | FLAT WASHER 1/4 |
| 19 | PN05 | HEX NUT 1/4-20 |
| 30 | P1023RLW620 | ROUTER GUARD ASSEMBLY |
| 30-1 | PS25 | PHLP HD SCR 8-32 X 5/8 |
| 30-2 | PWN02 | WING NUT 1/4-20 |
| 30-3 | PH7507030-3 | WOOD SCREW #8 X 3/4 |
| 30-4 | P1023SLW620-4 | HORIZONTAL BRACKET |
| 30-5 | PH7507022 | VERTICAL BRACKET |
| 30-6 | PCB18 | CARRIAGE BOLT 1/4-20 X 1/2 |
| 30-7 | PH7507021 | CLEAR GUARD |
| 30-8 | PW08 | FLAT WASHER #8 |
| 30-9 | PLW13 | LOCK WASHER #8 |
| 30-10 | PN14 | HEX NUT 8-32 |
| 30-11 | PS36 | PHLP HD SCR 10-24 X 2-1/2 |
| 30-12 | PW06 | FLAT WASHER 1/4 |

