

MODEL W1702 3 HP SHAPER

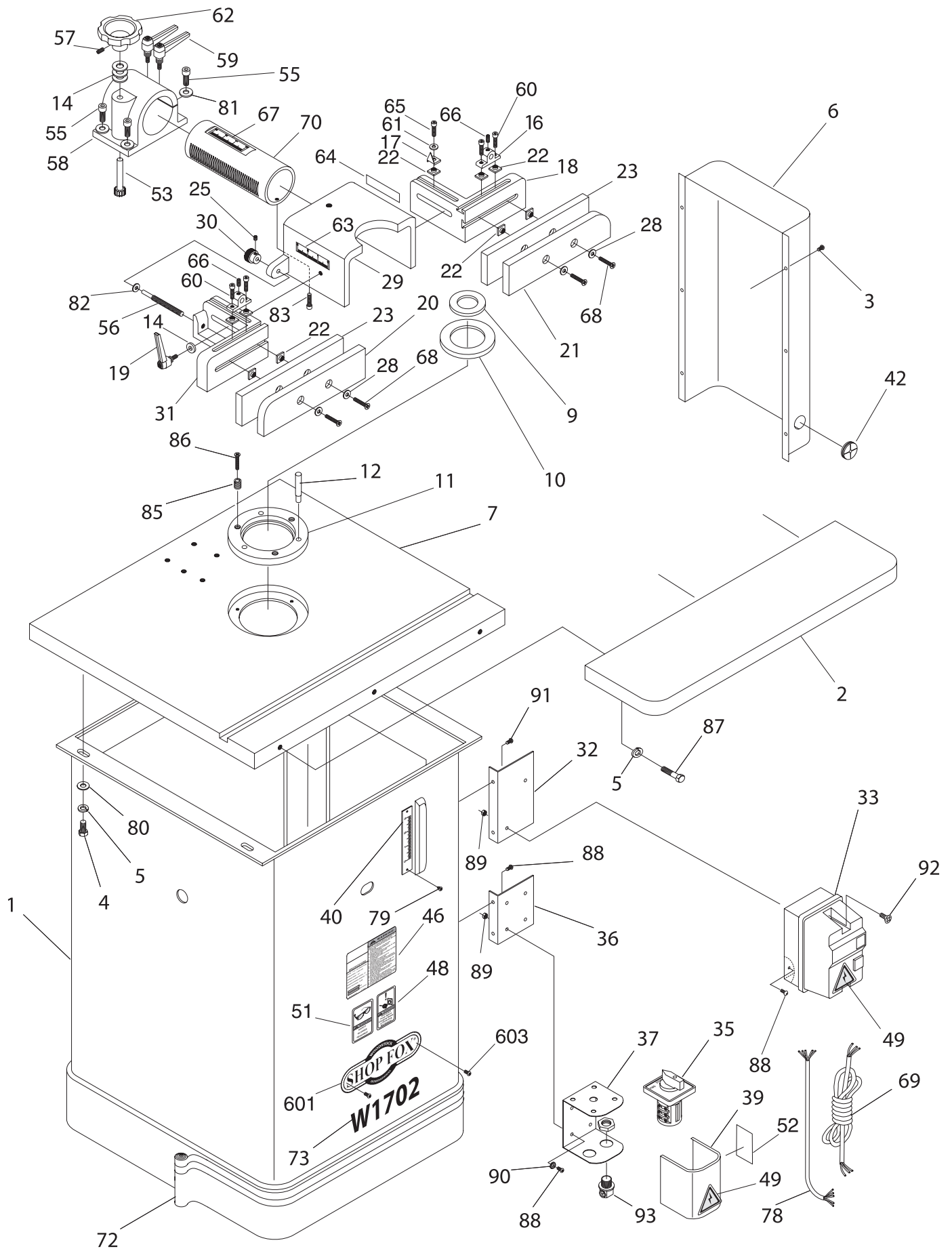


PARTS LIST

Phone: 1-360-734-3482 • On-Line Technical Support: tech-support@shopfox.biz

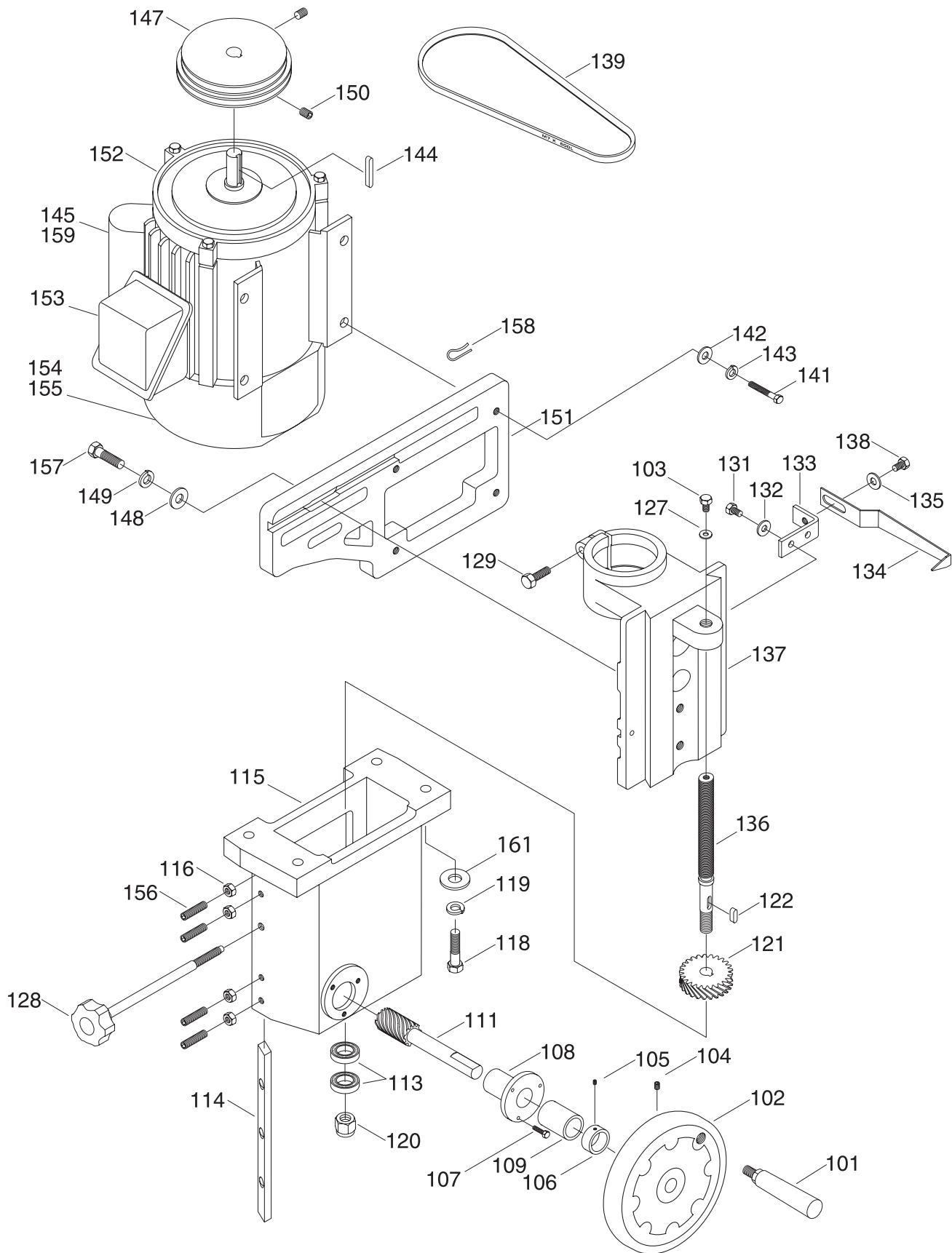
COPYRIGHT © SEPTEMBER, 2003 BY WOODSTOCK INTERNATIONAL, INC.
WARNING: NO PORTION OF THIS MANUAL MAY BE REPRODUCED IN ANY SHAPE OR FORM WITHOUT
THE WRITTEN APPROVAL OF WOODSTOCK INTERNATIONAL, INC.

Printed in Taiwan



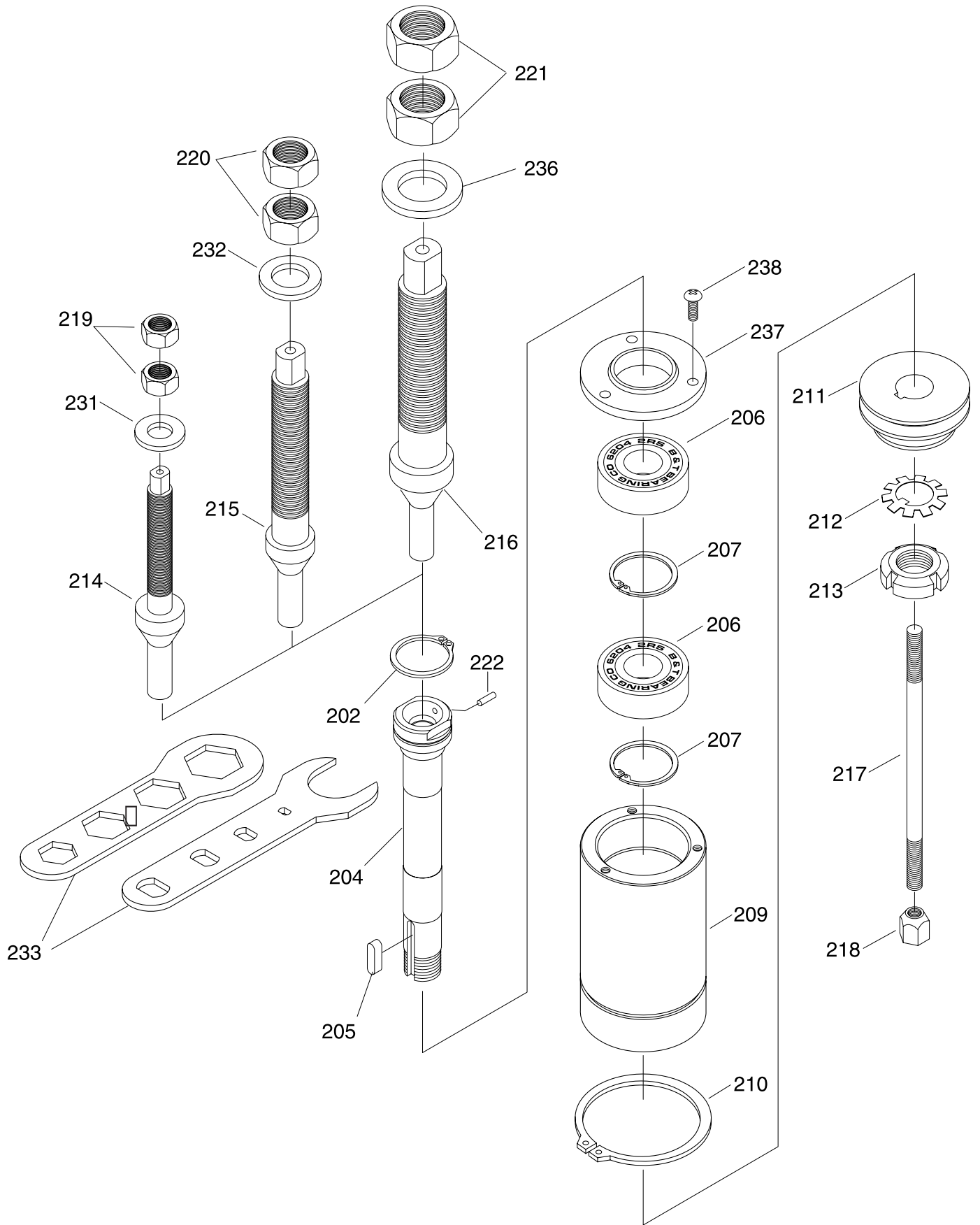
REF	PART#	DESCRIPTION
1	X1702001	STAND
2	X1702002	TABLE WING
3	XPS07	PHLP SCREW 1/4"-20 X 3/8"
4	XPB21	HEX BOLT 3/8"-16 X 3/4"
5	XPLW04	LOCK WASHER 3/8"
6	X1702006	MOTOR COVER
7	X1702007	TABLE
9	X1702009	TABLE INSERT
10	X1702010	TABLE INSERT
11	X1702011	TABLE INSERT
12	X1702012	STARTING PIN
14	XPW02	FLAT WASHER 3/8"
16	X1702016	HOLD-DOWN BRACKET
17	X1702017	POINTER
18	X1702018	FENCE MOUNT (RIGHT)
19	X1702019	LOCK HANDLE
20	X1702020	PLASTIC FACING (LEFT)
21	X1702021	PLASTIC FACING (RIGHT)
22	X1702022	T-NUT
23	X1702029	WOOD FACING
25	XPSS04	SETSCREW 1/4"-20 x 5/16"
28	XPW06	FLAT WASHER 1/4"
29	X1702029	MAIN FENCE HOUSING
30	X1702030	KNURLED KNOB
31	X1702031	FENCE MOUNT (LEFT)
32	X1702032	BRACKET
33	X1702033	MAGNETIC SWITCH
35	X1702035	FWD/REV SWITCH
36	X1702036	BRACKET
37	X1702037	SWITCH BOX
39	X1702039	SWITCH BOX COVER
40	X1702040	SCALE
42	X1702042	GROMMET
46	X1702046	MACHINE ID/WARNING
48	X1702048	UNPLUG MACHINE WARNING
49	X1702049	ELECTRICITY WARNING
51	X1702047	SAFETY GLASSES WARNING

REF	PART #	DESCRIPTION
52	X1702052	READ MANUAL WARNING
53	X1702053	PINION SHAFT
55	XPSB77	CAP SCREW 3/8"-24 X 1"
56	X1702056	FENCE ADJ. SCREW
57	XPSS02	SET SCREW 5/16"-18 X 3/8"
58	X1702058	ADJUSTMENT BRACKET
59	X1702059	LOCKING HANDLE 5/16"-18
60	XPSB04	CAP SCREW 1/4"-20 X 1/2"
61	XPW06	FLAT WASHER 1/4"
62	X1702062	ADJUSTMENT KNOB
63	X1702063	SCALE
64	X1702064	SCALE
65	XPS07	PHLP HD SCR 1/4"-20 X 3/8"
66	XPSS03	SETSCREW 1/4"-20 x 3/8"
67	X1702067	SCALE
68	XPFH07	PHLP HD SCR 5/16"-18 X 1 1/4"
69	X1702036	POWER CORD, 3 WIRE
70	X1702070	ADJUSTMENT TUBE
72	X1702072	COLOR STRIPE
73	X1702073	LABEL (W1702)
78	X1702035	MOTOR POWER CORD, 5 WIRE
79	XPHTK1	SELF TAPPING SCREW
80	XPW02	FLAT WASHER 3/8"
81	XPW02	FLAT WASHER 3/8"
82	XPW06	FLAT WASHER 1/4"
83	XPSB17	CAP SCREW 1/4"-20 x 3/8"
85	X1702085	BARREL SCREW
86	XPFH21	FLAT HD SCR 10-24 x 3/4"
87	XPB24	HEX BOLT 3/8"-16 X 1 1/4"
88	XPS01	PHLP SCREW 10-24 X 1/2"
89	XPNO7	HEX NUT 10-24
90	XPTLW02M	EXT TOOTH WASHER 5mm
91	XPS07	PHLP SCREW 1/4"-20 X 3/8"
92	X1702092	SPECIAL COVER SCREW
93	X1702093	STRAIN RELIEF 16
601	X1702601	CAST LOGO
603	XPS50M	PHLP HD SCR M3-0.5X12



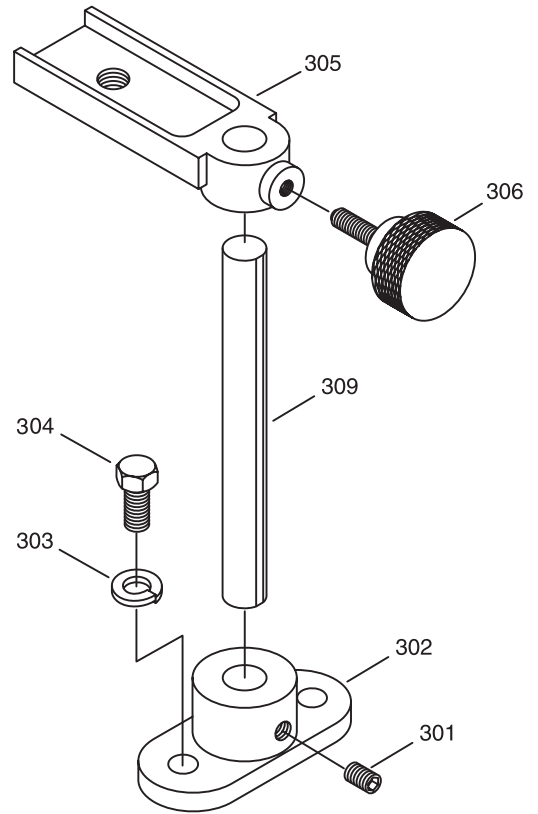
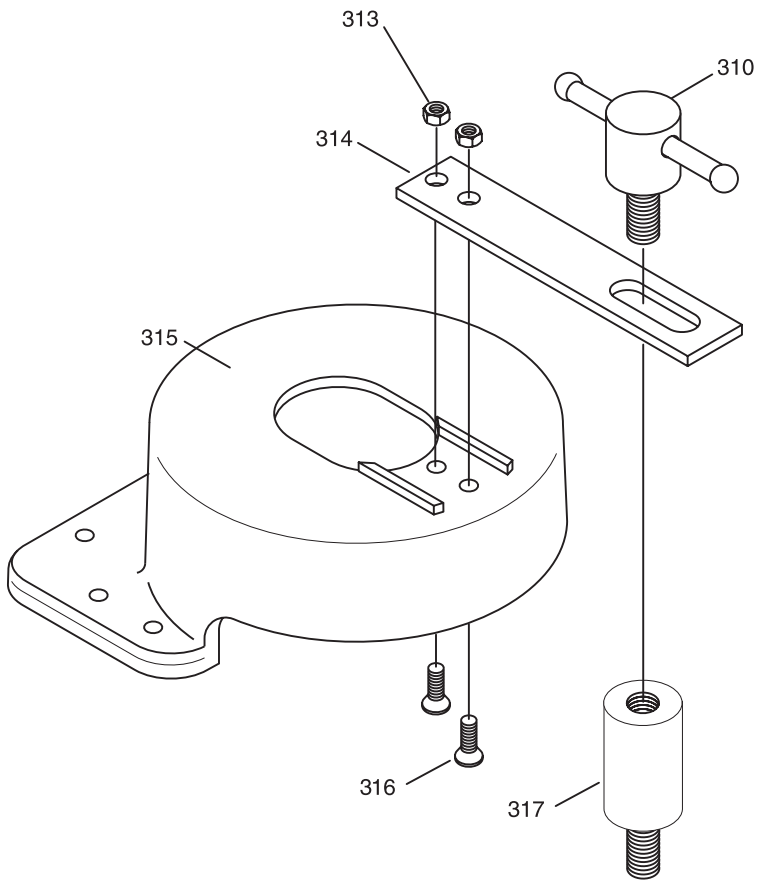
REF	PART #	DESCRIPTION
101	X1702101	HANDLE
102	X1702102	HANDWHEEL
103	XPB09	HEX BOLT 5/16"-18 x 1/2"
104	XPSS15	SETSCREW 3/8"-16 x 3/8"
105	XPSS08	SETSCREW 5/16"-18 x 1/2"
106	X1702106	COLLAR
107	XPSB07	CAP SCREW 5/16"-18 x 3/4"
108	X1702108	SHAFT MOUNT
109	X1702109	BUSHING
111	X1702111	WORM SHAFT
113	XP51103	BEARING
114	X1702114	GIB
115	X1702115	ELEVATION HOUSING
116	XPNO2	HEX NUT 5/16"-18
118	XPB72	HEX BOLT 1/2"-13 x 2"
119	XPLW07	LOCK WASHER 1/2"
120	XPLN07	LOCK NUT 5/8"-11
121	X1702121	GEAR 25T
122	XPK06M	KEY 5 x 5 x 10mm
127	XPW07	FLAT WASHER 5/16"
128	X1702128	HAND KNOB 3/8"-16
129	XPB25	HEX BOLT 3/8"-16 x 1 3/4"
131	XPB19	HEX BOLT 1/4"-20 x 1/2"
132	XPW06	FLAT WASHER 1/4"
133	X1702133	"L" BRACKET

REF	PART #	DESCRIPTION
134	W1702134	POINTER
135	XPW07	FLAT WASHER 5/16"
136	X1702036	ELEVATION LEAD SCREW
137	X1702137	CARTRIDGE SLIDE
138	XPB15	HEX BOLT 5/16"-18 x 3/8"
139	X1702146	V-BELT 7m690
141	XPB22	HEX BOLT 5/16"-18 x 1 3/4"
142	XPW07	FLAT WASHER 5/16"
143	XPLW01	LOCK WASHER 5/16"
144	XPK06M	KEY 5 x 5 x 10
145	X1702145-2	CAPACITOR COVER
147	X1702147	MOTOR PULLEY
148	XPW01	FLAT WASHER 1/2"
149	XPLW07	LOCK WASHER 1/2"
150	XPSS02	SETSCREW 5/16"-18 x 3/8"
151	X1702151	MOTOR MOUNT PLATE
152	X1702152	MOTOR 3 HP
153	X1702145-3	WIRE BOX COVER
154	X1702145-4	MOTOR FAN
155	X1702145-5	MOTOR FAN COVER
156	XPSS20	SETSCREW 5/16"-18 x 1 1/2"
157	XPB55	HEX BOLT 1/2" - 13 x 1 1/2"
158	X1702137	CABLE CLAMPS
159	X1702152-1	START CAPACITOR
161	XPW01	FLAT WASHER 1/2"



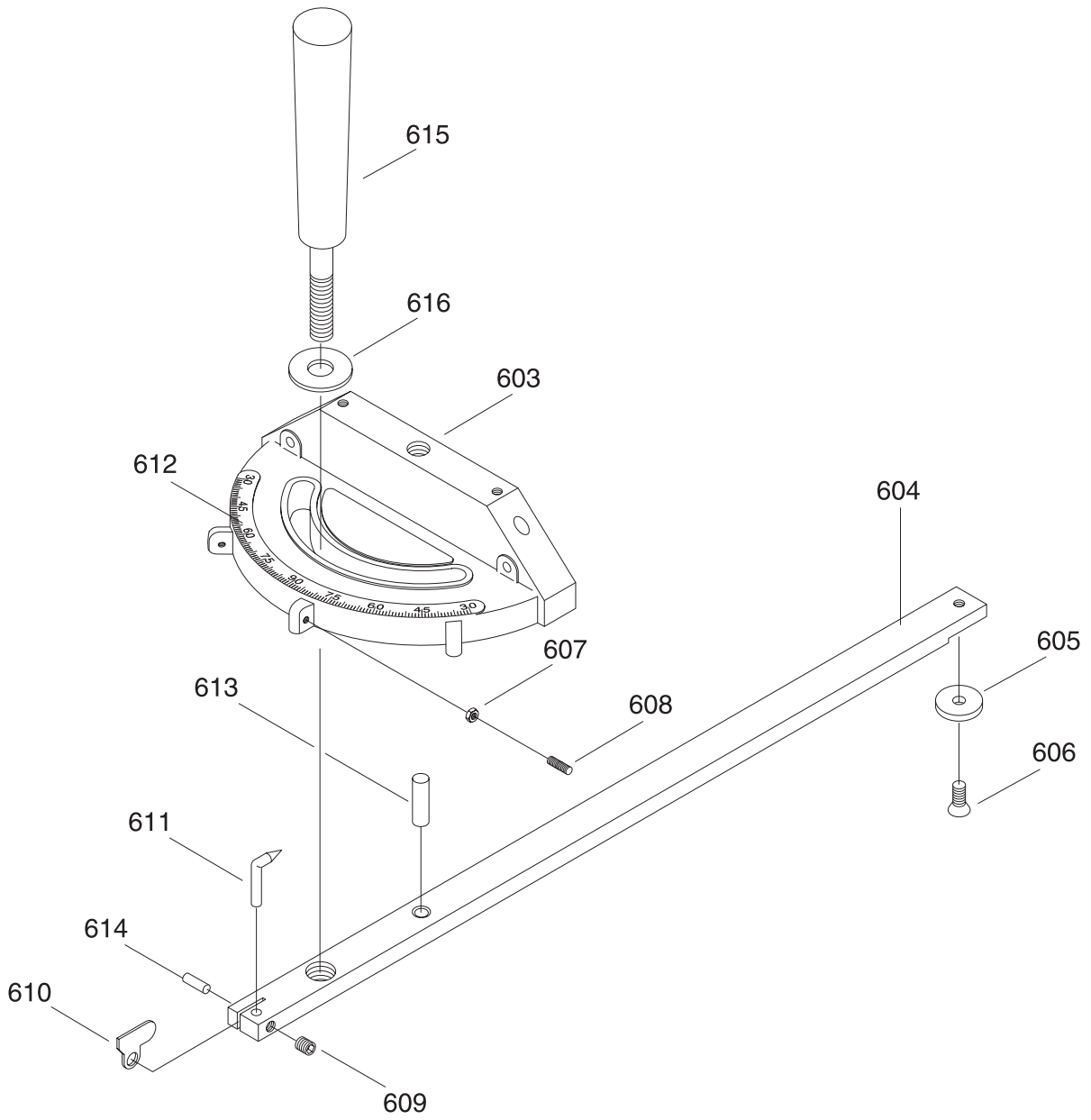
REF#	PART #	DESCRIPTION
202	XPR15M	EXT RETAINING RING 30mm
204	X1702204	SPINDLE CARTRIDGE
205	XPK20M	KEY 5 x 5 x 15mm
206	XP6205	BEARING 6205 ZZ
207	X170207	INT RETAINING RING 25mm
209	X170209	BEARING HOUSING
210	XPR14M	EXT RETAINING RING 70mm
211	X1702211	PULLEY
212	X1702212	TOOTHED WASHER
213	X1702213	SPANNER NUT
214	X1702214	1/2" SPINDLE
215	X1702215	3/4" SPINDLE
216	X1702216	1" SPINDLE
217	X1702217	DRAW BAR
218	X1702218	DRAW BAR NUT
219	X1702219	1/2" SPINDLE NUT SET
220	X1702220	3/4" SPINDLE NUT SET
221	X1702221	1" SPINDLE NUT SET
222	X1702222	PIN
231	X1702231	1/2" SPINDLE WASHER
232	X1702232	3/4" SPINDLE WASHER
233	X1702233	SPINDLE WRENCH SET

REF#	PART #	DESCRIPTION
234	X1702214A	SPINDLE CARTRIDGE KIT
236	X1702236	1" SPINDLE WASHER
237	X1702237	HOUSING CAP
238	XPS01	PHLP HD SCR 10-24 x 1/2"
-	W1161	1/2" ID x 1" OD x 1/2" OH SPACER
-	W1162	1/2" ID x 1" OD x 3/4" OH SPACE
-	W1164	3/4" ID x 1 1/4" OD x 1/4" OH SPACER
-	W1165	3/4" ID x 1 1/4" OD x 3/8" OH SPACER
-	W1166	3/4" ID x 1 1/4" OD x 1/2" OH SPACER
-	W1167	3/4" ID x 1 1/4" OD x 3/4" OH SPACER
-	W1169	1" ID x 1 1/2" OD x 1/4" OH SPACER
-	W1170	1" ID x 1 1/2" OD x 3/8" OH SPACER
-	W1171	1" ID x 1 1/2" OD x 1/2" OH SPACER
-	W1172	1" ID x 1 1/2" OD x 3/4" OH SPACER
-	W1173	1" ID x 1 1/2" OD x 1" OH SPACER
-	W1163	1/2" ID x 1" OD x 1" OH SPACER
-	W1168	3/4" ID x 1 1/4" OD x 1" OH SPACER
-	W1159	1/2" ID x 1" OD x 1/4" OH SPACER
-	W1160	1/2" ID x 1" OD x 3/8" OH SPACER
ID:		INSIDE DIAMETER
OD:		OUTSIDE DIAMETER
OH:		OVERALL HEIGHT
-		NOT SHOWN ON DIAGRAM



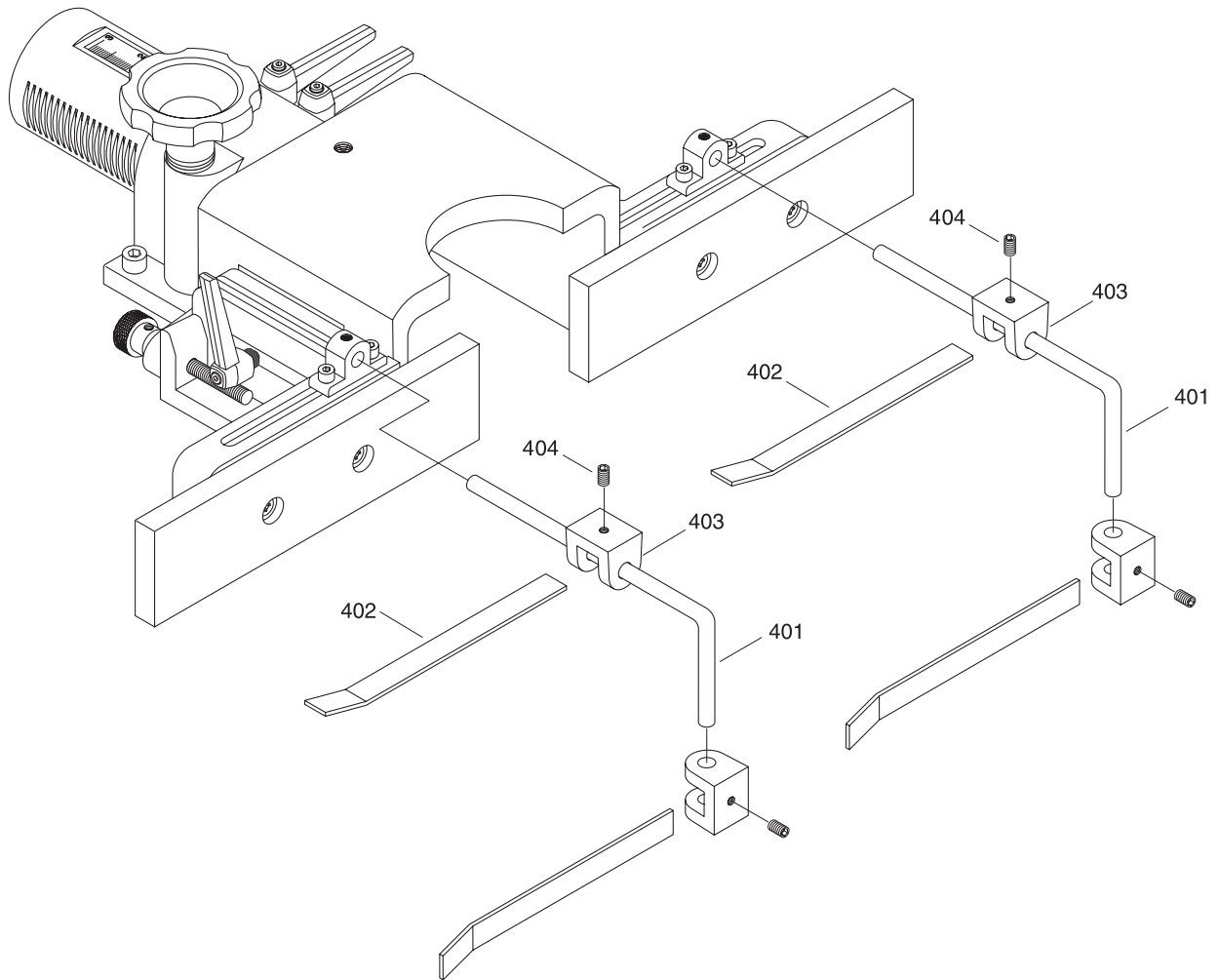
REF	PART #	DESCRIPTION
301	XPSS02	SETSCREW $5/16$ " - 18 x $3/8$ "
302	X1702302	SHAFT MOUNT
303	XPW02	LOCK WASHER $3/8$ "
304	XPB18	HEX BOLT $3/8$ " - 16 x 1"
305	X1702305	EXTENSION BRACKET
306	X1702306	LOCK KNOB W/SHAFT
309	X1702309	SHAFT

REF	PART #	DESCRIPTION
310	X1702310	"T" HANDLE PEG
313	XPN02	HEX NUT $5/16$ " - 18
314	X1702314	EXTENSION BAR
315	X1702315	GUARD
316	XPFH14	FLAT HD SCRW $5/16$ " - 18 x $3/4$ "
317	X1702417	SUPPORT



REF	PART#	DESCRIPTION
603	X1702603	MITER GAUGE BODY
604	X1702604	MITER BAR
605	X1702605	SPECIAL WASHER
606	XPFH19	FLAT HEAD SCREW 1/4"-20 X 3/8"
607	XPNO7	HEX NUT 10-24
608	XPSS32	SETSCREW 10-24 X 3/4"
609	XPSS29	SETSCREW 10-24 X 1/4"

REF	PART#	DESCRIPTION
610	X1702610	STOP
611	X1702611	POINTER
612	X1702612	SCALE
613	X1702613	GUIDE STUD
614	X1702614	SPRING PIN 3mm
615	X1702615	HANDLE
616	XPW07	FLAT WASHER 5/16"



REF PART # DESCRIPTION

401	X1702401	HOLD-DOWN BAR
402	X1702402	HOLD-DOWN
403	X1702403	BRACKET, HOLD-DOWN
404	XPSS02	SETSCREW $\frac{5}{16}$ " - 18 x $\frac{3}{8}$ "