

Grizzly Industrial, Inc.®

18 GAUGE BRAD NAILER

MODEL H5527

PARTS LIST



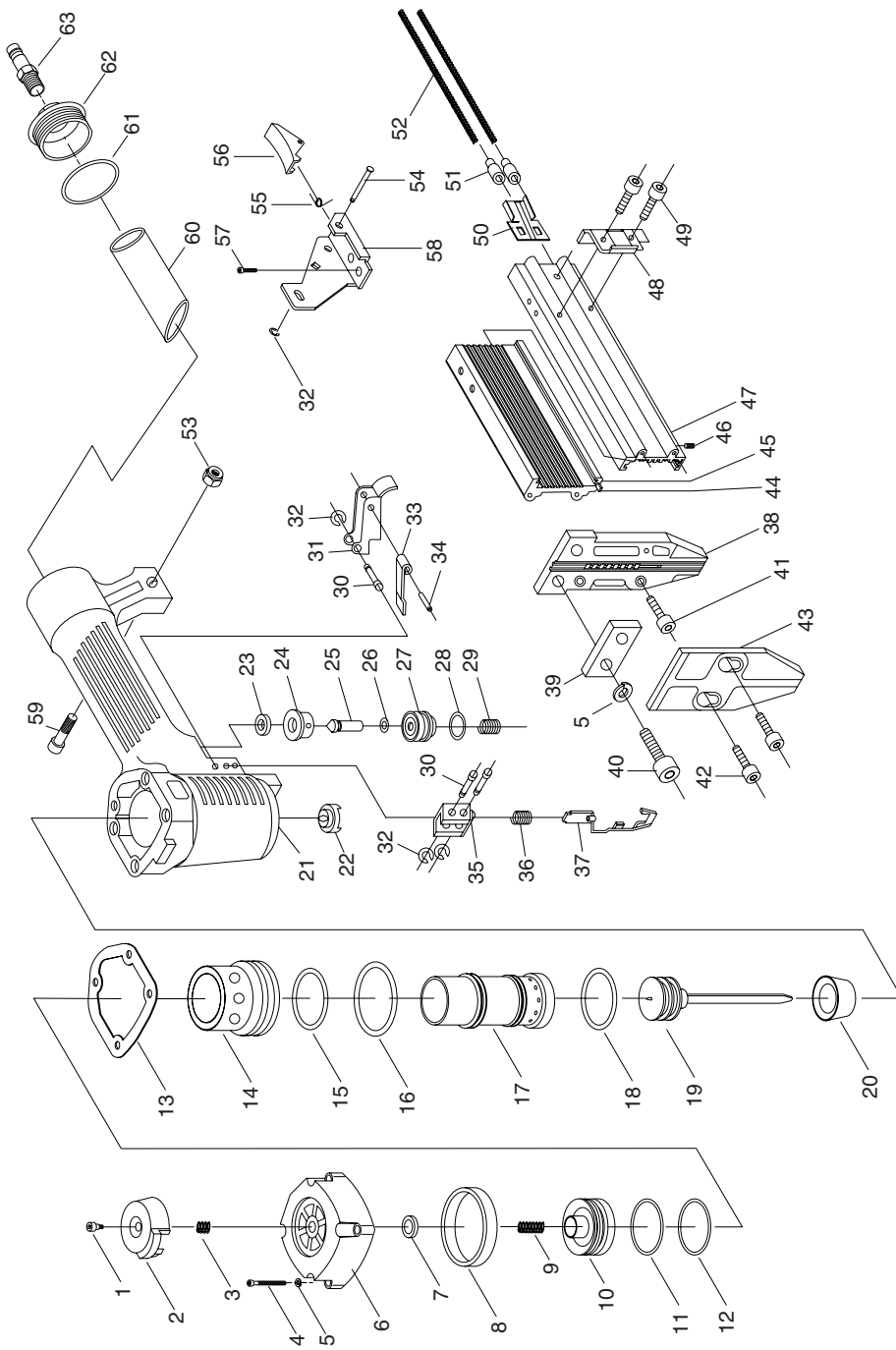
COPYRIGHT © AUGUST, 2003 BY GRIZZLY INDUSTRIAL, INC.
1821 VALENCIA ST., BELLINGHAM, WA 98227

**WARNING: NO PORTION OF THIS MANUAL MAY BE REPRODUCED IN ANY SHAPE
OR FORM WITHOUT THE WRITTEN APPROVAL OF GRIZZLY INDUSTRIAL, INC.**
PRINTED IN CHINA

ONLINE PARTS LIST DISCLAIMER

THESE PARTS REPRESENT THE CONFIGURATION OF THE MACHINE AS IT IS CURRENTLY BEING SHIPPED. THE MACHINE CONFIGURATION CAN CHANGE AS PRODUCT IMPROVEMENTS ARE INCORPORATED. IF YOU OWN AN EARLIER VERSION OF THE MACHINE, THIS PARTS LIST MAY NOT EXACTLY DEPICT YOUR MACHINE. CONTACT CUSTOMER SERVICE IF YOU HAVE ANY QUESTIONS ABOUT PART DIFFERENCES. PREVIOUS PARTS LIST VERSIONS ARE NOT AVAILABLE ONLINE.

H5527 PART BREAKDOWN



-B-

H5527 18 Gauge Brad Nailer

REF	PART #	DESCRIPTION
1	PH5527001	STEPPED BOLT
2	PH5527002	AIR DIRECTOR
3	PH5527003	SPRING
4	PSB15M	CAP SCREW M5 X 20
5	PLW01M	LOCK WASHER 5MM
6	PH5527006	CYLINDER CAP
7	PH5527007	O-RING 13.7 X 2.4
8	PH5527008	SEALING WASHER
9	PH5527009	COMPRESSED SPRING
10	PH5527010	HEAD VALVE PISTON
11	PH5527011	O-RING 31.2 X 2.5
12	PH5527012	O-RING 24.8 X 3.5
13	PH5527013	SEALING WASHER
14	PH5527014	CYLINDER RING
15	PH5527015	O-RING 30 X 2.8
16	PH5527016	O-RING 42.6 X 2.35
17	PH5527017	CYLINDER
18	PH5527018	O-RING 21 X 3
19	PH5527019	PISTON (W/DRIVER)
20	PH5527020	BUMPER
21	PH5527021	BODY
22	PH5527022	RUBBER WASHER
23	PH5527023	SEAL
24	PH5527024	INNER VALVE SEAT
25	PH5527025	TRIG VALVE GUIDE
26	PH5527026	O-RING 11.2X2
27	PH5527027	TRIG VALVE GUIDE
28	PH5527028	O-RING 11.2X2
29	PH5527029	COMPRESSED SPRING
30	PH5527030	STEP PIN
31	PH5527031	TRIG VALVE GUIDE
32	PEC01M	E-CLIP 3MM
33	PH5527033	SAFETY PLATE

REF	PART #	DESCRIPTION
34	PH5527034	PIN
35	PH5527035	STAND
36	PH5527036	SPRING
37	PH5527037	SAFETY STAND
38	PH5527038	DRIVER GUIDE
39	PH5527039	SPACER
40	PSB15M	CAP SCREW M5 X 20
41	PSB23M	CAP SCREW M4 X 12
42	PSB17M	CAP SCREW M4 X 10
43	PH5527043	DRIVER GUIDE COVER
44	PH5527044	NAIL GUIDE LINER
45	PH5527045	MAGAZINE SEAT
46	PSS35M	SET SCREW M4 X 14
47	PH5527047	MAGAZINE CAP
48	PH5527048	FIXED CUBOID
49	PSB41M	CAP SCREW M4 X 14
50	PH5527050	PUSHER
51	PH5527051	PUSHER PIPE
52	PH5527052	COMPRESSED SPRING
53	PLN01M	LOCK NUT M4-.7
54	PH5527054	PIN
55	PH5527055	LATCH SPRING
56	PH5527056	LATCH
57	PSB18M	CAP SCREW M4 X 8
58	PH5527058	LATCH BRACKET
59	PSB16M	CAP SCREW M4 X 16
60	PH5527060	RUBBER SLEEVE
61	PH5527061	O-RING 36.3 X 3.55
62	PH5527062	CAP
63	P6047067	AIR PLUG 1/4 NPT MALE
*64	PH5527064	CARRYING CASE
*65	PAW3M	ALLEN WRENCH 3MM
*66	PAW4M	ALLEN WRENCH 4MM

* These items are not shown in the illustration.