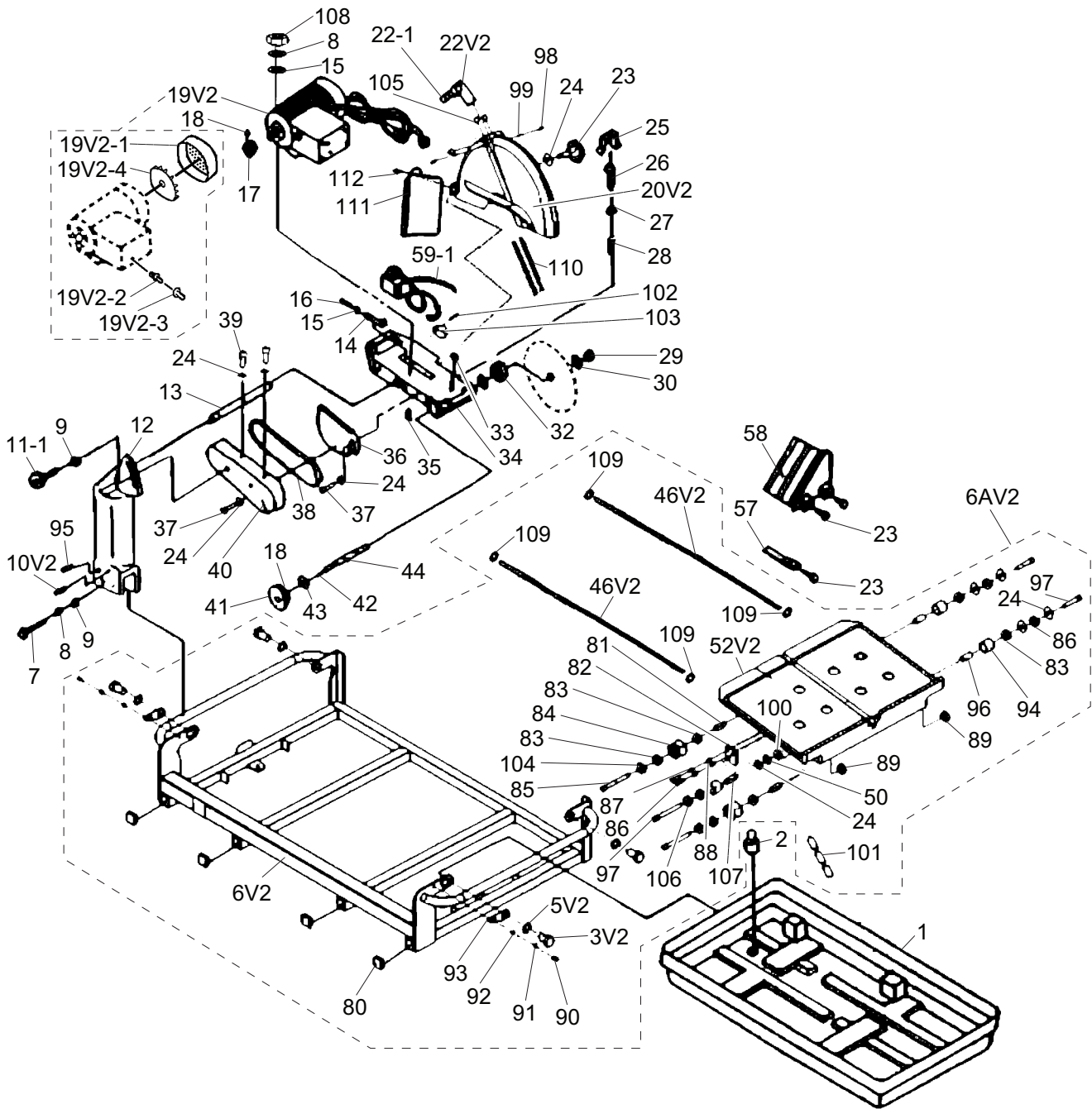


# Parts



REF	PART #	DESCRIPTION
1	PH3390001	WATER RESERVOIR
2	PH3390002	PLASTIC BLOCK
3V2	PH3390003V2	HEX BOLT M16-1.5 X 25
4	PW10M	FLAT WASHER 14MM
5V2	PLW08M	LOCK WASHER 14MM
6V2	PH3390006V2	SAW FRAME DUAL RAIL V2.06.06
6V2A	PH3390006V2A	COMPLETE LOWER ASSEMBLY V2.06.06
7	PB44M	HEX BOLT M10-1.5 X 75

REF	PART #	DESCRIPTION
8	PLW06M	LOCK WASHER 10MM
9	PW04M	FLAT WASHER 10MM
10V2	PCAP142M	CAP SCREW M10-1.5 X 10
11	PH3390011	LOCK KNOB M10-1.5 X 37
11-1	PH3390011-1	BUSHING
12	PH3390012	SUPPORT FRAME
13	PH3390013	SHAFT
14	PH3390014	TENSION ADJUST PLATE



REF	PART #	DESCRIPTION
15	PW04M	FLAT WASHER 10MM
16	PB13M	HEX BOLT M10-1.5 X 80
17	PH3390017	MOTOR PULLEY
18	PSS30M	SET SCREW M10-1.5 X 10
19V2	PH3390019V2	MOTOR V2.06.06
19V2-1	PH3390019V2-1	MOTOR FAN COVER V2.06.06
19V2-2	PH3390019V2-2	TOGGLE SWITCH V2.06.06
19V2-3	PH3390019V2-3	RUBBER COVER V2.06.06
19V2-4	PH3390019V2-4	MOTOR FAN V2.06.06
20V2	PH3390020V2	BLADE GUARD V2.06.06
22V2	PH3390022V2	Y-CONNECTOR V2.06.06
22-1	PH3390022-1	TUBING
23	PH3390023	LOCK KNOB M8-1.25 X 30
24	PW01M	FLAT WASHER 8MM
25	PH3390025	BRAKE HOLDER
26	PH3390026	BRAKE SHAFT
27	PEC13M	E-CLIP 5MM
28	PH3390028	SPRING 1 X 35
29	PN05M	HEX NUT M16-1.5
30	PH3390030	OUTER FLANGE
32	PH3390032	INNER FLANGE
33	PH3390033	RUBBER BLOCK
34	PH3390034	MACHINE BED
35	PCB14M	CARRIAGE BOLT M10-1.5 X 30
36	PH3390036	WHEEL COVER
37	PCAP14M	CAP SCREW M8-1.25 X 20
38	PH3390038	V-BELT A-680
39	PCAP14M	CAP SCREW M8-1.25 X 20
40	PH3390040	PULLEY COVER
41	PH3390041	DRIVE PULLEY
42	PK12M	KEY 5 X 5 X 30
43	P6203ZZ	BALL BEARING 6203ZZ
44	PH3390044	SPINDLE
46V2	PH3390046V2	RAIL V2.06.06
49	PB09M	HEX BOLT M8-1.25 X 20
50	PLW04M	LOCK WASHER 8MM
52V2	PH3390052V2	WORK TABLE V2.06.06
53	PN03M	HEX NUT M8-1.25
55	PW01M	FLAT WASHER 8MM
56	PB126M	HEX BOLT M8-1.25 X 40
57	PH3390057	RIP FENCE
58	PH3390058	MITER FENCE 45D
59	PH3390059	PUMP
59-1	PH3390059-1	CLEAR COOLANT HOSE
60	PH3390060	STAND BRACKET

REF	PART #	DESCRIPTION
61	PH3390061	STAND BRACKET
62	PTLW05M	EXT TOOTH WASHER 6MM
63	PH3390063	KNOB M6-1.0
64	PLN04M	LOCK NUT M8-1.25
65	PB47M	HEX BOLT M6-1 X 40
66	PH3390066	CASTER
67	PW03M	FLAT WASHER 6MM
68	PN01M	HEX NUT M6-1
69	PB22M	HEX BOLT M8-1.25 X 50
70	PCB13M	CARRIAGE BOLT M6-1 X 20
71	PH3390071	RUBBER WASHER
80	PH3390080	END CAP
81	PH3390081	LEFT REAR SPACER
82	PH3390082	BEARING MOUNT
83	P608A	BALL BEARING 608
84	PH3390084	LEFT ROLLER WHEEL
85	PCAP128M	CAP SCREW M8-1.25 X 70
86	PCAP02M	CAP SCREW M6-1 X 20
87	PLW03M	LOCK WASHER 6MM
88	PW03M	FLAT WASHER 6MM
89	PH3390089	BEARING RETAINER M8-1.25
90	PCAP33M	CAP SCREW M5-.8 X 12
91	PLW01M	LOCK WASHER 5MM
92	PW02M	FLAT WASHER 5MM
93	PH3390093	LOCK PLATE
94	PH3390094	RIGHT ROLLER WHEEL
95	PRP56M	ROLL PIN 4 X 25
96	PH3390096	RIGHT SPACER
97	PCAP35M	CAP SCREW M8-1.25 X 60
98	PSS26M	SET SCREW M5-.8 X 6
99	PH3390099	SEAL
100	PN03M	HEX NUT M8-1.25
101	PH3390101	CHAIN
102	PS38M	PHLP HD SCR M4-.7 X 10
103	PH3390103	CORD CLIP
104	PH3390104	LEFT BEARING SHIELD
105	PH3390105	CAP SCREW M8-1.25 X 6
106	PH3390106	RIGHT BEARING SHIELD
107	PH3390107	LEFT FRONT SPACER
108	PN02M	HEX NUT M10-1.5
109	PW04M	FLAT WASHER 10MM
110	PH3390110	WATER JET
111	PH3390111	BAFFLE
112	PS38M	PHLP HD SCR M4-.7 X 10

