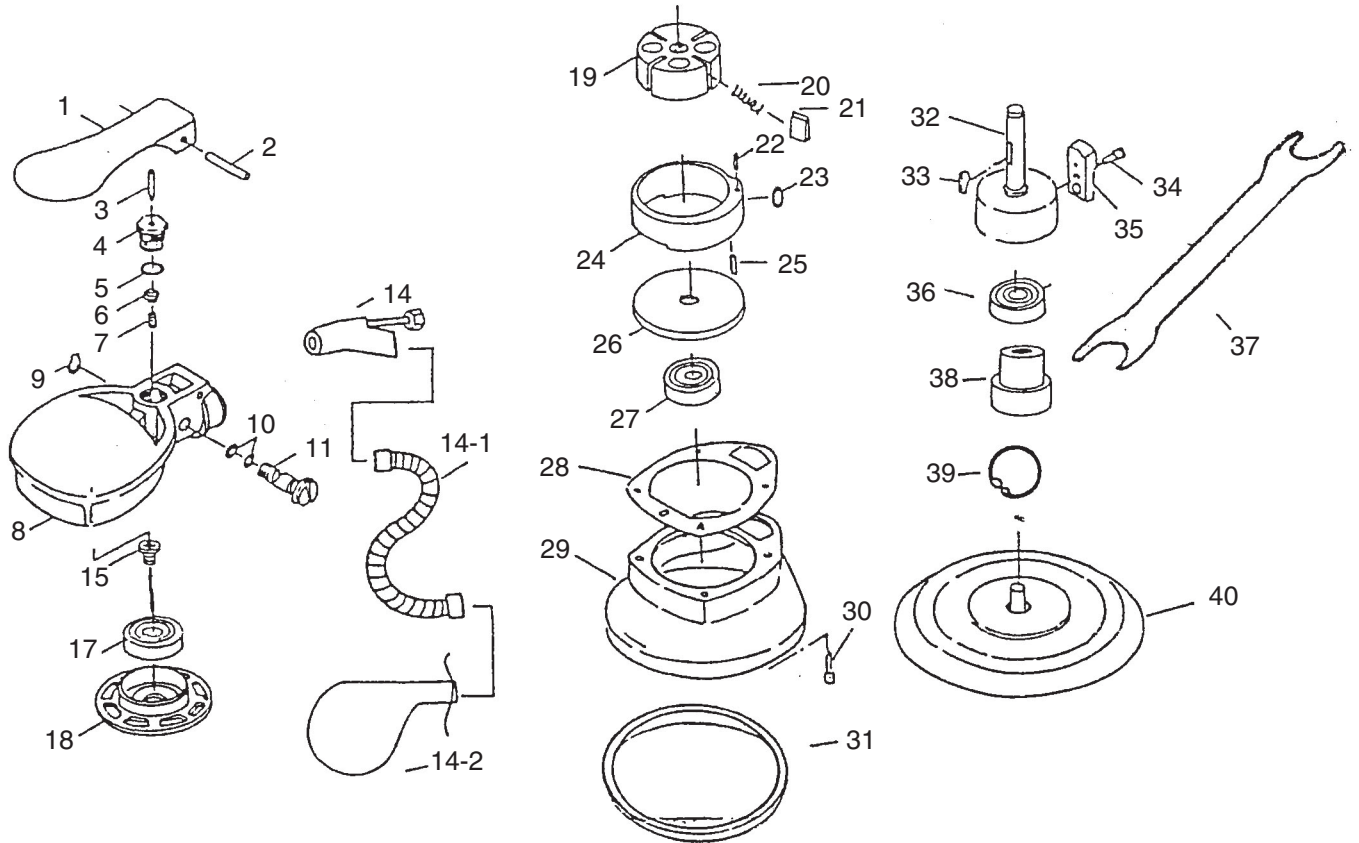


H0584 Parts Breakdown and List



REF	PART #	DESCRIPTION
1	PH0584001	THROTTLE LEVER
2	PRP73M	ROLL PIN 4 X 30
3	PH0584003	VALVE PIN
4	PH0584004	VALVE BODY
5	PH0584005	O-RING
6	PH0584006	THROTTLE VALVE
7	PH0584007	VALVE SPRING
8	PH0584008	MOTOR HOUSING
9	PR36M	EXT RETAINING RING 7MM
10	PH0584010	O-RING
11	PH0584011	REGULATOR
14	PH0584014	AIR ADAPTOR
14-1	PH0584014-1	PLASTIC HOSE
14-2	PH0584014-2	DUST BAG
15	PSB50M	CAP SCREW M5-.8 X 10
17	P6200	BALL BEARING 6200ZZ
18	PH0584018	FRONT PLATE
19	PH0584019	ROTOR
20	PH0584020	VANE SPRING
21	PH0584021	VANE

REF	PART #	DESCRIPTION
22	PH0584022	CYLINDER PIN
23	PH0584023	CYLINDER O-RING
24	PH0584024	CYLINDER
25	PH0584025	CYLINDER PIN
26	PH0584026	REAR PLATE
27	P6200	BALL BEARING 6200ZZ
28	PH0584028	MOTOR GASKET
29	PH0584029	PAD COVER
30	PSB23M	CAP SCREW M4-.7 X 12
31	PH0584031	COTTON RING
32	PH0584032	CRANK SHAFT
33	PH0584033	KEY
34	PH0584034	SCREW
35	PH0584035	LOWER WEIGHT
36	P6202	BALL BEARING 6202ZZ
37	PH0584037	SPECIAL WRENCH
38	PH0584038	RANDOM SHAFT
39	PR29M	INT RETAINING RING 32MM
40	PH0584040	SANDING PAD