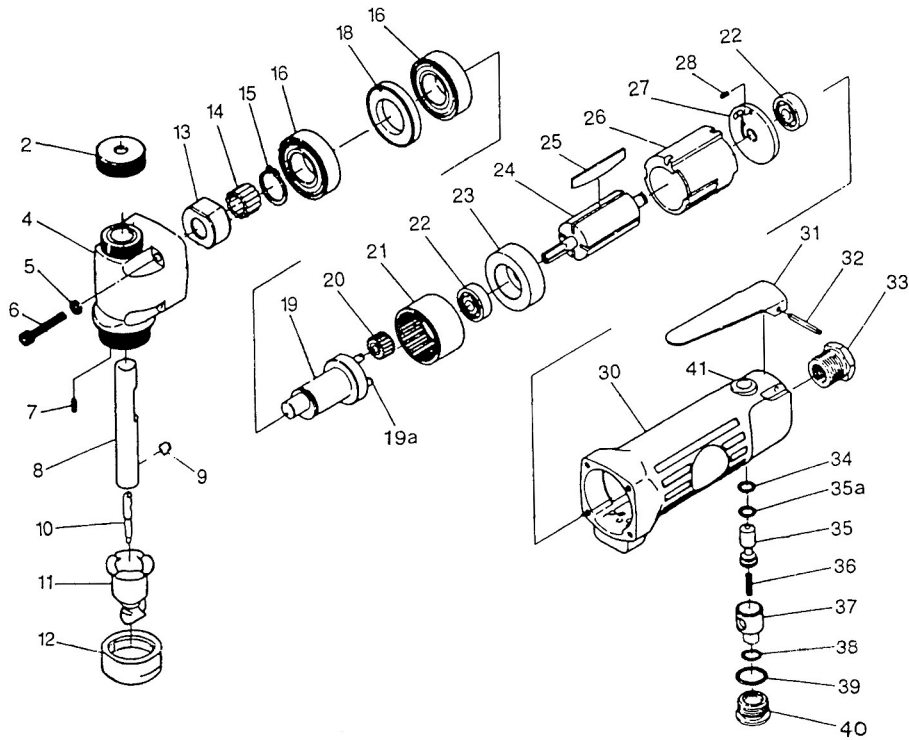


G8124 Parts Breakdown and List



REF	PART #	DESCRIPTION
2	P8124002	HEAD GAP
4	P8124004	HEAD
5	PW05M	FLAT WASHER 4MM
6	PSB153M	CAP SCREW M4-.7 X 25
7	P8124007	PIN M2.5 X 5.8
8	P8124008	SLIDE PIN
9	PSS07M	SET SCREW M5-.8 X 5
10	P8124010	PUNCH BLADE
11	P8124011	DIES N/S
12	P8124012	LOCK NUT
13	P8124013	CAM
14	P8124014	NEEDLE ROLLER 3 X 9.8
15	PR18M	EXT RETAINING RING 17MM
16	P6003ZZ	BALL BEARING 6003ZZ
18	P8124018	SPACER
19	P8124019	CRANK SHAFT
19A	P8124019A	PIN M4 X 14.8
20	P8124020	IDLER GEAR
21	P8124021	INTERNAL GEAR
22	P626ZZ	BALL BEARING 626ZZ

REF	PART #	DESCRIPTION
23	P8124023	FRONT END PLATE
24	P8124024	ROTOR
25	P8124025	ROTOR BLADE
26	P8124026	CYLINDER
27	P8124027	REAR END PLATE
28	P8124028	PIN M2.5 X 6
30	P8124030	MOTOR HOUSING
31	P8124031	THROTTLE LEVER
32	P8124032	LEVER PIN (M3 X 23)
33	P8124033	INLET BUSHING
34	P8124034	O-RING 3.6 X 2.4
35	P8124035	VALVE STEM
35A	P8124035A	O-RING P5
36	P8124036	VALVE SPRING
37	P8124037	AIR REGULATOR
38	P8124038	O-RING P7
39	P8124039	O-RING P12
40	P8124040	THROTTLE VALVE PLUG
41	P8124041	VALVE BUSHING