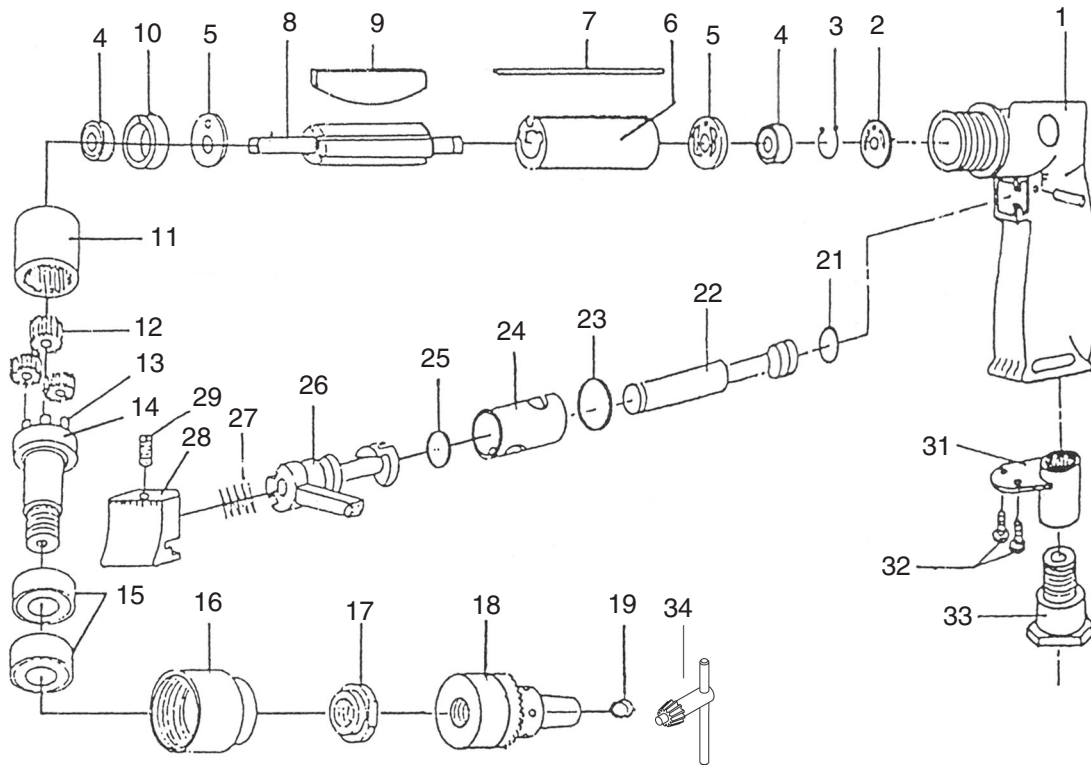


G5351 Parts Breakdown and List



REF	PART #	DESCRIPTION
1	P5351001	HOUSING
2	P5351002	MOTOR GASKET
3	P5351003	RETAINING RING
4	P626	BALL BEARING 626
5	P5351005	END PLATE
6	P5351006	CYLINDER
7	P5351007	PIN
8	P5351008	ROTOR
9	P5351009	ROTOR BLADE
10	P5351010	SPACER
11	P5351011	INTERNAL GEAR
12	P5351012	GEAR
13	P5351013	PIN
14	P5351014	WORK SPINDLE
15	P6201	BALL BEARING 6201
16	P5351016	CLAMP NUT

REF	PART #	DESCRIPTION
17	P5351017	THREADED COLLAR
18	P5351018	CHUCK
19	P5351019	SCREW
21	P5351021	O-RING
22	P5351022	VALVE STEM
23	P5351023	O-RING
24	P5351024	REVERSE BUSHING
25	P5351025	O-RING
26	P5351026	REVERSE LEVER
27	P5351027	SPRING
28	P5351028	TRIGGER
29	P5351029	SCREW
31	P5351031	MUFFLER
32	P5351032	SCREW
33	P5351033	AIR FITTING
34	P5351034	CHUCK KEY