

Grizzly *Industrial, Inc.*®

18" PROFESSIONAL BANDSAW

MODEL G4186Z PARTS LIST



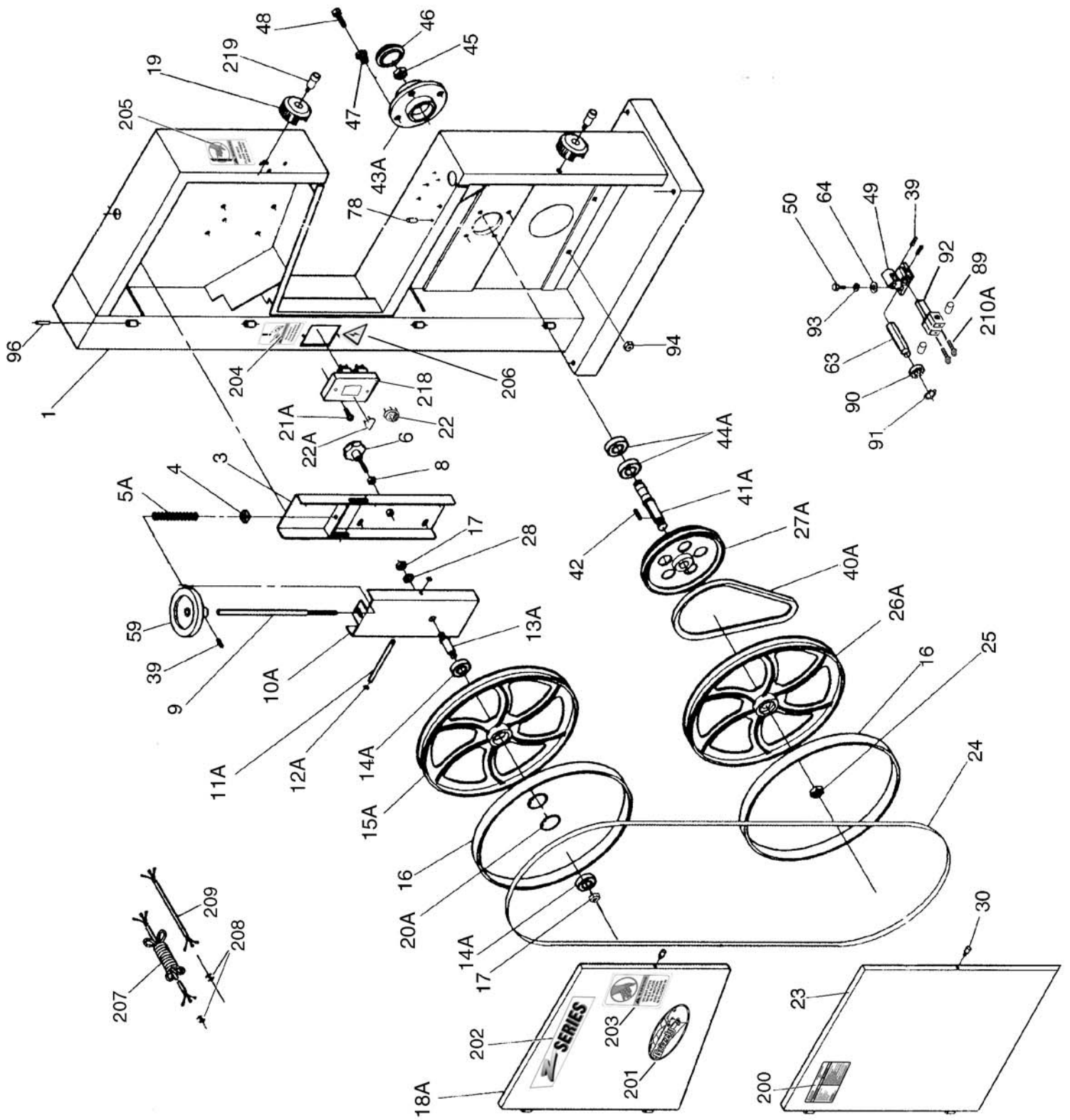
COPYRIGHT © 2000 BY GRIZZLY INDUSTRIAL, INC.

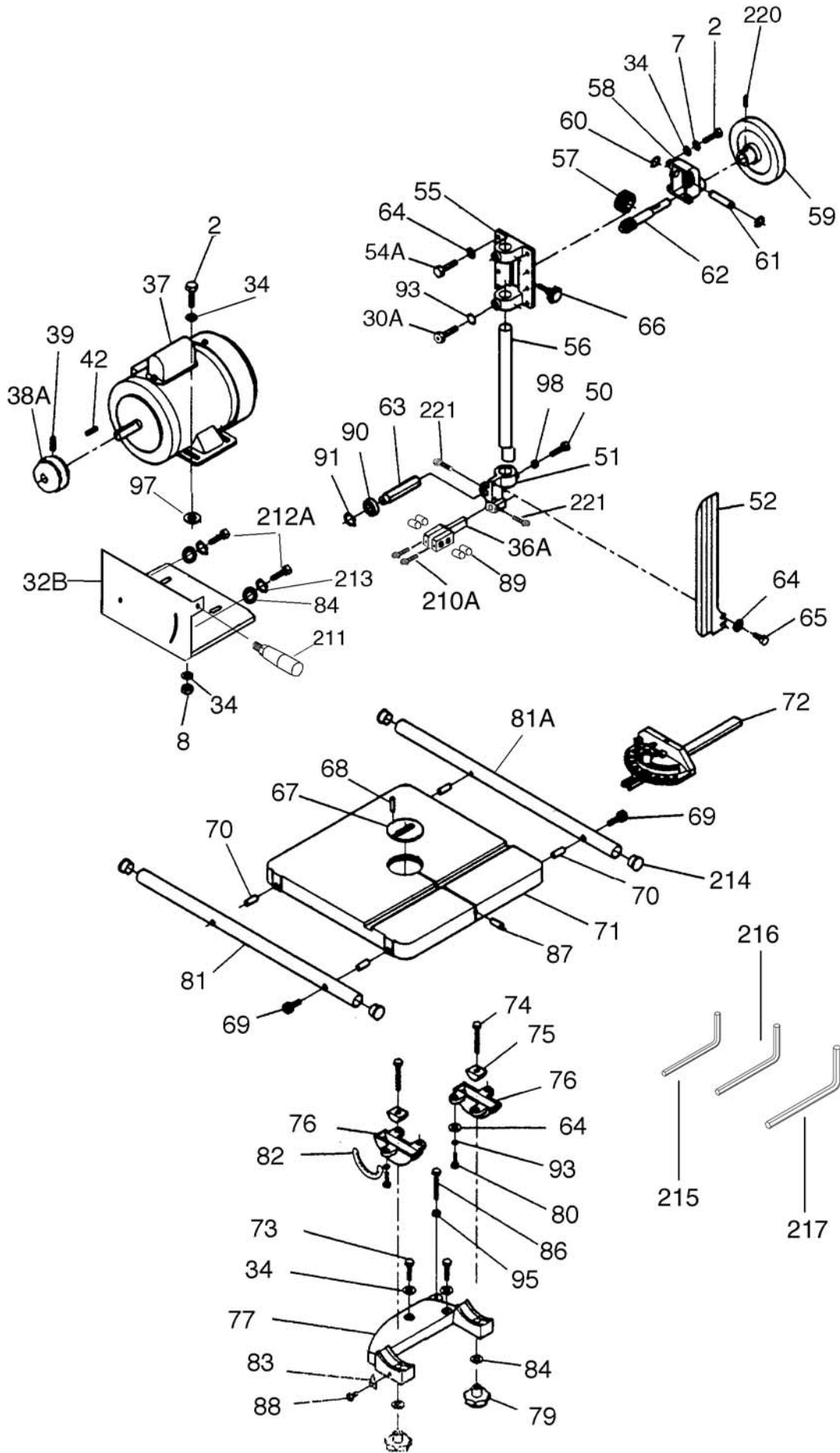
WARNING: NO PORTION OF THIS MANUAL MAY BE REPRODUCED IN ANY SHAPE OR FORM WITHOUT THE WRITTEN APPROVAL OF GRIZZLY INDUSTRIAL, INC.

JUNE, 2002 PRINTED IN TAIWAN

PARTS LIST DISCLAIMER

THIS PARTS LIST AND DRAWINGS REPRESENT THE CONFIGURATION OF THE MACHINE AS IT IS CURRENTLY BEING SHIPPED. THE MACHINE CONFIGURATION CAN CHANGE AS PRODUCT IMPROVEMENTS ARE INCORPORATED. IF YOU OWN AN EARLIER VERSION OF THE MACHINE, THIS PARTS LIST MAY NOT DEPICT YOUR MACHINE EXACTLY. CONTACT CUSTOMER SERVICE IF YOU HAVE ANY QUESTIONS ABOUT PART DIFFERENCES. PREVIOUS PARTS LIST VERSIONS ARE NOT AVAILABLE ONLINE.

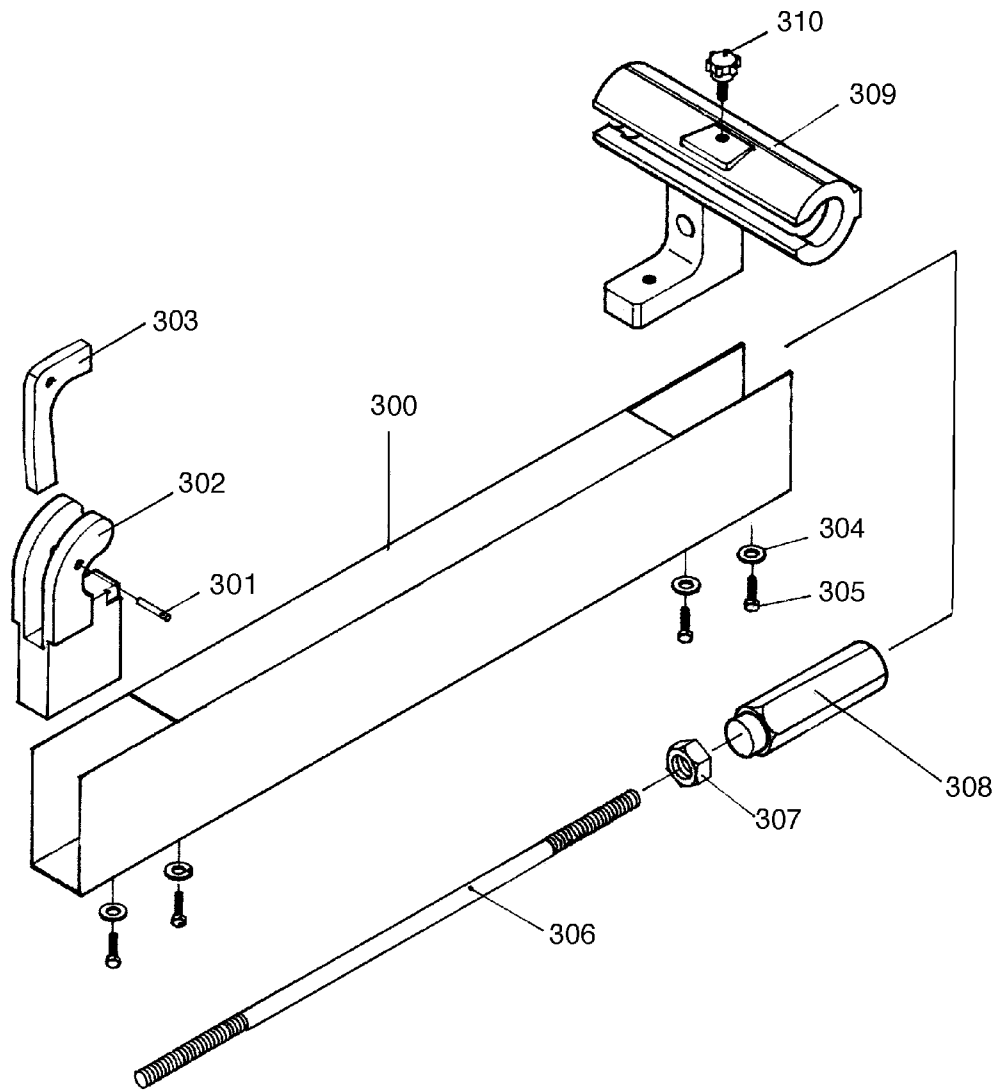




PARTS LIST

REF	PART #	DESCRIPTION
01	P4186Z001	BODY
02	PB32	HEX BOLT 5/16"-18 X 5/8"
03	P4186Z003	WHEEL BRACKET
04	P4186Z004	NUT
05A	P4186Z005A	SPRING-N/S
06	P4186Z006	TRACKING KNOB
07	PLW01	LOCK WASHER 5/16"
08	PN02	HEX NUT 5/16"-18
09	P4186Z009	ADJUSTING SCREW
10A	P4186Z010A	UPPER WHEEL BRACKET-CI
11A	P4186Z011A	TILT AXLE-CI
12A	PN03M	HEX NUT 8MM
13A	P4186Z013	UPPER WHEEL SHAFT-CI
14A	P6203	BEARING 6203 ZZ
15A	P4186Z015A	UPPER WHEEL-CAST IRON
16	P1012029	WHEEL PROTECTOR
17	PN01	HEX NUT 1/2" -20
18A	P4186Z018A	UPPER GUARD-N/S
19	P4186Z019	GUARD LOCKING KNOB
20A	PR23M	INT RETAINING RING 40MM
21A	PS01	SCREW 10 -24 X 1/2"
22	P4186Z022	SWITCH
22A	P4186Z022A	SWITCH KEY
23	P4186Z023	LOWER GUARD
24	SEE CATALOG	BLADE
25	P4186Z025	HEX NUT 3/4" -18 LH
26A	P4186Z026A	LOWER WHEEL-CAST IRON
27A	P4186Z027A	PULLEY-2 SPEED
28	PLW07	LOCK WASHER 1/2"
30A	PSB17	CAP SCREW 1/4"-20 x 3/8"
32B	P4186Z032B	MOTOR PLATE
34	PW07	WASHER 5/16"
36A	P1012007A	GUIDE BLOCK HOLDER-CI
37	P4186Z037	MOTOR
38A	P4186Z038A	MOTOR PULLEY- 2 SPEED
39	PSS04	SET SCREW 1/4" -20 x 5/16"
40A	PVA37	V-BELT A-37
41A	P4186Z041	SHAFT-N/S
42	PK36M	KEY 5 x 5 x 50mm
43A	P4186Z043A	BEARING BASE-CAST IRON
44A	P6005	BEARING 6005 ZZ
45	PN03	HEX NUT 3/4" -16
46	P4186Z046	BEARING COVER
47	P4186Z047	ADJUSTING SCREW
48	PB11	HEX BOLT 5/16" -18 x 1 1/2"
49	P1019055	LOWER BLADE SUP BRKT
50	PB02	HEX BOLT 1/4" -20 x 5/8"
51	P1012005	SUPPORT BRACKET
52	P4186Z052	BLADE GUARD
53	PB32	HEX BOLT 5/16" -18 x 5/8"
54A	PB05	HEX BOLT 1/4" -20 x 3/4"
55	P4186Z055	GUIDE BAR BRACKET
56	P4186Z056	GUIDE BAR
57	P4186Z057	WORM GEAR
58	P4186Z058	GEAR BOX
59	P4186Z059	HAND WHEEL
60	P4186Z060	EXT RETAINING RING
61	P4186Z061	GEAR SPINDLE

REF	PART #	DESCRIPTION
62	P4186Z062	WORM
63	P1012013	SPACING SLEEVE
64	PW06	FLAT WASHER 1/4"
65	PB51	SCREW 1/4" -20 x 3/8"
66	P4186Z066	LOCK KNOB
67	P1012044	TABLE INSERT
68	PRP44M	ROLL PIN 3 x 10MM
69	PSB62	CAP SCREW 1/4"-20 x 1 1/2"
70	P1012102	RAIL SPACER
71	P1012047	TABLE
72	P1012105	MITER GAUGE
73	PB58	HEX BOLT 3/8" -16 x 2"
74	PB35	HEX BOLT 3/8" -16 x 2 1/2"
75	P1012049	TRUNNION CLAMP SHOE
76	P1012050	TRUNNION
77	P4186Z077	TRUNNION SUPPORT BRKT
78	P4186Z078	LOCATING PIN
79	P1012052	CROSS KNOB
80	PB05	HEX BOLT 1/4" -20 x 3/4"
81	P1012101	FENCE RAIL
82	P1012054	GAUGE
83	P1012053	INDICATOR
84	PW02	FLAT WASHER 3/8"
86	P4186Z086	HEX BOLT 3/8"-16 x 4"
87	P4186Z087	TABLE PIN
88	PS23	PHLP HD SCR 8-32 x 1 1/2"
89	P1012008	ROUND GUIDE BLOCK
90	P6200	BALL BEARING 6200
91	PR01M	EXT RETAINING RING 10mm
92	P1019Z071	GUIDE BLOCK HOLDER
93	PLW02	LOCK WASHER 1/4"
94	PLN01	LOCK NUT 3/8"-16
95	PN08	HEX NUT 3/8"-16
96	P4186Z096	HINGE PIN
97	P4186Z097	RUBBER WASHER 5/16"
98	PN05	HEX NUT 1/4"
200	P4186Z200	ID/WARNING LABEL
201	G8588	GRIZZLY NAMEPLATE
202	PLABEL-5	"Z" SERIES LABEL
203	PLABEL-20	DO NOT OPEN LABEL
204	PLABEL-18	DISCONNECT POWER LABEL
205	PLABEL-19	HAND NEAR BLADE LABEL
206	PLABEL-14	ELECTRICITY LABEL
207	PWRCRD220L	POWER CORD 220V LONG
208	P4186Z208	STRAIN RELIEF
209	PWRCRD220S	MOTOR CORD
210A	PTS006	THUMBSCREW 1/4"-20 X 3/4"
211	P4186Z211	HANDLE
212A	PB21	HEX BOLT 3/8"-16 x 1"
213	PLW04	LOCK WASHER 3/8"
214	P1012110	FENCE RAIL PLUG
215	PAW03M	ALLEN WRENCH 3mm
216	PAW04M	ALLEN WRENCH 4mm
217	PAW05M	ALLEN WRENCH 5mm
218	P4186Z218	SWITCH MOUNT
219	PS02	PHILIP SCREW 1/4"-20 X 3/4"
220	PSS02	SETSCREW 5/16"-18 X 3/8"
221	PTS002	THUMBSCREW 1/4"-20 X 5/8"



300	P4186Z300	FENCE TUBE
301	P4186Z301	ROLL PIN
302	P4186Z302	REAR FENCE BRACKET
303	P4186Z303	REAR CLAMP
304	PW06	FLAT WASHER 1/4"
305	PB19	HEX BOLT 1/4"-20 x 1/2"
306	P4186Z306	CLAMP ROD
307	PN08	HEX NUT 3/8"-16
308	P4186Z308	REAR LOCKING KNOB
309	P4186Z309	FRONT FENCE CLAMP
310	P4186Z310	FRONT LOCKING KNOB