



**IMPORTS, INC.**

# **MAGNUM BRAD NAILER**

**MODEL G2413**

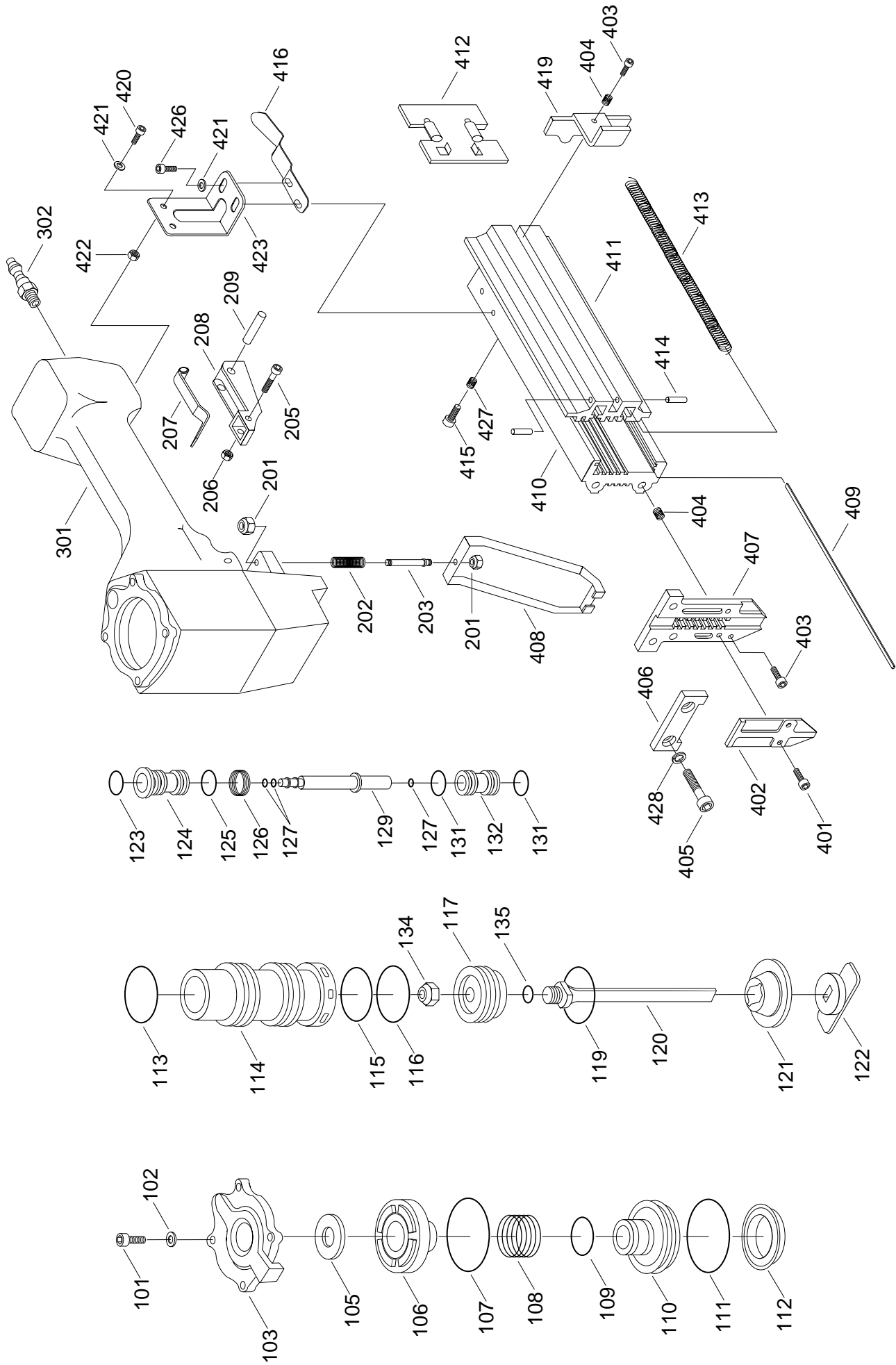
## **PARTS LIST**



COPYRIGHT © 1991 BY GRIZZLY IMPORTS, INC. REG. #TX 3 176 560  
**WARNING: NO PORTION OF THIS MANUAL MAY BE REPRODUCED IN ANY SHAPE  
OR FORM WITHOUT THE WRITTEN APPROVAL OF GRIZZLY IMPORTS, INC.**  
REVISED SEPTEMBER, 1996 PRINTED IN USA

#### **DISCONTINUED MACHINE MANUAL DISCLAIMER**

THE INFORMATION IN THIS MANUAL REPRESENTS THE LAST CONFIGURATION OF THE MACHINE BEFORE IT WAS DISCONTINUED. MACHINE CONFIGURATIONS MAY HAVE CHANGED AS PRODUCT IMPROVEMENTS WERE INCORPORATED. IF YOU OWN AN EARLIER VERSION OF THE MACHINE, THIS MANUAL MAY NOT EXACTLY DEPICT YOUR MACHINE. CONTACT CUSTOMER SERVICE IF YOU HAVE ANY QUESTIONS ABOUT DIFFERENCES. PREVIOUS VERSIONS ARE NOT AVAILABLE ONLINE.



Complete Driver Unit P/n 120A (Includes 117, 120, 134)

REF	PART #	DESCRIPTION
101	PSB15M	CAP SCREW M5-0.8 X 20
102	PL201M	LOCK WASHER 5MM
103	P2413103	DEFLECTOR
105	P2413105	SEAL
106	P2413106	CAP
107	P2413107	O-RING
108	P2413108	SPRING
109	P2413109	O-RING
110	P2413110	HD VALVE PISTON
111	P2413111	O-RING
112	P2413112	COLLAR
113	P2413113	O-RING
114	P2413114	CYLINDER
115	P2413115	O-RING
116	P2413116	O-RING
117	P2413117	MAIN PISTON
119	P2413119	O-RING
120	P2413120	SHAFT
120A	P2413120A	DRIVER UNIT (117, 120, 134)
121	P2413121	BUMPER
122	P2413122	JOINT GUIDE
123	P2413123	O-RING
124	P2413124	TUBE
125	P2413123	O-RING
126	P2413126	SPRING
127	P1861A57	O-RING
129	P2413129	VALVE
131	P2413131	O-RING
132	P2413132	TUBE
201	PLN02M	LOCK NUT M5-0.8
202	P2413202	SPRING
203	P2413203	PIN

REF	PART #	DESCRIPTION
205	PSB21M	CAP SCREW M4 - 0.7 X 30
206	PLN01M	LOCK NUT
207	P2413207	TRIGGER PLATE
208	P2413208	TRIGGER
209	PRP02M	ROLL PIN 3 X 16
301	P2413301	GUN BODY
302	G2308	AIR FITTING
401	PSB33M	CAP SCREW M5-0.8 X 12
402	P2413402	DRIVER GUIDE COVER "A"
403	PSB41M	CAP SCREW M4-0.7 X 14
404	P2413404	THREADED INSERT
405	PSB07M	CAP SCREW M6-1.0 X 30
406	P2413406	DRIVER GUIDE COVER "B"
407	P2413407	DRIVER GUIDE
408	P2413408	SAFETY
409	P2413409	FLAT BAR
410	P2413410	MAGAZINE UNIT "A"
411	P2413411	MAGAZINE UNIT "B"
412	P2413412	PUSHER
413	P2413413	SPRING
404	PRP40M	ROLL PIN 2-5 X 12
415	PSB18M	CAP SCREW M4 - 0.7 X 8
416	P2413416	MAGAZINE LATCH
419	P2413419	REAR PLATE
420	PSB51M	CAP SCREW M4 - 0.7 X 17
421	PW05M	FLAT WASHER
422	PLN01M	LOCK NUT M4-0.7
423	P2413423	BRACKET
426	PSB17M	CAP SCREW M4-0.7 X 10
428	PLW03M	LOCK WASHER 6MM
429	P2413429	O-RING KIT