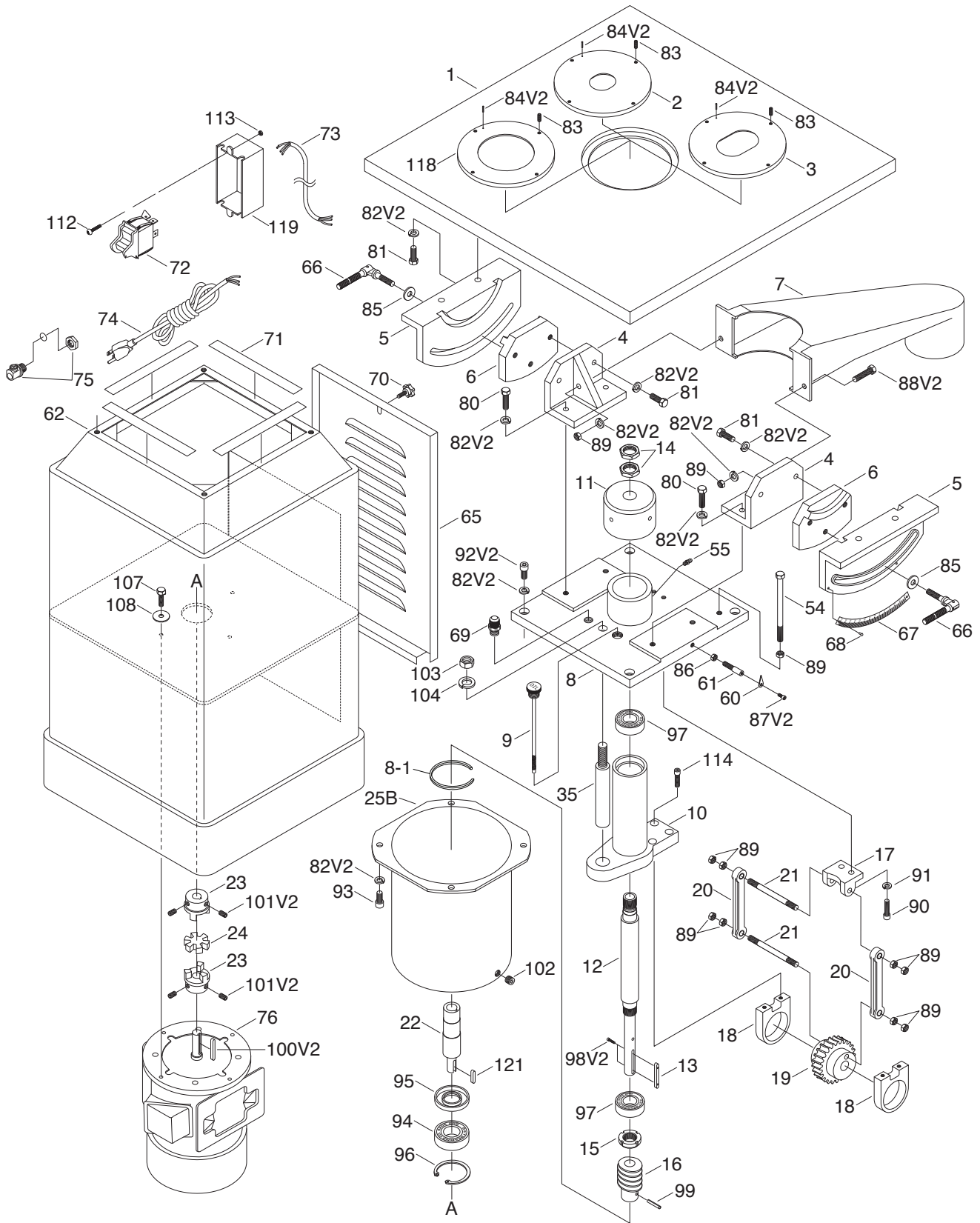


SECTION 9: PARTS

Main Breakdown



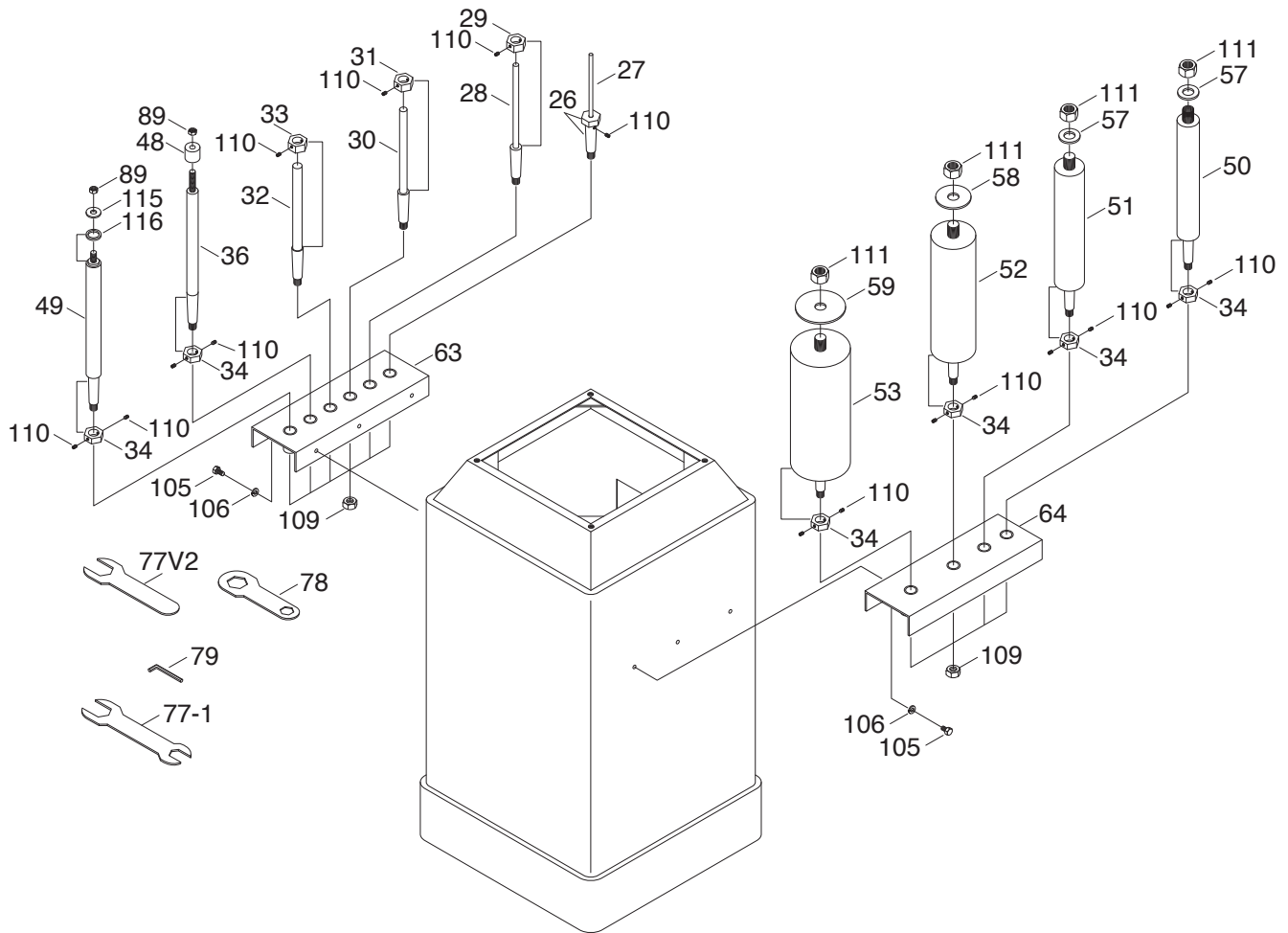
Main Parts List

REF	PART #	DESCRIPTION
1	P1071001	TABLE
2	P1071002	INSERT 1-3/4 X 2-3/16
3	P1071003	INSERT 2-3/16 X 3-1/2
4	P1071004	BRACKET
5	P1071005	TRUNNION
6	P1071006	INNER TRUNNION
7	P1071007	DUST HOOD
8	P1071008	HOUSING CASTING
8-1	P1071008-1	RUBBER STRIP
9	P1071009	DIP STICK
10	P1071010	SPINDLE CASTING
11	P1071011	COVER
12	P1071012	SPINDLE
13	P1071013	SPECIAL KEY 5 X 5 X 50
14	P1071014	JAM NUT 15/16-20
15	P1071015	SPANNER NUT 15/16-20
16	P1071016	WORM
17	P1071017	MOUNTING BRACKET
18	P1071018	BEARING BLOCK
19	P1071019	WORM GEAR 24T
20	P1071020	CONNECTING ROD
21	P1071021	WRIST PIN
22	P1071022	DRIVE SHAFT
23	P1071023	HUB
24	P1071024	CENTER BLOCK
25B	P1071025B	CASE V2.11.98
35	P1071035	GUIDE SHAFT
54	P1071054	HEX BOLT 3/8-16 X 6-1/2
55	PZERK2	GREASE FITTING M6-1 x 5
61	P1071061	POINTER MOUNT
62	P1071062	CABINET
65	P1071065	DOOR
66	P1071066	LOCK HANDLE
67	P1071067	SCALE
68	P1183108	RIVET
69	P1071069	OIL BREATHER
70	P1071070	KNOB
71	P1071071	GASKET

REF	PART #	DESCRIPTION
72	PSW06	PADDLE SWITCH 110/220V WITH KEY
73	P1071073	SWITCH-MOTOR CORD
74	P1071074	POWER CORD
75	P1071075	STRAIN RELIEF
76	P1071076	MOTOR
80	PB24	HEX BOLT 3/8-16 X 1-1/4
81	PB18	HEX BOLT 3/8-16 X 1
82V2	PLW06M	LOCK WASHER 10MM
83	PSS10	SET SCREW 1/4-20 X 5/8
84V2	PRP27M	ROLL PIN 5 X 28
85	PW02	FLAT WASHER 3/8
86	PN02	HEX NUT 5/16-18
87V2	PS41	PHLP HD SCR #6-32 X 1/4
88V2	PB24	HEX BOLT 3/8-16 X 1-1/4
89	PN08	HEX NUT 3/8-16
90	PCAP03	CAP SCREW 5/16-18 X 1
91	PLW01	LOCK WASHER 5/16
92V2	PCAP14	CAP SCREW 3/8-16 X 1
93	PCAP16	CAP SCREW 3/8-16 X 3/4
94	P6206	BALL BEARING 6206ZZ
95	P1071095	SEAL 30-62-8
96	PR38M	INT RETAINING RING 62MM
97	P6205ZZ	BALL BEARING 6205ZZ
98V2	P1071098V2	CAP SCREW #4-40 X 1/2 V2.01.02
99	PRP05M	ROLL PIN 5 X 30
100V2	PK23M	KEY 5 X 5 X 25
101V2	PSS02	SET SCREW 5/16-18 X 3/8
102	P1126153	OIL DRAIN PLUG
103	PN04	HEX NUT 5/8-11
104	PLW06	LOCK WASHER 5/8
107	PB03	HEX BOLT 5/16-18 X 1
108	PWF01	FENDER WASHER 5/16
112	PS01	PHLP HD SCR 10-24 X 1/2
113	PN07	HEX NUT 10-24
114	PCAP03	CAP SCREW 5/16-18 X 1
118	P1071118	INSERT 4-1/4 x 6
119	P1071119	SWITCH DUST COVER
121	PK22M	KEY 5 x 5 x 24



Base Breakdown & List

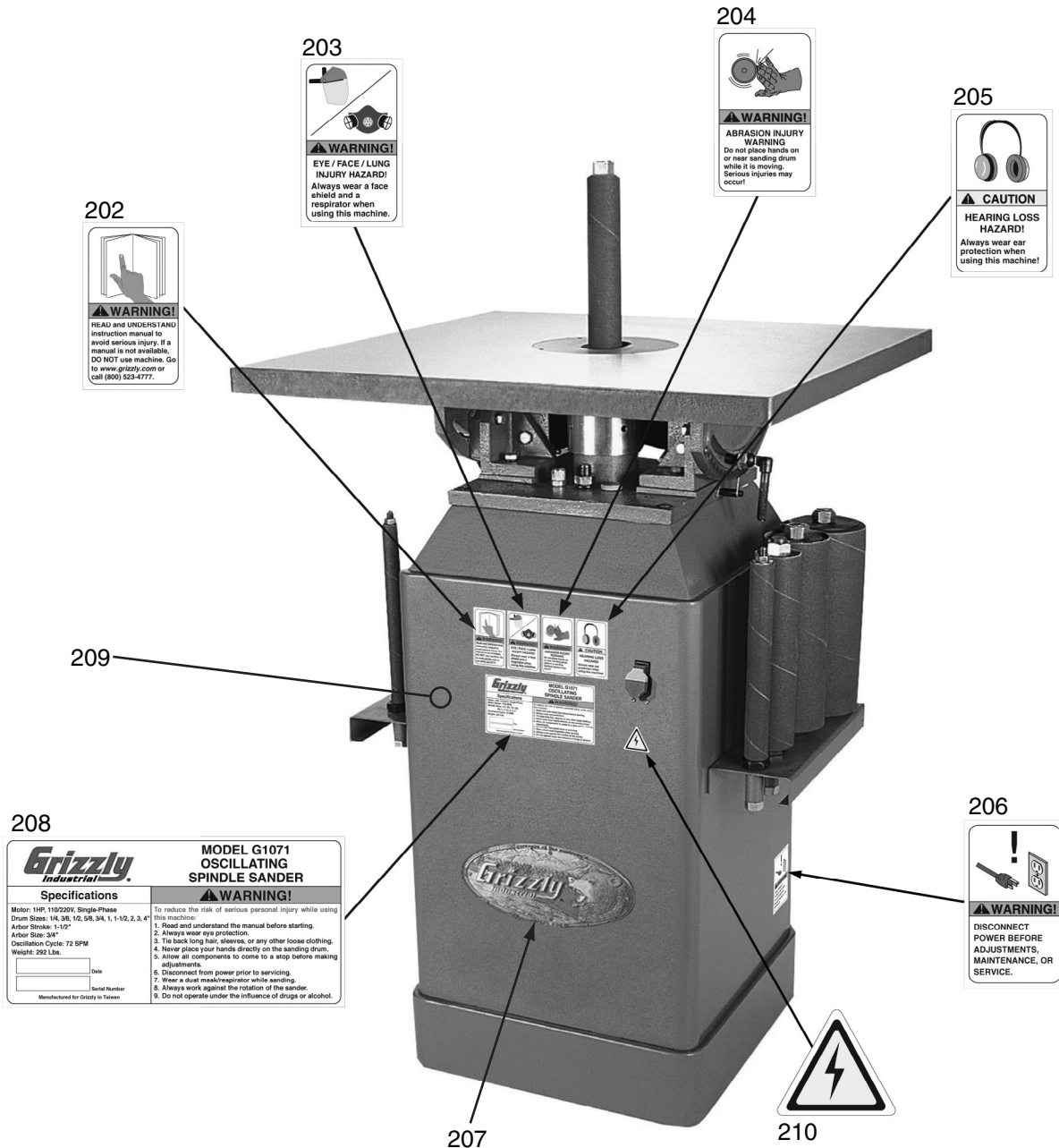


REF	PART #	DESCRIPTION
26	P1071026	ARBOR
27	P1071027	SPINDLE 1/4"
28	P1071028	SPINDLE 3/8"
29	P1071029	RETAINER
30	P1071030	SPINDLE 1/2"
31	P1071031	RETAINER
32	P1071032	SPINDLE 5/8"
33	P1071033	RETAINER
34	P1071034	RETAINER
36	P1071036	SPINDLE 3/4"
48	P1071048	RUBBER GROMMET
49	P1071049	SPINDLE 1"
50	P1071050	SPINDLE 1-1/2"
51	P1071051	SPINDLE 2"
52	P1071052	SPINDLE 3"
53	P1071053	SPINDLE 4"

REF	PART #	DESCRIPTION
57	P1071057	WASHER 36 X 19 X 3MM
58	P1071058	WASHER 60 X 19 X 3MM
59	P1071059	WASHER 85 X 19 X 3MM
63	P1071063	SPINDLE HOLDER
64	P1071064	SPINDLE HOLDER
77V2	P1071077V2	FLAT WRENCH 1-1/8 V2.01.02
77-1	P1071077-1	COMBO FLAT WRENCH 7/8 X 1-1/4"
78	P1071078	SPINDLE WRENCH 1 X 3/4"
79	PAW02M	HEX WRENCH 2MM
89	PN08	HEX NUT 3/8-16
105	PB19	HEX BOLT 1/4-20 X 1/2
106	PLW02	LOCK WASHER 1/4
110	PSS29	SET SCREW 10-24 X 1/4
111	PN03	HEX NUT 3/4-16
115	PW02	FLAT WASHER 3/8
116	P1071116	SPACER



Labels Breakdown



208

Grizzly Industrial	
MODEL G1071 OSCILLATING SPINDLE SANDER	
Specifications	WARNING!
Motor: 1HP, 110/220V, Single-Phase Drum Sizes: 1/4, 3/8, 1/2, 5/8, 3/4, 1, 1-1/2, 2, 3, 4" Arbor Stroke: 1-1/2" Arbor Size: 3/4" Oscillation Cycle: 72 SPM Weight: 292 Lbs.	To reduce the risk of serious personal injury while using this machine: 1. Read and understand the manual before starting. 2. Always wear eye protection. 3. Tie back long hair, sleeves, or any other loose clothing. 4. Never place your hands directly on the sanding drum. 5. Allow all components to come to a stop before making adjustments. 6. Disconnect from power prior to servicing. 7. Wear a dust mask/respirator while sanding. 8. Always work against the rotation of the sander. 9. Do not operate under the influence of drugs or alcohol.
Date: _____ Serial Number: _____ <small>Manufactured for Grizzly in Taiwan.</small>	

REF	PART #	DESCRIPTION
202	PLABEL-12A	READ MANUAL LABEL VL
203	PLABEL-56	FACE SHIELD RESPIRATOR LABEL VL
204	P1071204	SANDING DRUM INJURY LABEL
205	PLABEL-15	EAR PROTECTION LABEL VL
206	PLABEL-62	DISCONNECT LABEL VL

REF	PART #	DESCRIPTION
207	G8588	GRIZZLY NAMEPLATE SMALL
208	P1071208	MACHINE ID LABEL
209	PPAINT-1	GRIZZLY GREEN TOUCHUP PAINT
210	PLABEL-14	ELECTRICITY LABEL

WARNING

Safety labels warn about machine hazards and ways to prevent injury. The owner of this machine **MUST** maintain the original location and readability of the labels on the machine. If any label is removed or becomes unreadable, **REPLACE** that label before using the machine again. Contact Grizzly at (800) 523-4777 or www.grizzly.com to order new labels.

