

PARTS LIST

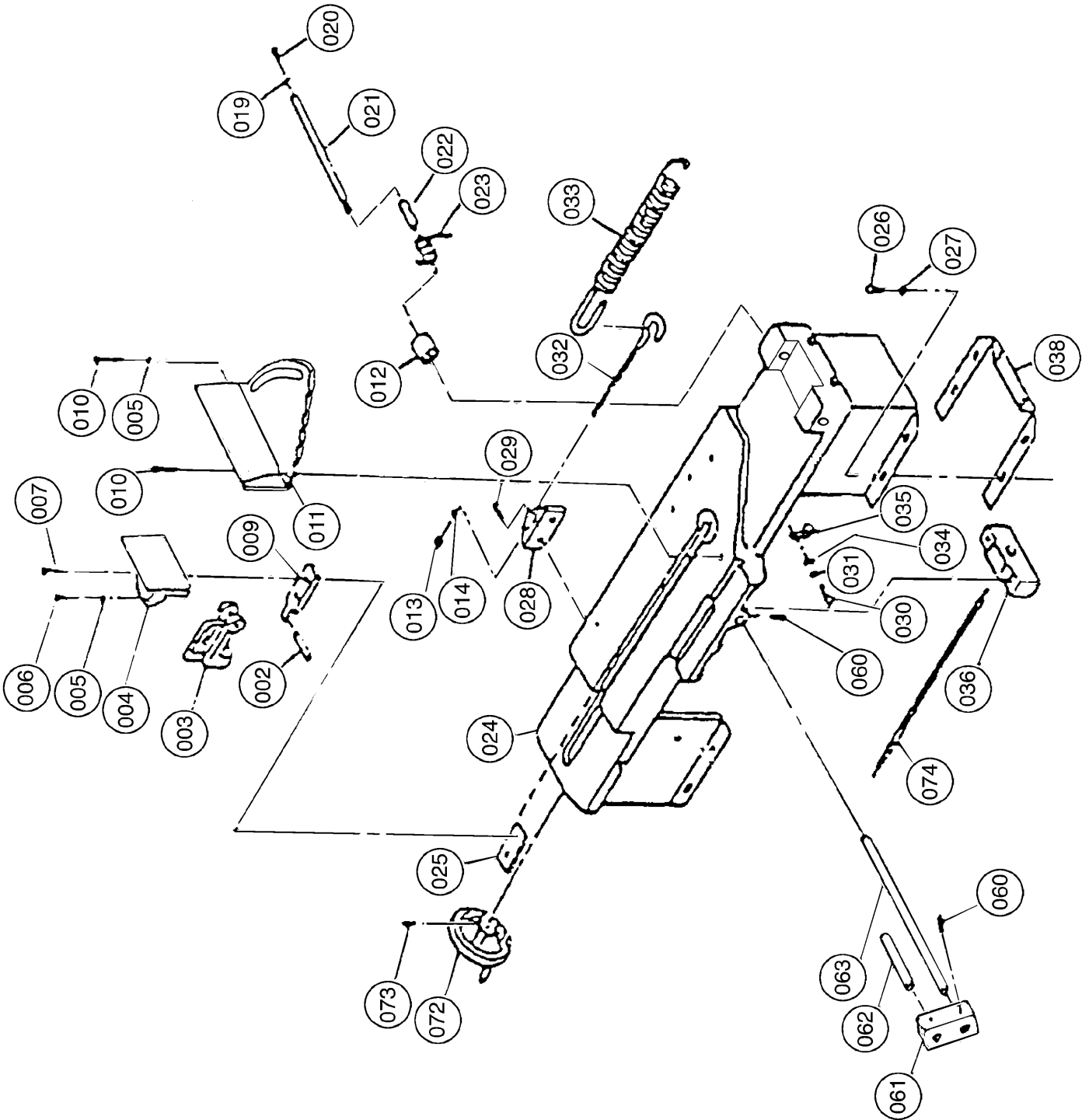
REF	PART #	DESCRIPTION
002	P1011Z002	DOWEL PIN
003	P1011Z003	RAPID NUT
004	P1011Z004	MOVABLE JAW
005	PW01M	WASHER 8mm
006	PSB45M	CAP SCR M8-1.25 x 45mm
007	PSB45M	CAO SCR M8-1.25 x 45mm
009	P1011Z009	MOVABLE JAW SUBPLATE
010	PSB44M	CAP SCR M10-1.5 x 28mm
011	P1011Z011	FIXED JAW
012	P1011Z012	PIVOT SHAFT NUT
013	P1011Z013	NUT
014	PW01	FLAT WASHER 1/2"
019	PW01M	FLAT WASHER 8mm
020	PB03M	HEX BOLT M8-1.25 x 16mm
021	P1011Z021	PIVOT SHAFT
022	P1011Z022	SLEEVE
023	P1011Z023	TORSION SPRING
024	P1011Z024	TABLE
025	P1011Z025	RETAINING PLATE
026	PB07M	HEX BOLT M8-1.25 x 25mm
027	PW01M	FLAT WASHER 8mm
028	P1011Z028	FEED SUPPORT BRACKET
029	PB07M	HEX BOLT M8-1.25 x 25mm
030	PSB13M	CAP SCR M8-1.25 x 30
031	PLW04M	LOCK WASHER 8mm
032	P1011Z032	EYE BOLT
033	P1011Z033	FEED SPRING
034	PW01M	FLAT WASHER 8mm
035	P1011Z035	HOSE CLAMP
036	P1011Z036	SPINDLE BRACKET
038	P1011Z038	GASKET
060	P1011Z060	SETSCREW
061	P1011Z061	WORK STOP ARM
062	P1011Z062	UPPER WORK STOP ROD
063	P1011Z063	LOWER WORK STOP ROD
072	P1011Z072	HAND WHEEL
073	P1011Z073	SETSCREW
074	P1011Z074	CLAMP SPINDLE
079	P1011Z079	PUMP
102	PSB540M	CAP SCR M5-.8 x 10mm
103	P1011Z103	BLADE GUARD

REF	PART #	DESCRIPTION
113	P1011Z113	SAW BOW
114	P1011Z114	TILT ARM
117	P1011Z117	PIN
118	P1011Z118	RETAINING RING
119	P1011Z119	CYLINDER PIVOT BRKT
122	P1011Z122	HYDRAULIC CYLINDER
126	P1011Z126	DRIVE WHEEL COVER
130	P1011Z130	BRACKET
132	P1011Z132	BRUSH SPACER
133	P1011Z133	CHIP BRUSH
134	P1011Z134	SHOULDER SCREW
136	P1011Z136	IDLER WHEEL COVER
144	P1011Z144	COLUMN BLADE COVER
145	P1011Z145	NOZZLE
146	PSB07M	CAP SCR M6-1 x 30mm
147	P1011Z147	COOLANT MOUNT
148	P1011Z148	BARB FITTING
150	P1011Z150	HOSE
151	P1011Z151	BLADE
201	PRP03M	ROLL PIN M5 x 20mm
202	P1011Z202	HANDLE
203	P1011Z203	THREADED ROD
204	PB07M	HEX BOLT M8-1.25 x 25mm
205	P1011Z205	TENSION BLOCK
207	P1011Z207	ROLL PIN
208	PN01M	HEX NUT M6-1
209	PSB30M	CAP SCREW M6-1 x 45mm
210	P1011Z210	YOKE AND SHAFT ASSY
211	P1011Z211	SLIDE
213	P1011Z213	THRUST BEARING
214	P1011Z214	IDLER WHEEL
215	P1011Z215	BRONZE BEARING
217	P1011Z217	RETAINING RING
218	P1011Z218	SLIDE PLATE
219	PSB01M	CAP SCREW M6-1 x 16mm
220	PB26M	HEX BOLT M8-1.25 x 30mm
221	PB18M	HEX BOLT M6-1 x 15mm
222	P1011Z222	GIB
223	PSB07M	CAP SCREW M6-1 x 30mm

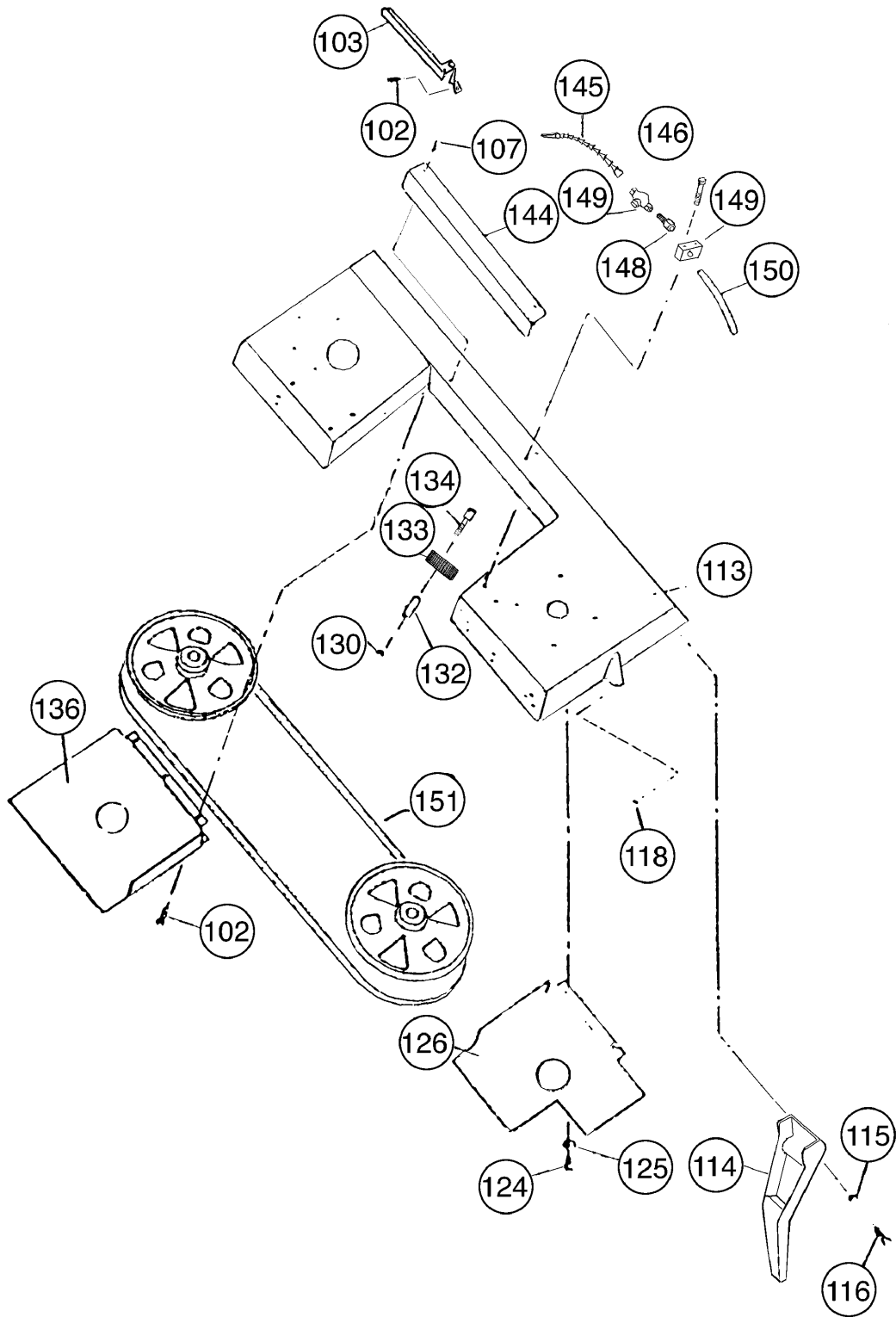
REF	PART #	DESCRIPTION
224	PW03M	FLAT WASHER
301	P1011Z301	KNOB
302	P1011Z302	GUIDE BAR COVER
303	PSB31M	CAP SCR M8-1.25 x 25mm
304	P1011Z304	SETSCREW
305	P1011Z305	GUIDE BAR
308	P1011Z308	DOWEL PIN
309	P1011Z309	BLADE GUIDE BRACKET
310	P1011Z310	STRAIGHT BUSHING
312	P1011Z312	ECCENTRIC BUSHING
313	PSB13M	CAP SCR M8-1.25 x 30mm
314	PW01M	FLAT WASHER 8mm
316	P1011Z316	BLADE GUIDE SUBPLATE
318	P1011Z318	GUIDE BAR CRADLE
319	PSS12M	SETSCREW M6-1 x 25mm
320	PN01M	HEX NUT M6-1
321	P1011Z321	GIB
401	P1011Z401	BACK PANEL
402	P1011Z402	DRIVE PULLEY
403	PVM34	V-BELT M34 3L340
404	P1011Z404	BELT GUARD
405	P1011Z405	STUD
406	PW01M	FLAT WASHER 8mm
407	P1011Z407	KNOB-PULLEY COVER
408	P1011Z408	MOTOR PULLEY
409A	P1011Z409A	MOTOR MOUNT
409B	P1011Z409B	MOTOR MOUNT
410	P1011Z410	MOTOR MOUNT PLATE
411	P1011Z411	MOTOR 1 HP
412	PLW05M	LOCK WASHER 12mm
413	PSB36M	CAP SCR M12-1.75 x 25mm
414	P1011Z414	DRIVE WHEEL
415	P1011Z415	SPEED REDUCER
416	PSB47M	CAP SCR M10-1.5 x 30mm
417	PSS05M	SETSCREW M5-.8 x 10mm
418	PB31M	HEX BOLT M10-1.5 x 40mm
420	PB03M	HEX BOLT M8-1.25 x 16mm
421	PLW04M	LOCK WASHER 8mm

REF	PART #	DESCRIPTION
422	PW01M	FLAT WASHER 8mm
423	P1011Z423	KNOB-MTR ADJUST PLATE
424	PW01	FLAT WASHER 1/2"
428	PB03M	M8-1.25 x 16mm
429	PLW04M	LOCK WASHER 8mm
430	PW01M	FLAT WASHER 8mm
501	PSB13M	CAP SCR M8-1.25 x 30mm
502	PW01M	FLAT WASHER 8mm
503	P1011Z503	BLADE GUIDE BRACKET
506	PSB12M	CAP SCR M8-1.25 x 40mm
507	P1011Z507	GUIDE BAR
509	P1011Z509	DOWEL PIN
510	PSS24M	SETSCREW M5-.8 x 20mm
511	P1011Z511	JAM NUT
512	P1011Z512	ECCENTRIC BUSHING
513	P1011Z513	BEARING
514	P1011Z514	STRAIGHT BUSHING
515	P1011Z515	SOC HD CAP SCREW
516	P1011Z516	BEARING
517	P1011Z517	SPACER
601	P1011Z601	FLOW CONTROL VALVE
602	P1011Z602	90 DEG CONNECTOR
603	P1011Z603	STRAIGHT CONNECTOR
604	P1011Z604	HYDRAULIC HOSE
605	P1011Z605	HYDRAULIC CYLINDER
606	P1011Z606	CLEVIS
607	P1011Z607	LOCKNUT
608	P1011Z608	PIN
609	P1011Z609	SNAP RING
610	P1011Z610	SNAP RING
611	P1011Z611	SHAFT

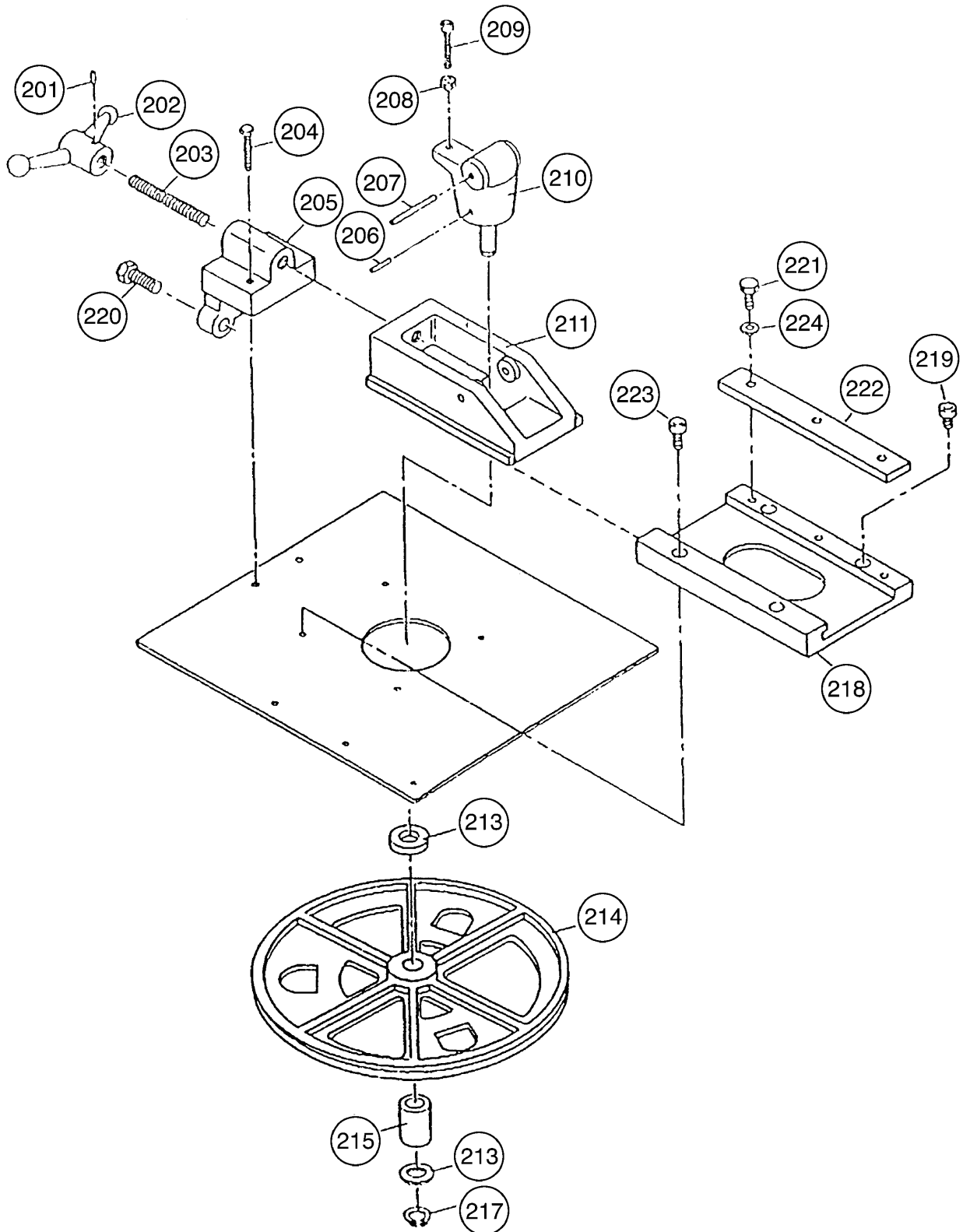
MAIN BODY



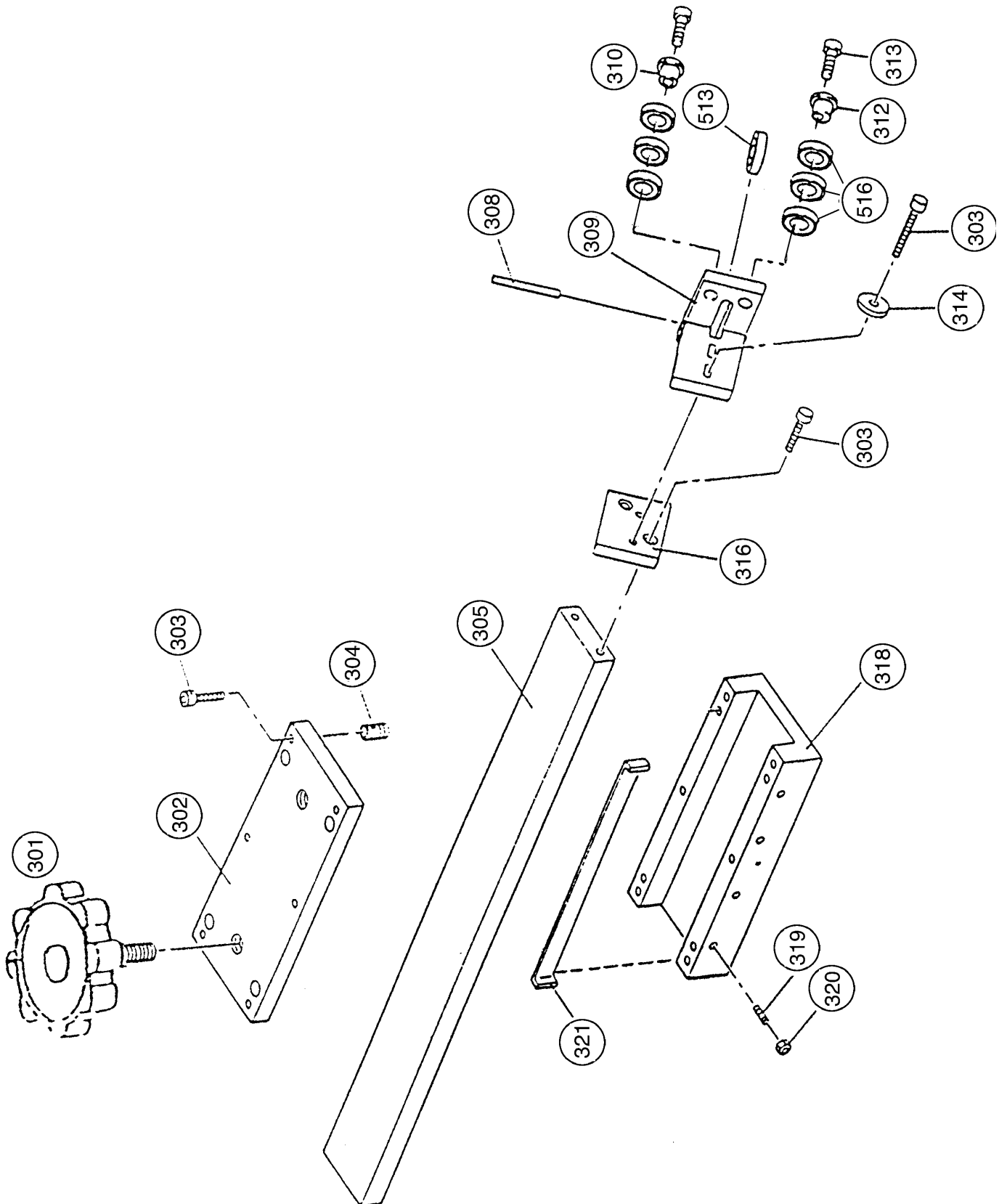
SAW BOW ASSEMBLY



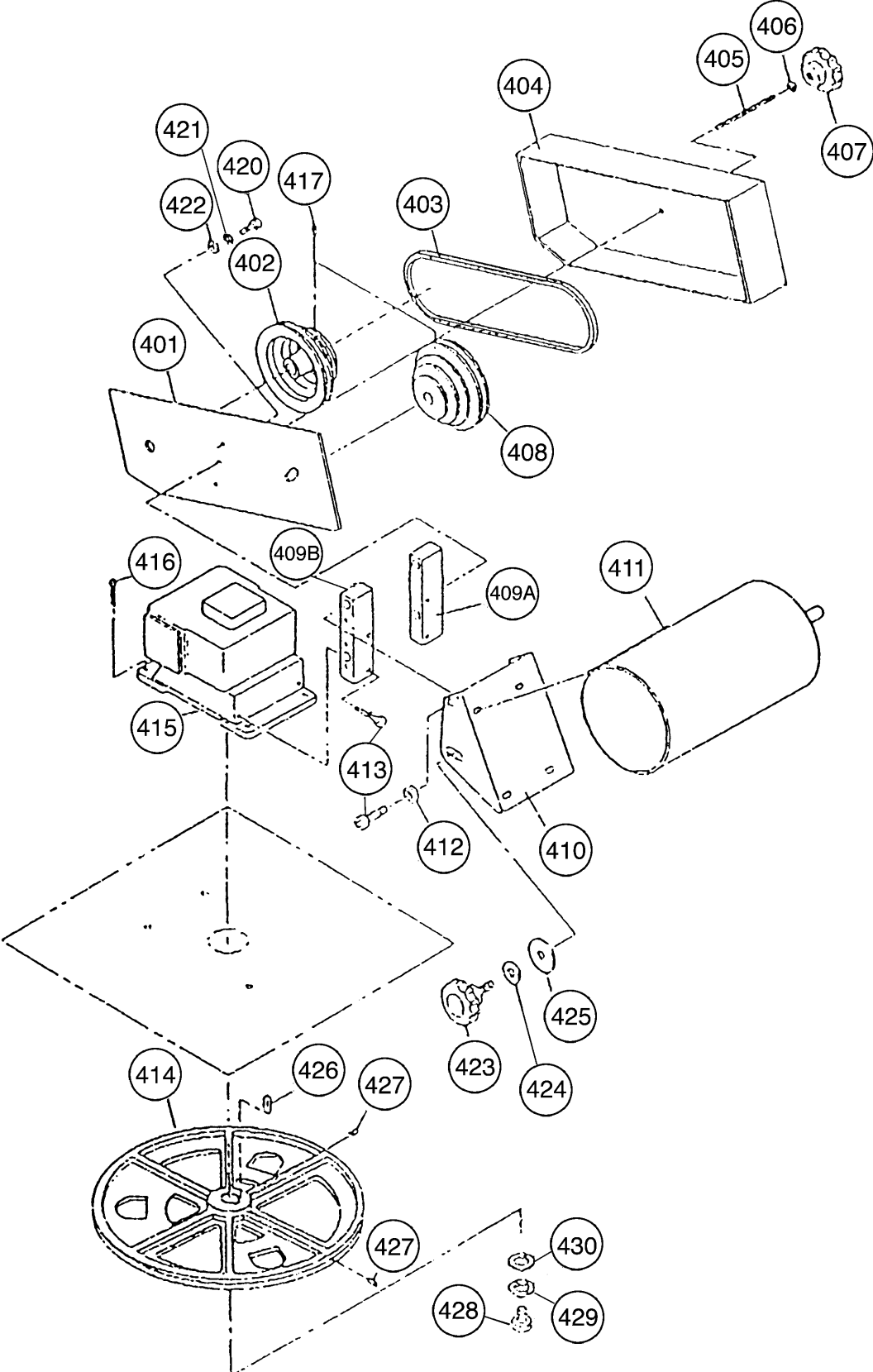
UPPER WHEEL ASSEMBLY



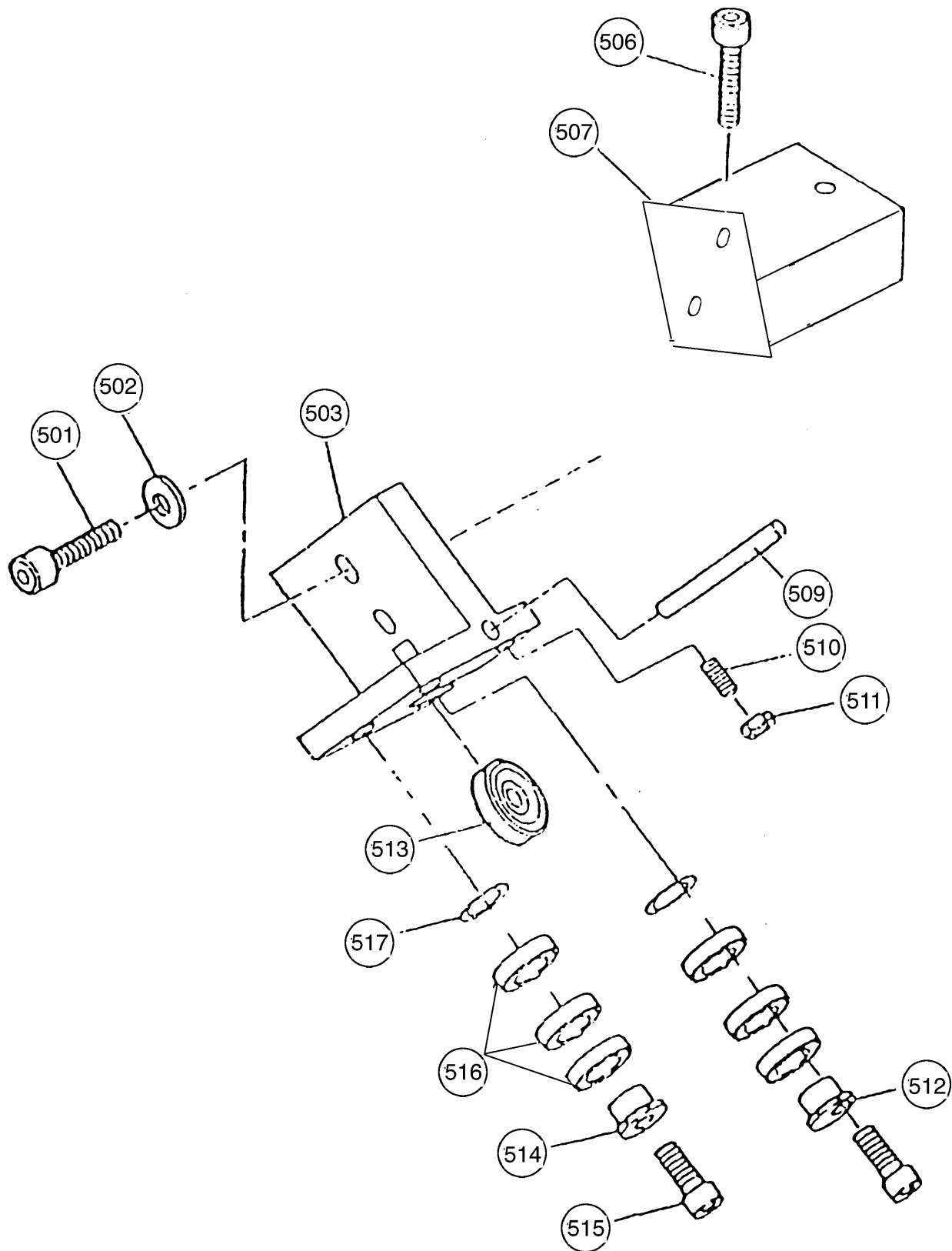
UPPER GUIDE ASSEMBLY



GEAR BOX & MOTOR



LOWER GUIDE ASSEMBLY



HYDRAULICS

