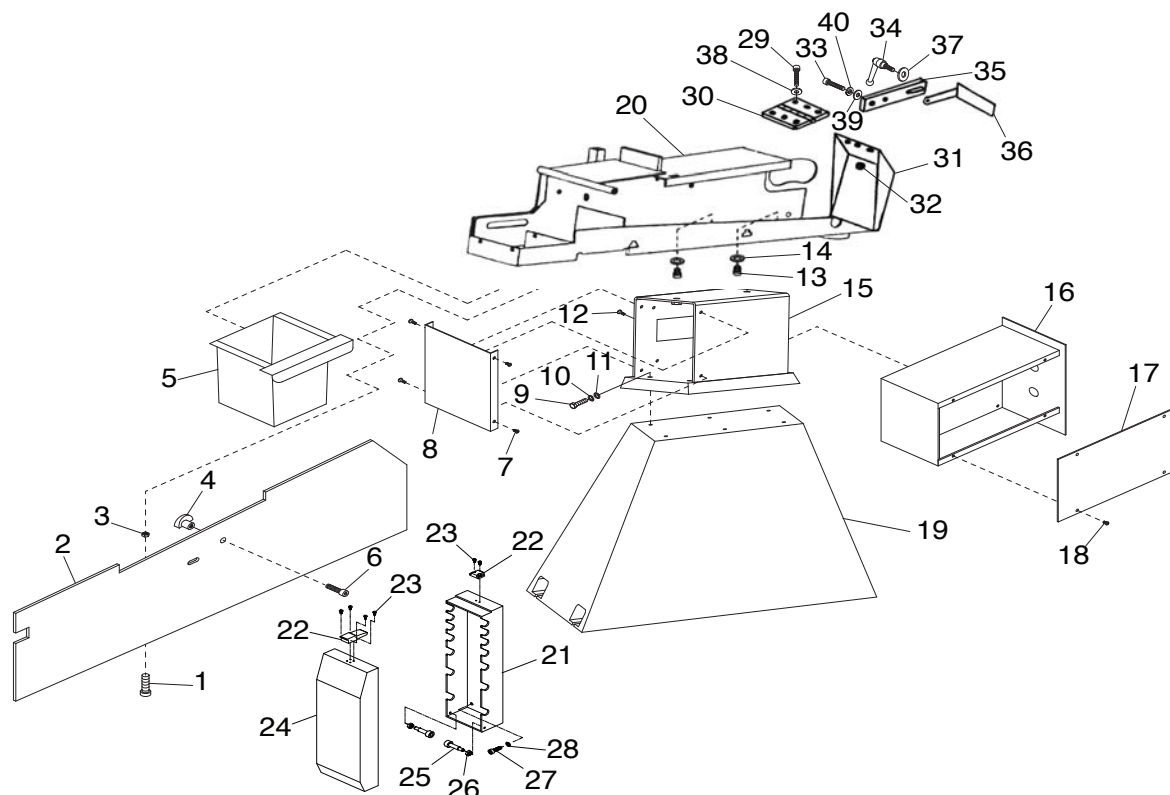


# SECTION 9: PARTS

We do our best to stock replacement parts when possible, but we cannot guarantee that all parts shown are available for purchase. Call (800) 523-4777 or visit [www.grizzly.com/parts](http://www.grizzly.com/parts) to check for availability.

## Body

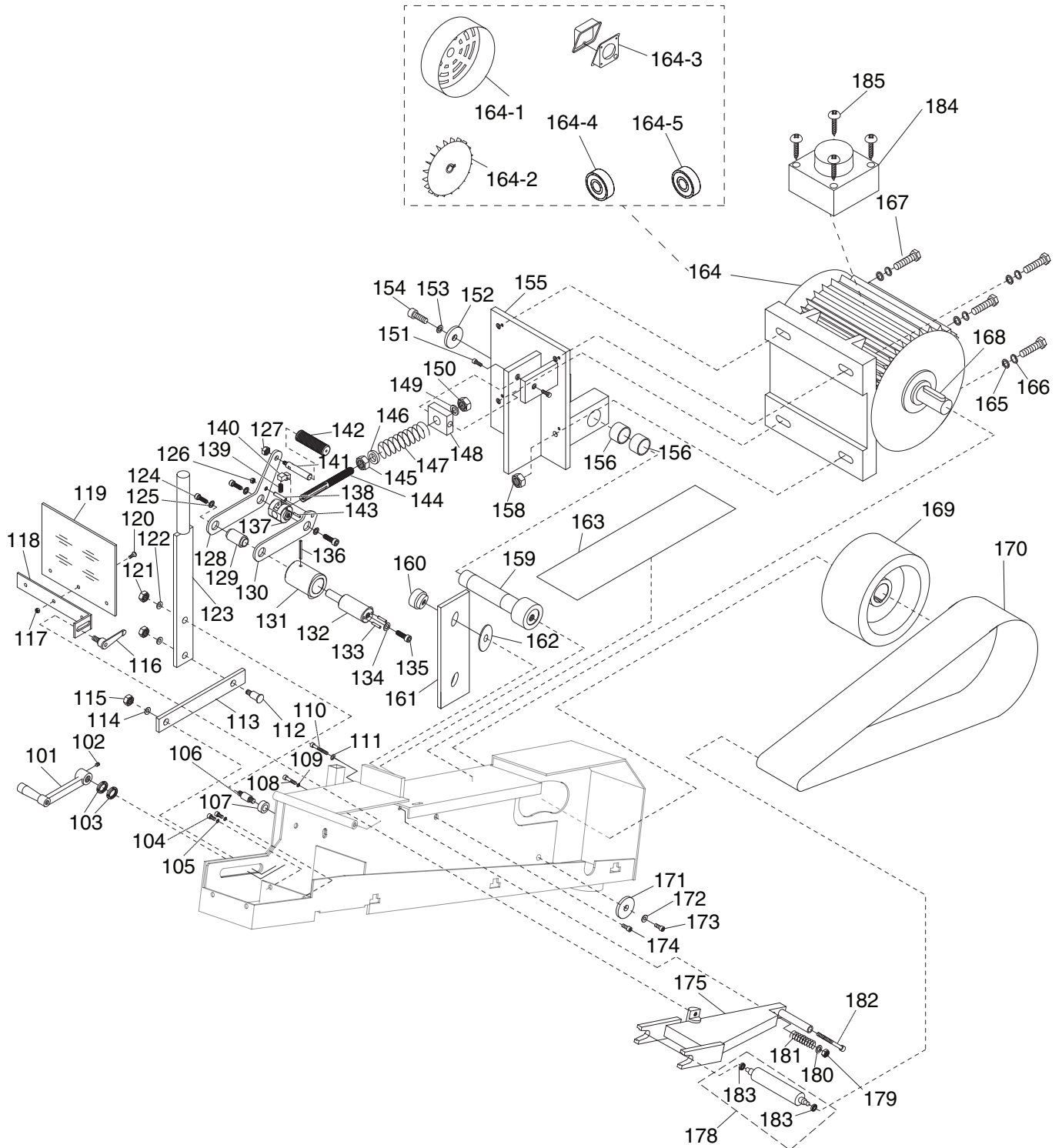


REF	PART #	DESCRIPTION
1	P0767Z001	CAP SCREW M5-.8 X 12
2	P0767Z002	BELT COVER (SIDE)
3	P0767Z003	HEX NUT M5-.8
4	P0767Z004	BELT COVER LATCH
5	P0767Z005	SPARK TRAP
6	P0767Z006	CAP SCREW M8-1.25 X 12
7	P0767Z007	PHLP HD SCR M5-.8 X 8
8	P0767Z008	RISER FRONT PLATE
9	P0767Z009	HEX BOLT M8-1.25 X 20
10	P0767Z010	LOCK WASHER 8MM
11	P0767Z011	FLAT WASHER 8MM
12	P0767Z012	PHLP HD SCR M6-1 X 10
13	P0767Z013	CAP SCREW M12-1.75 X 35
14	P0767Z014	FLAT WASHER 12MM
15	P0767Z015	RISER
16	P0767Z016	ELECTRICAL CABINET
17	P0767Z017	ELECTRICAL MOUNTING BOARD
18	P0767Z018	PHLP HD SCR M4-.7 X 6
19	P0767Z019	BASE
20	P0767Z020	BODY

REF	PART #	DESCRIPTION
21	P0767Z021	PROFILE ROLLER STORAGE RACK
22	P0767Z022	COVER LATCH
23	P0767Z023	PHLP HD SCR M3-.5 X 5
24	P0767Z024	STORAGE RACK COVER
25	P0767Z025	SHOULDER SCR M5-.8 X 8, 6 X 16
26	P0767Z026	HEX NUT M6-1
27	P0767Z027	CAP SCREW M8-1.25 X 20
28	P0767Z028	FLAT WASHER 8MM
29	P0767Z029	CAP SCREW M6-1 X 16
30	P0767Z030	HINGE
31	P0767Z031	REAR COVER
32	P0767Z032	HEX NUT M6-1
33	P0767Z033	CAP SCREW M8-1.25 X 16
34	P0767Z034	ADJUSTABLE HANDLE 90L, M10-1.5 X 17
35	P0767Z035	WORK REST MOUNTING PLATE
36	P0767Z036	WORK REST
37	P0767Z037	FENDER WASHER 10MM
38	P0767Z038	FLAT WASHER 6MM
39	P0767Z039	FLAT WASHER 8MM
40	P0767Z040	LOCK WASHER 8MM



# Motor & Belt Rollers



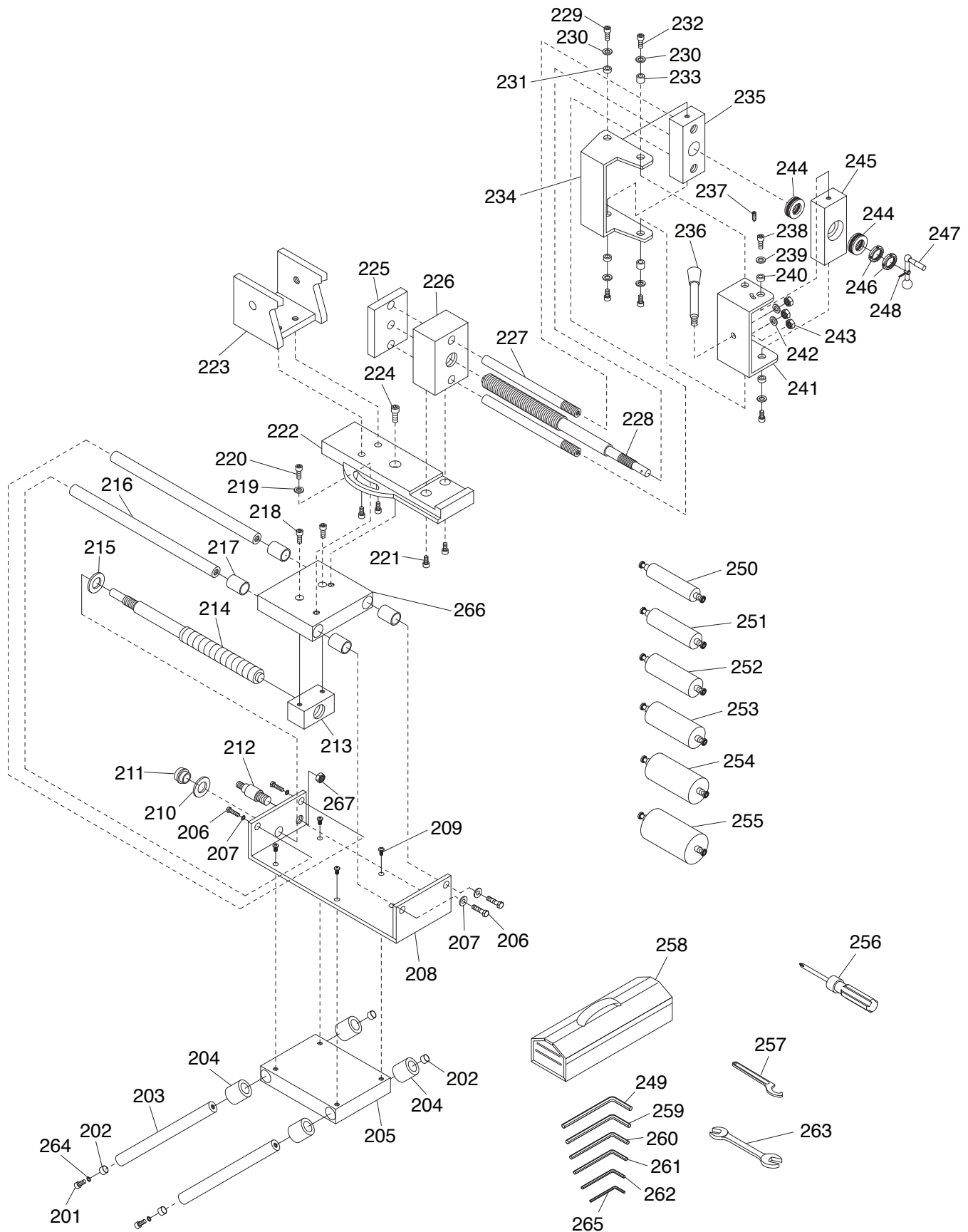
# Motor & Belt Rollers Parts List

REF	PART #	DESCRIPTION
101	P0767Z101	CRANK 5"L W/HANDLE
102	P0767Z102	SET SCREW M6-1 X 8 CONE-PT
103	P0767Z103	SPANNER NUT M12-1.25
104	P0767Z104	CAP SCREW M8-1.25 X 25
105	P0767Z105	FLAT WASHER 8MM
106	P0767Z106	STUD-DE M8-1.25 X 37, 9
107	P0767Z107	SPACER
108	P0767Z108	CAP SCREW M12-1.75 X 35
109	P0767Z109	FLAT WASHER 12MM
110	P0767Z110	CAP SCREW M8-1.25 X 100
111	P0767Z111	FLAT WASHER 8MM
112	P0767Z112	STEP BOLT M8-1.25 X 12
113	P0767Z113	CONNECTING BAR
114	P0767Z114	FLAT WASHER 8MM
115	P0767Z115	HEX NUT M8-1.25
116	P0767Z116	HANDLE 55L, M8-1.25 X 20
117	P0767Z117	HEX NUT M5-.8
118	P0767Z118	EYE SHIELD BRACKET
119	P0767Z119	EYE SHIELD (PLASTIC)
120	P0767Z120	PHLP HD SCR M5-.8 X 8
121	P0767Z121	HEX NUT M10-1.5
122	P0767Z122	FLAT WASHER 10MM
123	P0767Z123	LEVER W/GRIP
124	P0767Z124	CAP SCREW M8-1.25 X 14
125	P0767Z125	FENDER WASHER 8MM
126	P0767Z126	ACORN NUT M8-1.25
127	P0767Z127	ACORN NUT M10-1.5
128	P0767Z128	CONNECTING PLATE (LS)
129	P0767Z129	SUPPORT SLEEVE
130	P0767Z130	CONNECTING PLATE (RS)
131	P0767Z131	SPACER
132	P0767Z132	PIVOT SHAFT
133	P0767Z133	DOWEL PIN 6 X 16
134	P0767Z134	FENDER WASHER 12MM
135	P0767Z135	CAP SCREW M12-1.75 X 30
136	P0767Z136	ROLL PIN 6 X 50
137	P0767Z137	RATCHET SLEEVE
138	P0767Z138	BACKING PIN
139	P0767Z139	COMPRESSION SPRING 0.9 X 7 X 15
140	P0767Z140	PAWL
141	P0767Z141	HANDLE
142	P0767Z142	PUSH-ON HANDLE GRIP
143	P0767Z143	DOWEL PIN 5 X 20
144	P0767Z144	RATCHET SHAFT

REF	PART #	DESCRIPTION
145	P0767Z145	HEX NUT M16-2
146	P0767Z146	SPRING RETAINER
147	P0767Z147	COMPRESSION SPRING 1.4 X 20 X 35
148	P0767Z148	SPRING BASE
149	P0767Z149	FLAT WASHER 16MM
150	P0767Z150	HEX NUT M16-2
151	P0767Z151	CAP SCREW M10-1.5 X 20
152	P0767Z152	FENDER WASHER 10MM
153	P0767Z153	FLAT WASHER 10MM
154	P0767Z154	CAP SCREW M10-1.5 X 20
155	P0767Z155	MOTOR MOUNT
156	P0767Z156	BUSHING (COPPER)
158	P0767Z158	HEX NUT M10-1.5
159	P0767Z159	PIVOT SHAFT W/FLANGE
160	P0767Z160	LIFTING BAR RETAINER
161	P0767Z161	LIFTING BAR
162	P0767Z162	SPACER
163	P0767Z163	BELT COVER (TOP)
164	P0767Z164	MOTOR 3HP 220V 3-PH
164-1	P0767Z164-1	MOTOR FAN COVER
164-2	P0767Z164-2	MOTOR FAN
164-3	P0767Z164-3	MOTOR JUNCTION BOX
164-4	P0767Z164-4	BALL BEARING 6205ZZ (FRONT)
164-5	P0767Z164-5	BALL BEARING 6205ZZ (REAR)
165	P0767Z165	FLAT WASHER 10MM
166	P0767Z166	LOCK WASHER 10MM
167	P0767Z167	HEX BOLT M10-1.5 X 40
168	P0767Z168	KEY 8 X 8 X 40
169	P0767Z169	DRIVE PULLEY
170	P0767Z170	SANDING BELT 4" X 79" 80-GRIT
171	P0767Z171	FENDER WASHER 12MM
172	P0767Z172	LOCK WASHER 12MM
173	P0767Z173	CAP SCREW M12-1.75 X 50
174	P0767Z174	CAP SCREW M12-1.75 X 30
175	P0767Z175	CONTACT ROLLER BRACKET
178	P0767Z178	CONTACT ROLLER 1" DIA W/BEARINGS
179	P0767Z179	HEX NUT M8-1.25
180	P0767Z180	FLAT WASHER 8MM
181	P0767Z181	COMPRESSION SPRING 1 X 12 X 19
182	P0767Z182	CAP SCREW M8-1.25 X 100
183	P0767Z183	BALL BEARING 6002-ZZ
184	P0767Z184	E-STOP BUTTON IDEC YW-E01
185	P0767Z185	WOOD SCREW M4 X 3



# Pipe Vise Assembly & Accessories



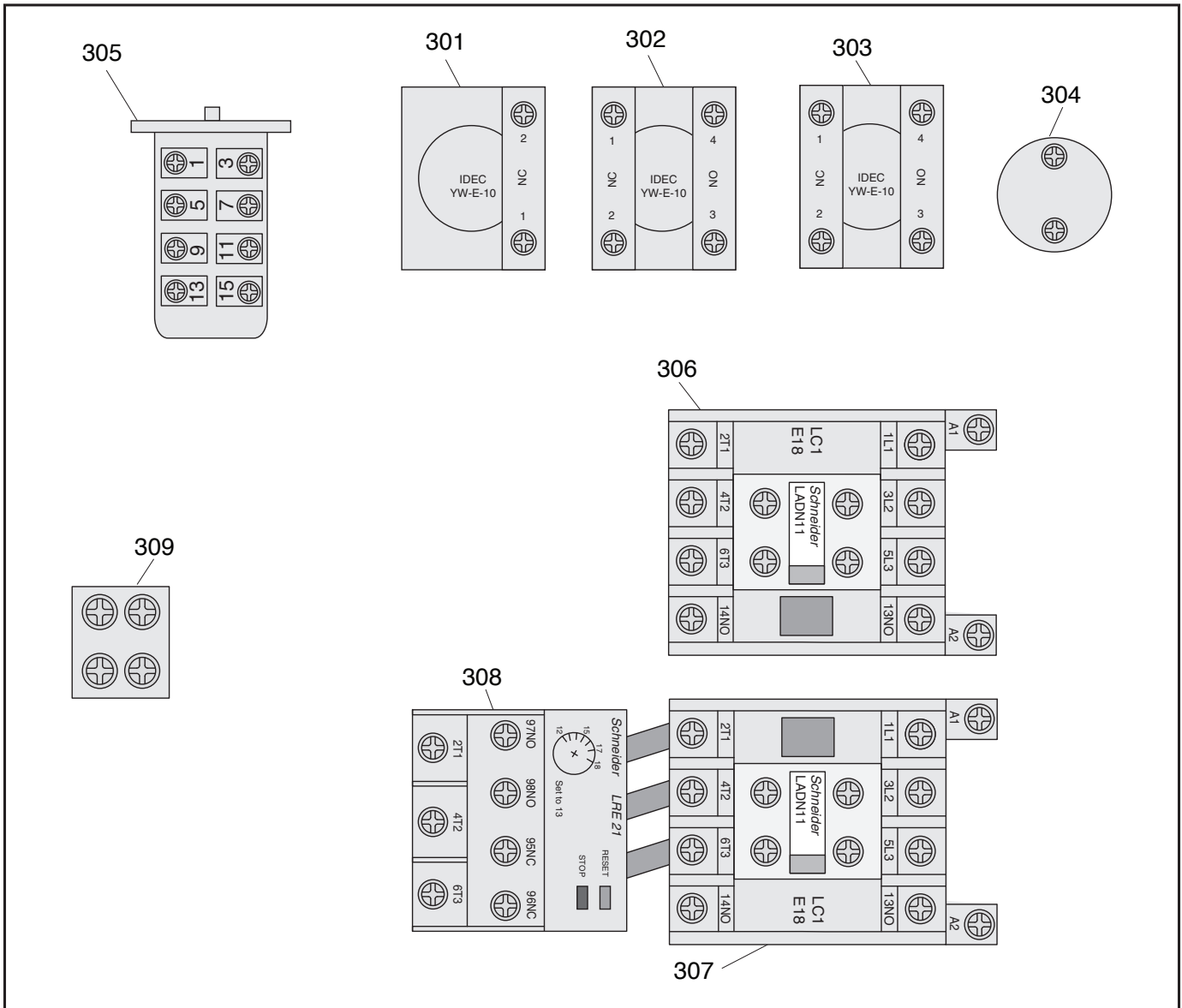
# Pipe Vise Assembly & Accessories Parts List

REF PART #	DESCRIPTION
201	P0767Z201 CAP SCREW M8-1.25 X 20
202	P0767Z202 BUSHING
203	P0767Z203 Y-AXIS SLIDE ROD
204	P0767Z204 BUSHING (COPPER)
205	P0767Z205 SLIDE BAR BRACKET (BOTTOM)
206	P0767Z206 HEX BOLT M8-1.25 X 20
207	P0767Z207 FLAT WASHER 8MM
208	P0767Z208 PIPE CLAMP BASE
209	P0767Z209 PHLP HD SCR M6-1 X 12
210	P0767Z210 FLAT WASHER 14MM
211	P0767Z211 LEADSCREW END CAP
212	P0767Z212 SLIDER SHAFT
213	P0767Z213 LONGITUDINAL LEADSCREW NUT
214	P0767Z214 LONGITUDINAL LEADSCREW
215	P0767Z215 FLAT WASHER 14MM
216	P0767Z216 X-AXIS SLIDE ROD
217	P0767Z217 GUIDE BAR BUSHING (COPPER)
218	P0767Z218 CAP SCREW M8-1.25 X 40
219	P0767Z219 FLAT WASHER 8MM
220	P0767Z220 CAP SCREW M8-1.25 X 20
221	P0767Z221 CAP SCREW M8-1.25 X 30
222	P0767Z222 ROTARY TABLE
223	P0767Z223 PIPE JAW
224	P0767Z224 CAP SCREW M10-1.5 X 30
225	P0767Z225 PIPE CLAMP PLATE
226	P0767Z226 PIPE CLAMP LEADSCREW NUT
227	P0767Z227 INT/EXT THREADED ROD
228	P0767Z228 PIPE CLAMP LEADSCREW
229	P0767Z229 CAP SCREW M6-1 X 16
230	P0767Z230 FLAT WASHER 6MM
231	P0767Z231 BUSHING
232	P0767Z232 CAP SCREW M6-1 X 20
233	P0767Z233 BUSHING
234	P0767Z234 PRESSURE BRACKET (LEFT)

REF PART #	DESCRIPTION
235	P0767Z235 MOVABLE BLOCK
236	P0767Z236 LEVER M8-1.25 X 20 W/KNOB
237	P0767Z237 SET SCREW M3-.5 X 10 CONE-PT
238	P0767Z238 CAP SCREW M6-1 X 16
239	P0767Z239 FLAT WASHER 6MM
240	P0767Z240 BUSHING
241	P0767Z241 PRESSURE BRACKET (RIGHT)
242	P0767Z242 FLAT WASHER 6MM
243	P0767Z243 HEX NUT M8-1.25
244	P0767Z244 THRUST BEARING 51101
245	P0767Z245 STATIONARY BLOCK
246	P0767Z246 SPANNER NUT M12-1.25
247	P0767Z247 CRANK 4"L W/HANDLE
248	P0767Z248 ROLL PIN 3 X 22
249	P0767Z249 HEX WRENCH 8MM
250	P0767Z250 PROFILE ROLLER 3/4" DIA W/BEARINGS
251	P0767Z251 PROFILE ROLLER 1-1/4" DIA W/BEARINGS
252	P0767Z252 PROFILE ROLLER 1-1/2" DIA W/BEARINGS
253	P0767Z253 PROFILE ROLLER 2" DIA W/BEARINGS
254	P0767Z254 PROFILE ROLLER 2-1/2" DIA W/BEARINGS
255	P0767Z255 PROFILE ROLLER 3" DIA W/BEARINGS
256	P0767Z256 SCREWDRIVER PHILLIPS #2
257	P0767Z257 SPANNER WRENCH 22-26MM
258	P0767Z258 TOOLBOX
259	P0767Z259 HEX WRENCH 6MM
260	P0767Z260 HEX WRENCH 5MM
261	P0767Z261 HEX WRENCH 4MM
262	P0767Z262 HEX WRENCH 3MM
263	P0767Z263 WRENCH 13 X 16MM OPEN-ENDS
264	P0767Z264 FLAT WASHER 8MM
265	P0767Z265 HEX WRENCH 2.5MM
266	P0767Z266 SLIDE BAR BRACKET (TOP)
267	P0767Z267 HEX NUT M12-1.75



# Electrical Box

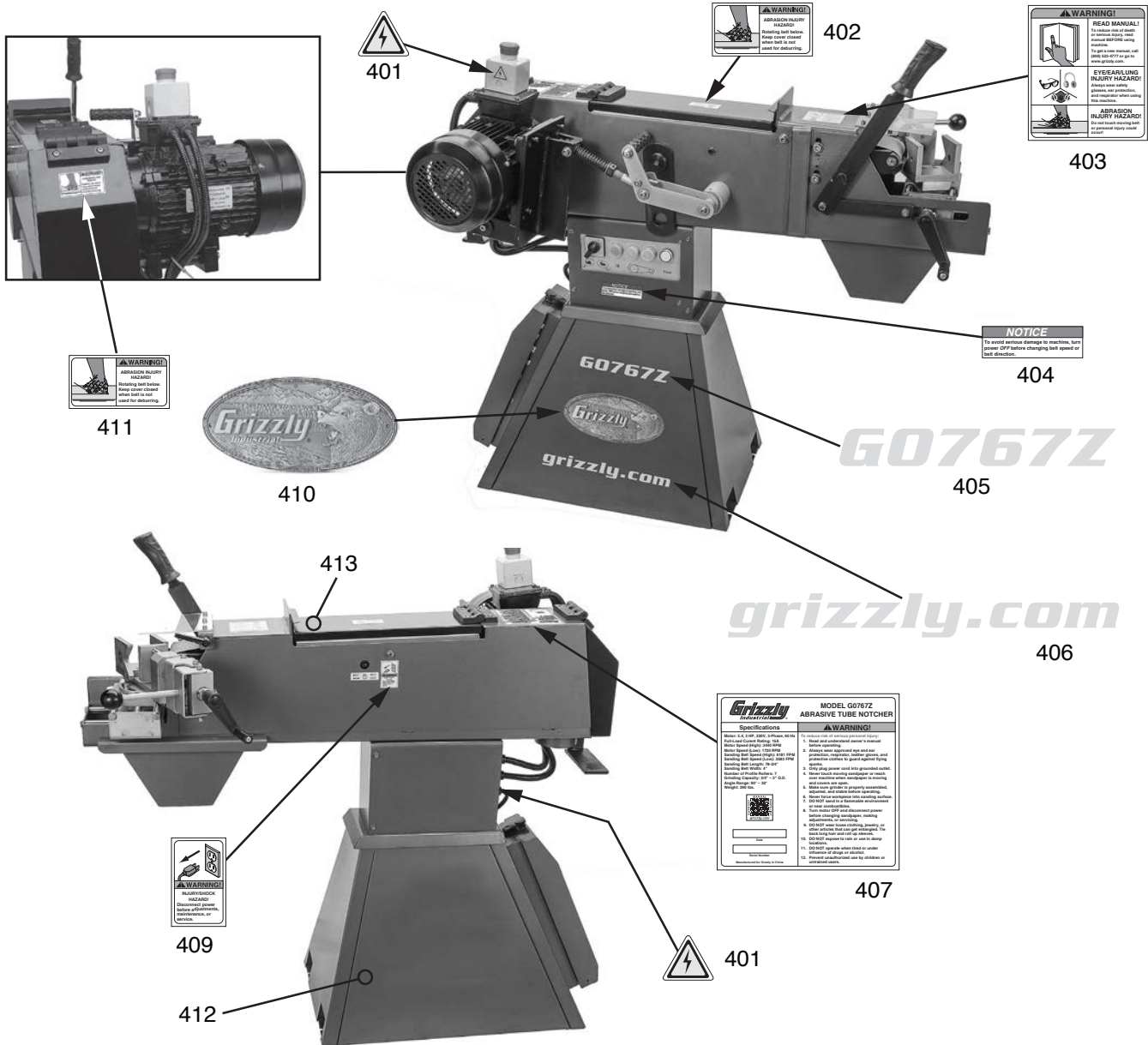


REF	PART #	DESCRIPTION
301	P0767Z301	OFF BUTTON IDEC YW-E-10 22MM RED
302	P0767Z302	ON BUTTON IDEC YW-E-10 22MM GRN
303	P0767Z303	ON BUTTON IDEC YW-E-10 22MM GRN
304	P0767Z304	POWER LAMP ONPOW AD16-22DS AC220V
305	P0767Z305	ROTARY SWITCH GLELE LW28-20A 1/2 22MM

REF	PART #	DESCRIPTION
306	P0767Z306	CONTACTOR SCHNEIDER LADN11 220V
307	P0767Z307	CONTACTOR SCHNEIDER LADN11 220V
308	P0767Z308	OL RELAY SCHNEIDER LRE21N 12-18A
309	P0767Z309	TERMINAL BAR 2P



# Labels & Cosmetics



REF	PART #	DESCRIPTION
401	P0767Z401	ELECTRICITY LABEL
402	P0767Z402	ABRASION INJURY HAZARD LABEL
403	P0767Z403	WARNING LABEL
404	P0767Z404	BELT SPEED NOTICE LABEL
405	P0767Z405	MODEL NUMBER LABEL
406	P0767Z406	GRIZZLY.COM LABEL

REF	PART #	DESCRIPTION
407	P0767Z407	MACHINE ID LABEL
409	P0767Z409	DISCONNECT POWER LABEL
410	P0767Z410	GRIZZLY NAMEPLATE
411	P0767Z411	ABRASION INJURY HAZARD LABEL
412	P0767Z412	TOUCH-UP PAINT, GRIZZLY GREEN
413	P0767Z413	TOUCH-UP PAINT, GLOSSY BLACK

## WARNING

Safety labels help reduce the risk of serious injury caused by machine hazards. If any label comes off or becomes unreadable, the owner of this machine **MUST** replace it in the original location before resuming operations. For replacements, contact (800) 523-4777 or [www.grizzly.com](http://www.grizzly.com).

