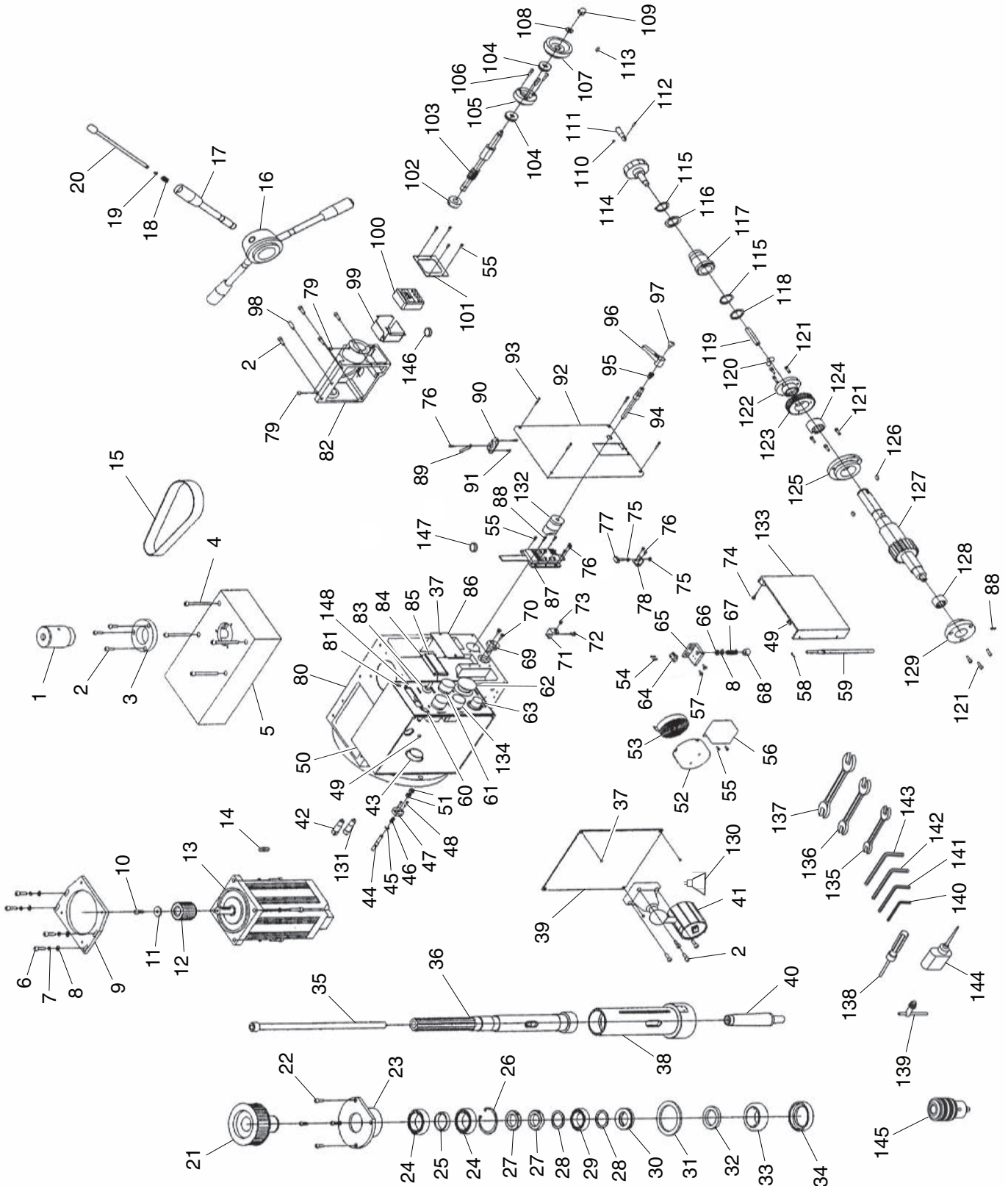


SECTION 9: PARTS

Head Breakdown



Head Parts List

REF	PART #	DESCRIPTION
1	P0720001	DRAWBAR COVER
2	PCAP24M	CAP SCREW M5-.8 X 16
3	P0720003	FLANGE
4	PCAP49M	CAP SCREW M6-1 X 60
5	P0720005	TOP HEAD COVER
6	PCAP02M	CAP SCREW M6-1 X 20
7	PLW03M	LOCK WASHER 6MM
8	PW03M	FLAT WASHER 6MM
9	P0720009	SPINDLE MOTOR MOUNTING PLATE
10	PCAP27M	CAP SCREW M6-1 X 14
11	P0720011	MOTOR FLAT WASHER 6MM
12	P0720012	MOTOR PULLEY
13	P0720013	SPINDLE MOTOR 2HP 220VDC
14	PK143M	KEY 6 X 6 X 25
15	P0720015	RIBBED BELT GATES 535-5M-25
16	P0720016	COARSE DOWNFEED LEVER HUB
17	P0720017	COARSE DOWNFEED LEVER
18	P0720018	COMPRESSION SPRING 0.8 X 6 X 25
19	PR45M	INT RETAINING RING 10MM
20	P0720020	SPINDLE ROTATION BUTTON
21	P0720021	SPINDLE PULLEY
22	PS57M	PHLP HD SCR M5-.8 X 14
23	P0720023	BEARING FLANGE
24	P6908ZZ	BALL BEARING 6908ZZ
25	P0720025	BEARING SPACER
26	PR38M	INT RETAINING RING 62MM
27	P0720027	SPANNER NUT
28	P0720028	BEARING SPACER
29	P6907ZZ	BALL BEARING 6907ZZ
30	P8107	THRUST BEARING 8107
31	P0720031	BEARING SPACER
32	P0720032	BEARING SEAL
33	P32008	TAPERED ROLLER BEARING 32008
34	P0720034	BOTTOM QUILL SEAL
35	P0720035	DRAWBAR 7/16-20 X 13-1/2
36	P0720036	SPINDLE R8
37	P0720037	TAP SCREW 2.9 X 6.5
38	P0720038	QUILL
39	P0720039	CONTROL PANEL SIDE COVER
40	P0720040	CHUCK ARBOR R8-B18
41	P0720041	WORK LIGHT ASSEMBLY
42	P0720042	FUSE 1A FAST-BLOW 5 X 20MM
43	P0720043	STRAIN RELIEF
44	P0720044	TAPER PIN
45	PEC13M	E-CLIP 5MM

REF	PART #	DESCRIPTION
46	P0720046	COMPRESSION SPRING 0.8 X 10 X 14
47	P0720047	FLANGE PLASTIC
48	PS59M	PHLP HD SCR M3-.5 X 14
49	PS74M	PHLP HD SCR M4-.7 X 14
50	P0720050	CONTROL PANEL BOX
51	PN01M	HEX NUT M6-1
52	P0720052	SPRING COVER
53	P0720053	TORSION RETURN SPRING
54	PS117M	PHLP HD SCR M2-.4 X 10
55	PS79M	PHLP HD SCR M3-.5 X 8
56	P0720056	GUARD AXLE BRACKET
57	PS38M	PHLP HD SCR M4-.7 X 10
58	PS111M	PHLP HD SCR M3-.5 X 4
59	P0720059	GUARD AXLE
60	P0720060	POWER LAMP ZD10
61	P0720061	START BUTTON LAY7
62	P0720062	EMERGENCY STOP BUTTON LAY7
63	P0720063	SPINDLE SPEED DIAL
64	P0720064	GUARD SAFETY SWITCH
65	P0720065	SAFETY SWITCH BRACKET
66	PN01M	HEX NUT M6-1
67	P0720067	COMPRESSION SPRING 1.4 X 8.2 X 24
68	P0720068	BUSHING
69	P0720069	FLANGE
70	PS02M	PHLP HD SCR M4-.7 X 12
71	P0720071	STOP DOG
72	PS38M	PHLP HD SCR M4-.7 X 10
73	P0720073	MAGNET
74	PS07M	PHLP HD SCR M4-.7 X 8
75	PN04M	HEX NUT M4-.7
76	PS37M	PHLP HD SCR M6-1 X 6
77	P0720077	SCALE SCREW
78	P0720078	DIGITAL SCALE BRACKET
79	PLUBE001M	TAP-IN BALL OILER 6MM
80	P0720080	HEAD CASTING
81	P0720081	CONTROL PANEL PLATE
82	P0720082	WORM GEAR COVER
83	P0720083	MODE TOGGLE SWITCH
84	P0720037	TAP SCREW 2.9 X 6.5
85	P0720085	LCD SCREEN Y-2
86	P0720086	SPINDLE SPEED READOUT
87	P0720087	DIGITAL SPINDLE HEIGHT SCALE
88	P0720088	PIN 3 X 12 PLASTIC
89	P0720089	BUS BAR
90	P0720090	CONTACT RACK



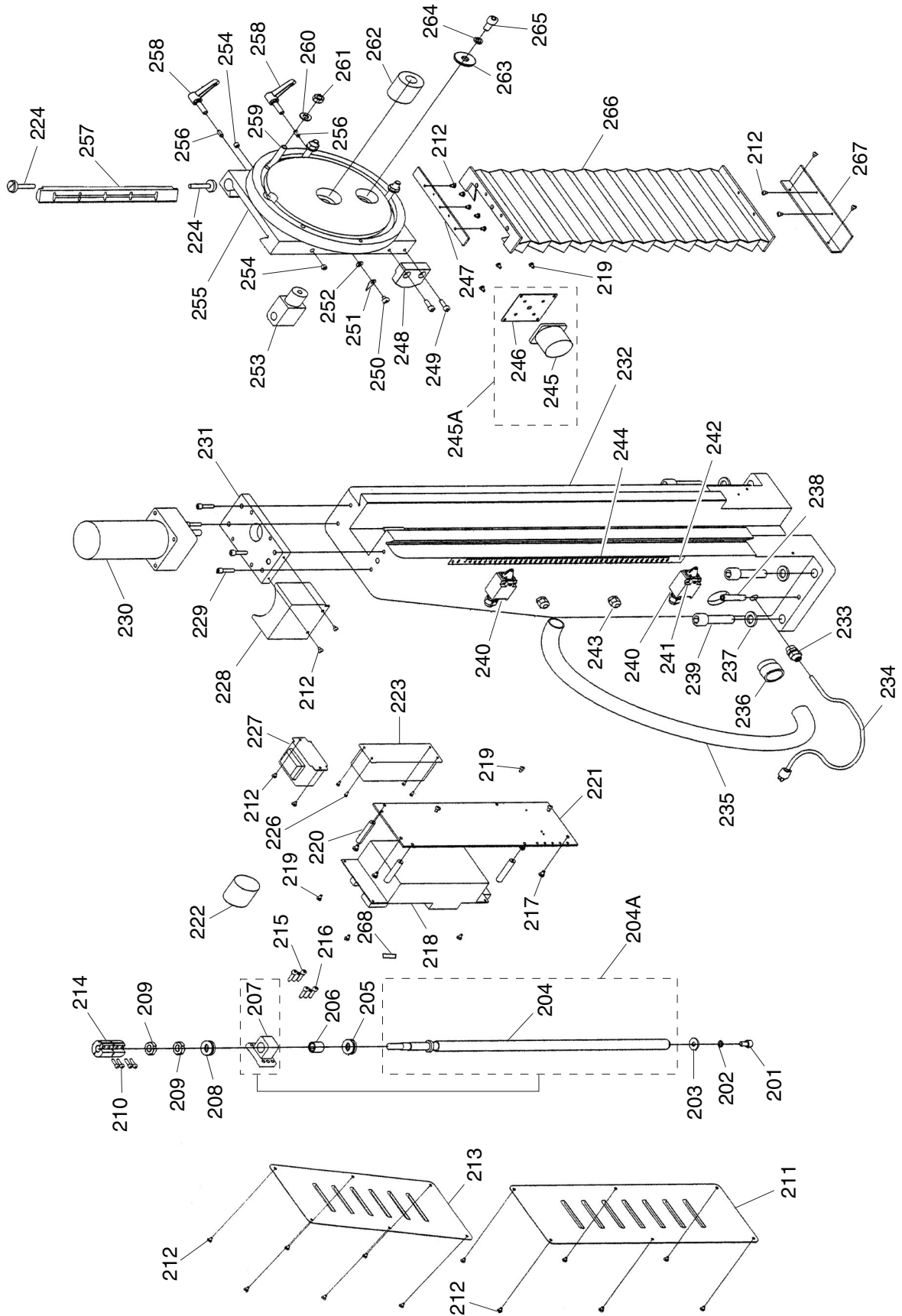
Head Parts List

REF PART #	DESCRIPTION
91	PS79M PHLP HD SCR M3-.5 X 8
92	P0720092 HEAD FRONT COVER
93	PS13M PHLP HD SCR M3-.5 X 20
94	P0720094 LOCK SCREW
95	P0720095 COMPRESSION SPRING 0.8 X 10 X 14
96	P0720096 LOCK HANDLE
97	PS68M PHLP HD SCR M6-1 X 10
98	P0720098 INT THREADED TAPER PIN 6 X 20
99	P0720099 DIGITAL PROTRACTOR BOX
100	P0720100 DIGITAL PROTRACTOR
101	P0720101 DIGITAL PROTRACTOR FRAME
102	P0720102 LOCK COLLAR
103	P0720103 WORM SHAFT
104	P8101 THRUST BEARING 8101
105	P0720105 SHAFT FLANGE
106	PS56M PHLP HD SCR M4-.7 X 16
107	P0720107 FINE DOWNFEED HANDWHEEL
108	PW01M FLAT WASHER 8MM
109	PN03M HEX NUT M8-1.25
110	P0720110 MAGNET
111	P0720111 HANDWHEEL HANDLE
112	PRP37M ROLL PIN 3 X 14
113	P0720113 FLAP KEY 4 X 10
114	P0720114 COARSE DOWNFEED HANDWHEEL
115	PR11M EXT RETAINING RING 25MM
116	P0720116 GEAR SHAFT WASHER
117	P0720117 DIGITAL PROTRACTOR SENSOR
118	P0720118 SPACER
119	P0720119 PIN 10 X 55

REF PART #	DESCRIPTION
120	PSTB005M STEEL BALL 10MM
121	PS74M PHLP HD SCR M4-.7 X 14
122	P0720122 GEAR FLANGE
123	P0720123 WORM GEAR
124	P0720124 NEEDLE ROLLER BEARING HK283520
125	P0720125 SHAFT FLANGE
126	PK06M KEY 5 X 5 X 10
127	P0720127 WORM SHAFT
128	P0720128 NEEDLE ROLLER BEARING HK222816
129	P0720129 END FLANGE
130	P0720130 HALOGEN BULB 24V 60W W/REFLECTOR
131	P0720131 FUSE 2A FAST-BLOW 5 X 20MM
132	P0720132 LOCK PLUNGER
133	P0720133 CHIP SHIELD POLYCARBONATE
134	P0720134 ELEVATION BUTTON
135	PWR810 COMBO WRENCH 8/10MM
136	PWR1417 COMBO WRENCH 14/17MM
137	PWR1922 COMBO WRENCH 19/22
138	P0720138 SPINDLE LOCK PIN
139	P0720139 CHUCK KEY
140	PAW04M HEX WRENCH 4MM
141	PAW05M HEX WRENCH 5MM
142	PAW06M HEX WRENCH 6MM
143	PAW12M HEX WRENCH 12MM
144	P0720144 BOTTLE FOR OIL
145	P0720145 DRILL CHUCK B18
146	P0720146 PROTRACTOR BATTERY LITHIUM CR2032
147	P0720147 SCALE BATTERY ALKALINE SR44
148	P0720148 CONTROL PANEL CIRCUIT BOARD



Column Breakdown



Column Parts List

REF	PART #	DESCRIPTION
201	PS76M	PHLP HD SCR M8-1.25 X 12
202	PLW04M	LOCK WASHER 8MM
203	PW01M	FLAT WASHER 8MM
204A	P0720204A	LEADSCREW W/NUT ASSEMBLY
204	P0720204A	ELEVATION LEADSCREW
205	P8102	THRUST BEARING 8102
206	P0720206	BUSHING
207	P0720204A	LEADSCREW NUT
208	P8102	THRUST BEARING 8102
209	P0720209	SPANNER NUT
210	PS56M	PHLP HD SCR M4-.7 X 16
211	P0720211	BOTTOM COLUMN COVER
212	PS17M	PHLP HD SCR M4-.7 X 6
213	P0720213	TOP COLUMN COVER
214	P0720214	LEADSCREW COUPLER
215	PS06M	PHLP HD SCR M5-.8 X 20
216	P0720098	INT THREADED TAPER PIN 6 X 20
217	PS05M	PHLP HD SCR M5-.8 X 8
218	P0720218	MOTOR POWER SUPPLY CIRCUIT BOARD
219	PS07M	PHLP HD SCR M4-.7 X 8
220	P0720220	CIRCUIT BOARD STAND-OFF SLEEVE
221	P0720221	MOTOR POWER CIRCUIT BOARD PLATE
222	P0720222	S CAPACITOR 14M 450V
223	P0720223	CIRCUIT BREAKER
224	P0720224	GIB SCREW
226	PS79M	PHLP HD SCR M3-.5 X 8
227	P0720227	TRANSFORMER TDE 2232 110V/240V
228	P0720228	ELEVATION MOTOR JUNCTION BOX
229	PS47M	PHLP HD SCR M6-1 X 25
230	P0720230	ELEVATION MOTOR 1/12HP 110V 1PH
231	P0720231	ELEVATION MOTOR MOUNTING PLATE
232	P0720232	COLUMN CASTING
233	P0720233	STRAIN RELIEF M16 LT
234	P0720234	POWER CORD 14G 3C 8FT 5-15
235	P0720235	CORD CONDUIT PLASTIC LT

REF	PART #	DESCRIPTION
236	P0720236	STRAIN RELIEF LT
237	PW08M	FLAT WASHER 16MM
238	P0720238	TAPER PIN 10 X 45
239	PCAP192M	CAP SCREW M16-2 X 55
240	P0720240	ELEVATION TRAVEL LIMIT SWITCH
241	PS51M	PHLP HD SCR M4-.7 X 30
242	PRIV003M	STEEL FLUTED RIVET 2 X 4MM
243	P0720243	STRAIN RELIEF M12
244	P0720244	ELEVATION SCALE
245A	P0720245A	MAIN POWER SWITCH ASSEMBLY
245	P0720245	MAIN POWER SWITCH
246	P0720246	SWITCH PLATE
247	P0720247	TOP WAY COVER PLATE
248	P0720248	STOP BLOCK
249	PCAP02M	CAP SCREW M6-1 X 20
250	PS03M	PHLP HD SCR M6-1 X 8
251	P0720251	POINTER
252	PW03M	FLAT WASHER 6MM
253	P0720253	TILT NUT
254	PLUBE002M	TAP-IN BALL OILER 8MM
255	P0720255	HEAD MOUNTING PLATE
256	P0720256	LOCK PLUNGER
257	P0720257	COLUMN GIB
258	P0720258	LOCK HANDLE ASSEMBLY
259	P0720259	T-BOLT M10-1.5 X 50
260	PW04M	FLAT WASHER 10MM
261	PN02M	HEX NUT M10-1.5
262	P0720262	CLAMPING SLEEVE
263	P0720263	TILT FLAT WASHER 10MM
264	PLW06M	LOCK WASHER 10MM
265	PB56M	CAP SCREW M10-1.5 X 20
266	P0720266	COLUMN WAY COVER
267	P0720267	BOTTOM WAY COVER PLATE
268	P0720268	FUSE 30A FAST-BLOW 1/4" X 1"



Table Breakdown

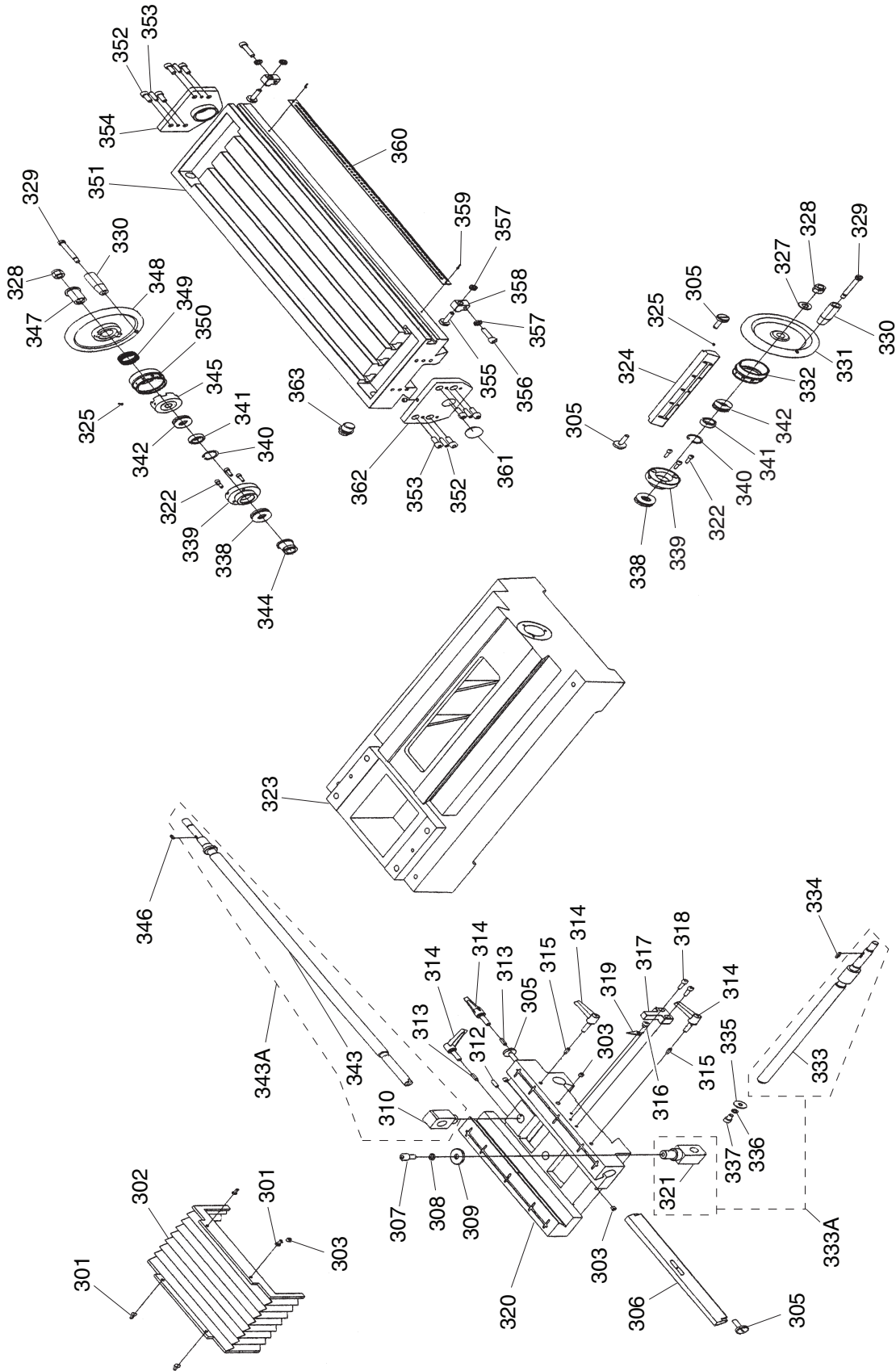


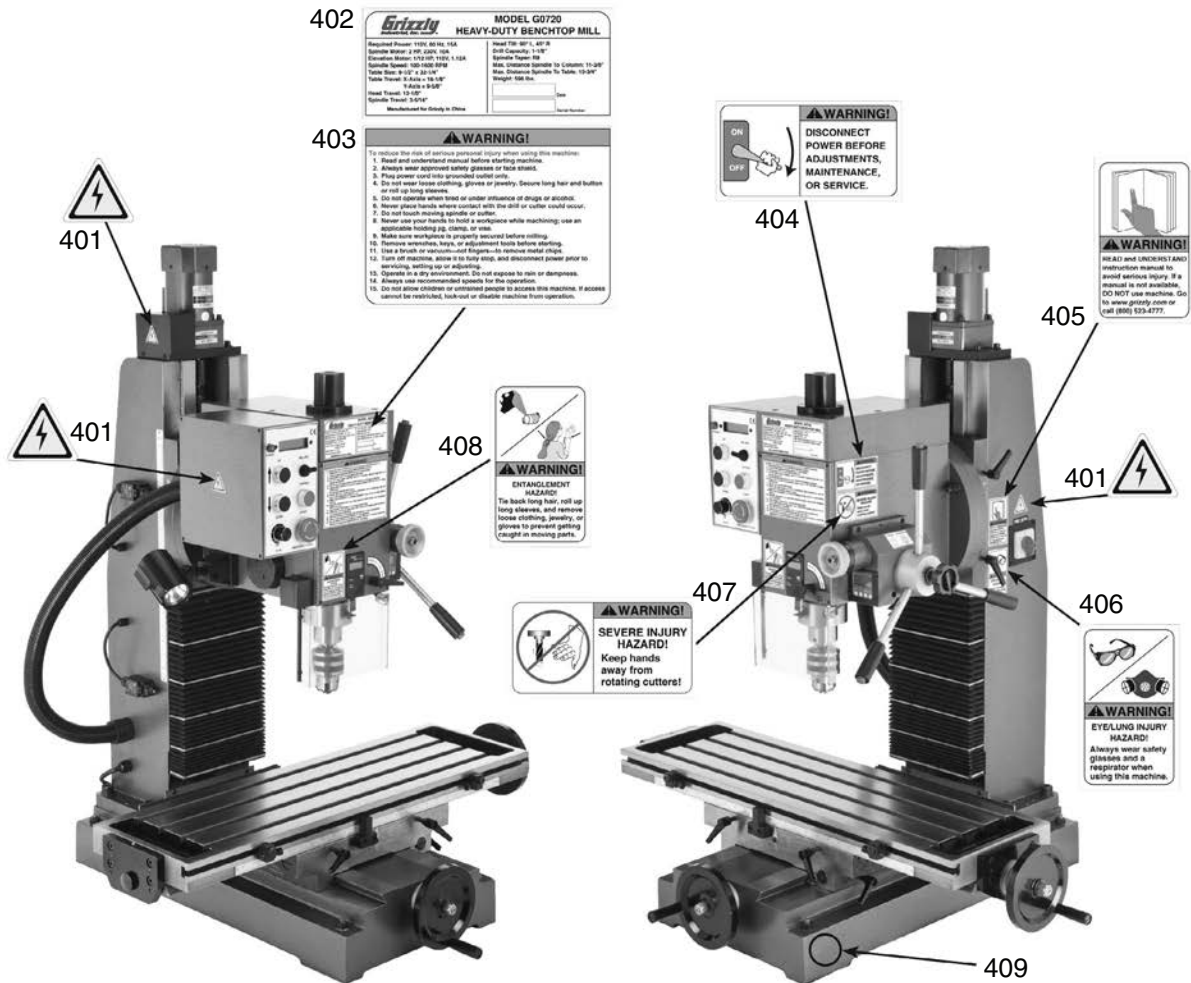
Table Parts List

REF	PART #	DESCRIPTION
301	PS08M	PHLP HD SCR M5-.8 X 12
302	P0720302	CROSS WAY COVER
303	PLUBE002M	TAP-IN BALL OILER 8MM
305	P0720305	GIB SCREW
306	P0720306	LONGINTUDINAL TABLE GIB
307	PCAP130M	CAP SCREW M10-1.5 X 16
308	PLW06M	LOCK WASHER 10MM
309	PW04M	FLAT WASHER 10MM
310	P0720310	LONGITUINAL LEADSCREW NUT
312	PSS25M	SET SCREW M6-1 X 20
313	P0720313	LOCK PLUNGER
314	P0720314	LOCK HANDLE ASSEMBLY
315	P0720315	LOCK PLUNGER
316	PS03M	PHLP HD SCR M6-1 X 8
317	P0720317	STATIONARY LIMIT BLOCK
318	PCAP02M	CAP SCREW M6-1 X 20
319	P0720319	POINTER
320	P0720320	SADDLE CASTING
321	P0720333A	CROSS LEADSCREW NUT
322	PCAP24M	CAP SCREW M5-.8 X 16
323	P0720323	BASE CASTING
324	P0720324	CROSS TABLE GIB
325	P0720325	CLIP
327	P0720327	HANDWHEEL FLAT WASHER 12MM
328	PLN09M	LOCK NUT M12-1.75
329	P0720329	HANDLE SCREW
330	P0720330	HANDWHEEL HANDLE
331	P0720331	CROSS HANDWHEEL
332	P0720332	CROSS GRADUATED DIAL
333A	P0720333A	CROSS LEADSCREW W/NUT
333	P0720333A	CROSS LEADSCREW 8 TPI

REF	PART #	DESCRIPTION
334	PK37M	KEY 4 X 4 X 16
335	PW01M	FLAT WASHER 8MM
336	PLW04M	LOCK WASHER 8MM
337	PCAP58M	CAP SCREW M8-1.25 X 12
338	P51203	THRUST BEARING 51203
339	P0720339	BEARING FLANGE
340	PR20M	INT RETAINING RING 28MM
341	P6902ZZ	BALL BEARING 6902ZZ
342	P51202	THRUST BEARING 51202
343A	P0720343A	LONGITUDINAL LEADSCREW W/NUT
343	P0720343	LONGITUDINAL LEADSCREW 8 TPI
344	P0720344	SLEEVE COPPER
345	P0720345	CLUTCH
346	PK48M	KEY 4 X 4 X 20
347	P0720347	THREADED BUSHING
348	P0720348	LONGITUDINAL HANDWHEEL
349	P0720349	COMPRESSION SPRING
350	P0720350	LONGITUDINAL GRADUATED DIAL
351	P0720351	TABLE
352	P0720352	INT THREADED TAPER PIN 6 X 26
353	PCAP14M	CAP SCREW M8-1.25 X 20
354	P0720354	RIGHT LONGITUDINAL BEARING SEAT
355	P0720355	T-NUT M8-1.25 X 30
356	PCAP40M	CAP SCREW M8-1.25 X 35
357	PN03M	HEX NUT M8-1.25
358	P0720358	ADJUSTABLE LIMIT BLOCK
359	PRIV003M	STEEL FLUTED RIVET 2 X 4MM
360	P0720360	LONGITUDINAL SCALE
361	P0720361	END CAP
362	P0720362	LEFT LONGITUDINAL BEARING SEAT
363	P0720363	PLUG DIN910



Label Placement



REF	PART #	DESCRIPTION
401	PLABEL-14	ELECTRICITY LABEL
402	P0720R402	MACHINE ID LABEL
403	P0720403	MACHINE WARNING LABEL
404	PLABEL-53C	DISCONNECT POWER WARNING
405	PLABEL-12C	READ MANUAL LABEL

REF	PART #	DESCRIPTION
406	PLABEL-57A	EYE/LUNG HAZARD LABEL
407	P0720407	ROTATING CUTTER WARNING LABEL
408	PLABEL-55A	ENTANGLEMENT HAZARD LABEL
409	PPAINT-01	GRIZZLY GREEN TOUCH-UP PAINT

WARNING

Safety labels warn about machine hazards and ways to prevent injury. The owner of this machine **MUST** maintain the original location and readability of the labels on the machine. If any label is removed or becomes unreadable, **REPLACE** that label before using the machine again. Contact Grizzly at (800) 523-4777 or www.grizzly.com to order new labels.

