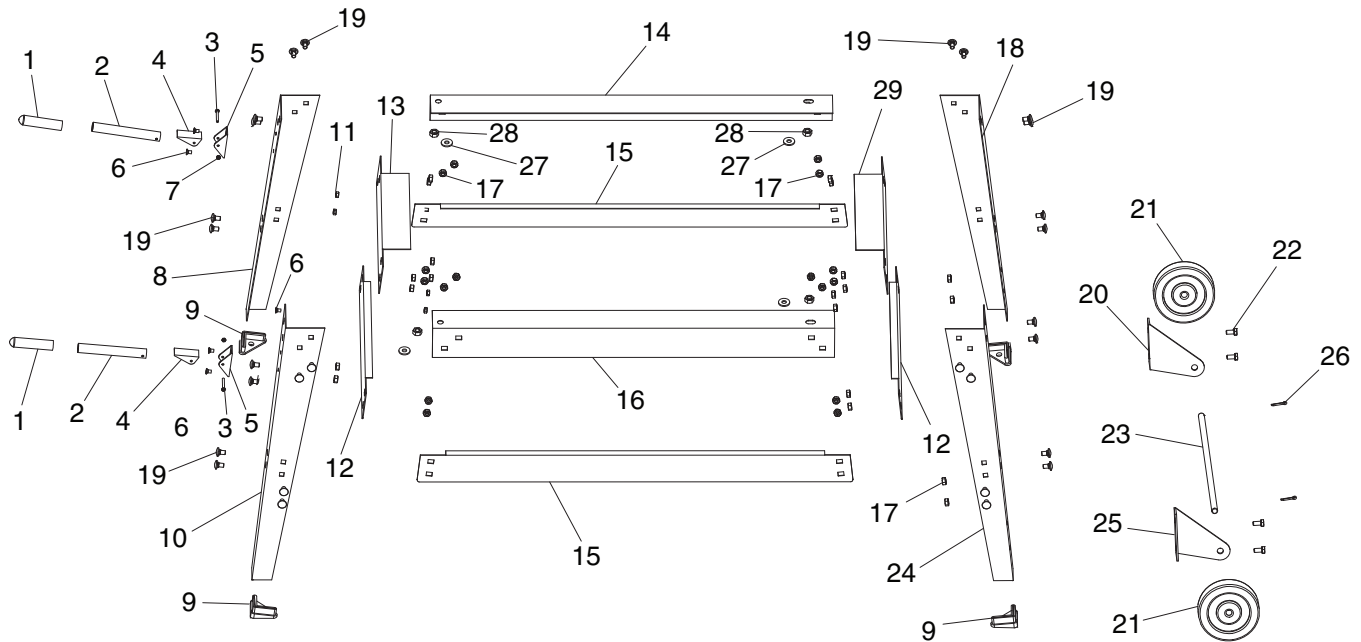


# SECTION 9: PARTS

## Stand

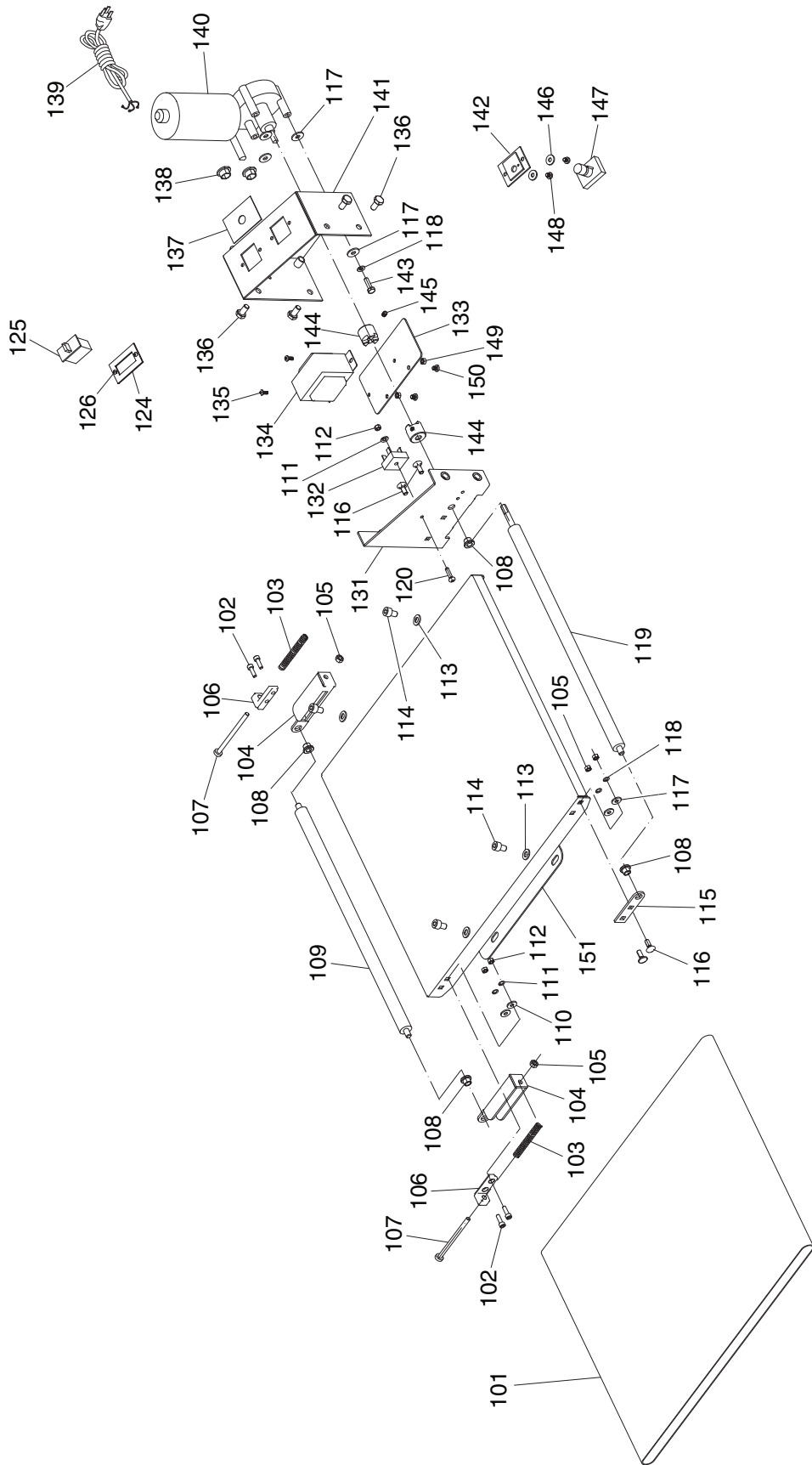


REF	PART #	DESCRIPTION
1	P0716001	HANDLE GRIP
2	P0716002	HANDLE
3	PS25M	PHLP HD SCR M4-.7 X 35
4	P0716004	HANDLE BRACKET
5	P0716005	HANDLE BASE
6	PFH43M	FLAT HD SCR M6-1 X 10
7	PN04M	HEX NUT M4-.7
8	P0716008	LEFT FRONT STAND LEG
9	P0716009	LEG FOOT PAD
10	P0716010	RIGHT FRONT STAND LEG
11	PLN03M	LOCK NUT M6-1
12	P0716012	SHORT BOTTOM BRACE
13	P0716013	FRONT SHORT TOP BRACE
14	P0716014	LEFT LONG TOP BRACE
15	P0716015	LONG BOTTOM BRACE

REF	PART #	DESCRIPTION
16	P0716016	RIGHT LONG TOP BRACE
17	PLN04M	LOCK NUT M8-1.25
18	P0716018	LEFT REAR STAND LEG
19	PCB11M	CARRIAGE BOLT M8-1.25 X 12
20	P0716020	LEFT WHEEL MOUNTING BRACKET
21	P0716021	WHEEL 5"
22	PB03M	HEX BOLT M8-1.25 X 16
23	P0716023	WHEEL AXLE
24	P0716024	RIGHT REAR STAND LEG
25	P0716025	RIGHT WHEEL MOUNTING BRACKET
26	P0716026	COTTER PIN 4 X 20
27	PW04M	FLAT WASHER 10MM
28	PLN05M	LOCK NUT M10-1.5
29	P0716029	REAR SHORT TOP BRACE



# Conveyor



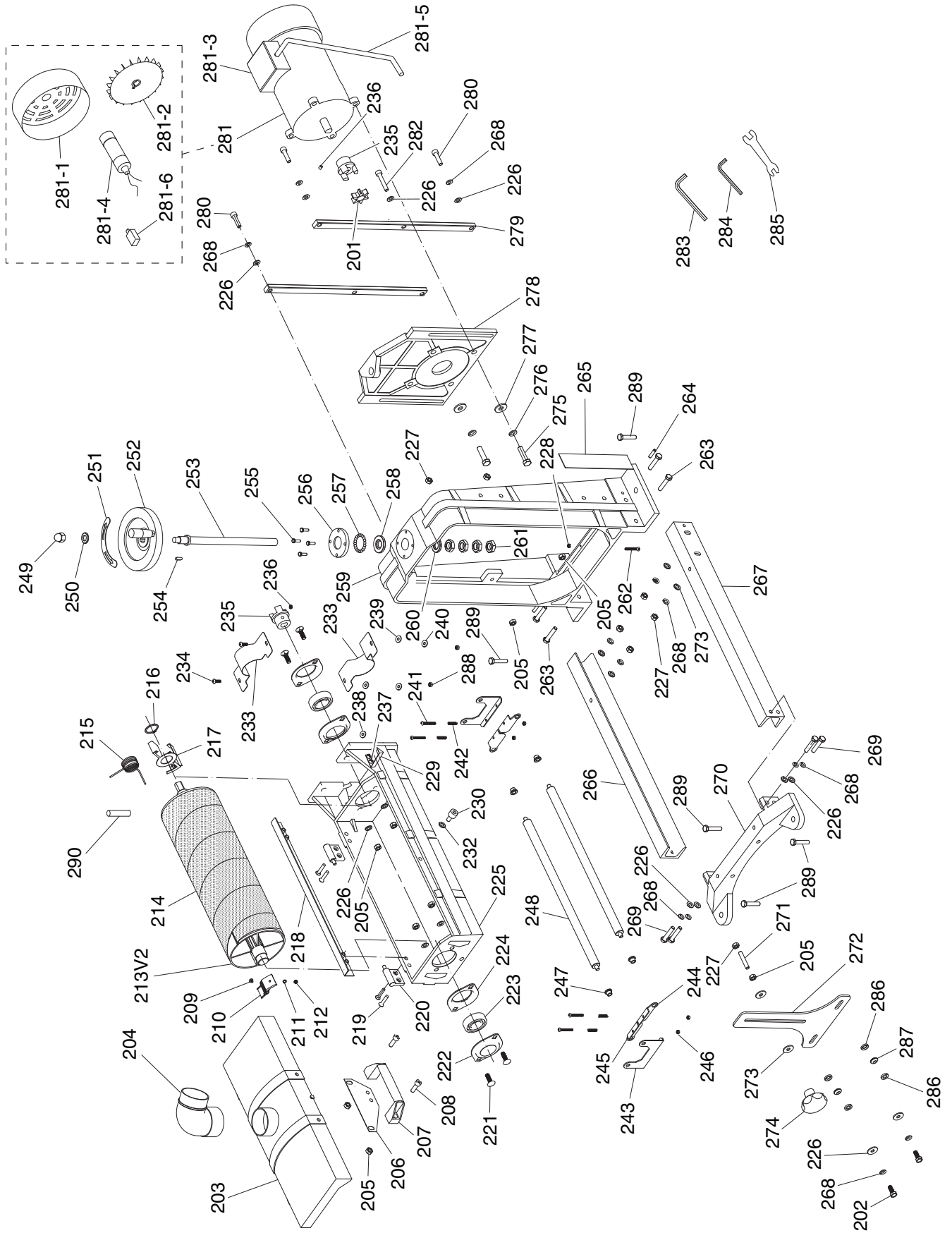
# Conveyor Parts List

REF	PART #	DESCRIPTION
101	P0716101	CONVEYOR BELT
102	PCAP24M	CAP SCREW M5-.8 X 16
103	P0716103	COMPRESSION SPRING
104	P0716104	OUTFEED ADJUSTABLE ROLLER BRACKET
105	PN01M	HEX NUT M6-1
106	P0716106	ADJUSTABLE SLIDE
107	PS115M	PHLP HD SCR M6-1 X 90
108	P0716108	FEED ROLLER BUSHING
109	P0716109	OUTFEED ROLLER
110	PW02M	FLAT WASHER 5MM
111	PLW01M	LOCK WASHER 5MM
112	PN06M	HEX NUT M5-.8
113	PW01M	FLAT WASHER 8MM
114	PCAP58M	CAP SCREW M8-1.25 X 12
115	P0716115	INFEED ROLLER BRACKET
116	PCB22M	CARRIAGE BOLT M6-1 X 16
117	PW03M	FLAT WASHER 6MM
118	PLW03M	LOCK WASHER 6MM
119	P0716119	INFEED ROLLER
120	PS06M	PHLP HD SCR M5-.8 X 20
124	P0716124	SWITCH COVER
125	G8988	GRIZZLY SAFETY ON/OFF SWITCH

REF	PART #	DESCRIPTION
126	PS02M	PHLP HD SCR M4-.7 X 12
131	P0716131	SWITCH HOUSING BRACKET
132	P0716132	TERMINAL BLOCK 4P
133	P0716133	SWITCH HOUSING PLATE
134	P0716134	TRANSFORMER OMRON HF-7A 24/120V
135	PS38M	PHLP HD SCR M4-.7 X 10
136	PB03M	HEX BOLT M8-1.25 X 16
137	P0716137	INSULATION PLATE
138	P0716138	STRAIN RELIEF 1/2" SNAP-IN
139	P0716139	POWER CORD 14G 3C 10' 5-15
140	P0716140	CONVEYOR MOTOR 24VDC
141	P0716141	SWITCH HOUSING
142	P0716142	INSULATION PAD
143	PB08M	HEX BOLT M6-1 X 20
144	P0716144	CONVEYOR CLUTCH
145	PW05M	FLAT WASHER 4MM
146	PW02M	FLAT WASHER 5MM
147	P0716147	VS FEED DIAL HF-7A 071015
148	PS19M	PHLP HD SCR M5-.8 X 6
149	PN04M	HEX NUT M4-.7
150	PS09M	PHLP HD SCR M5-.8 X 10
151	P0716151	CONVEYOR PLATEN



# Main



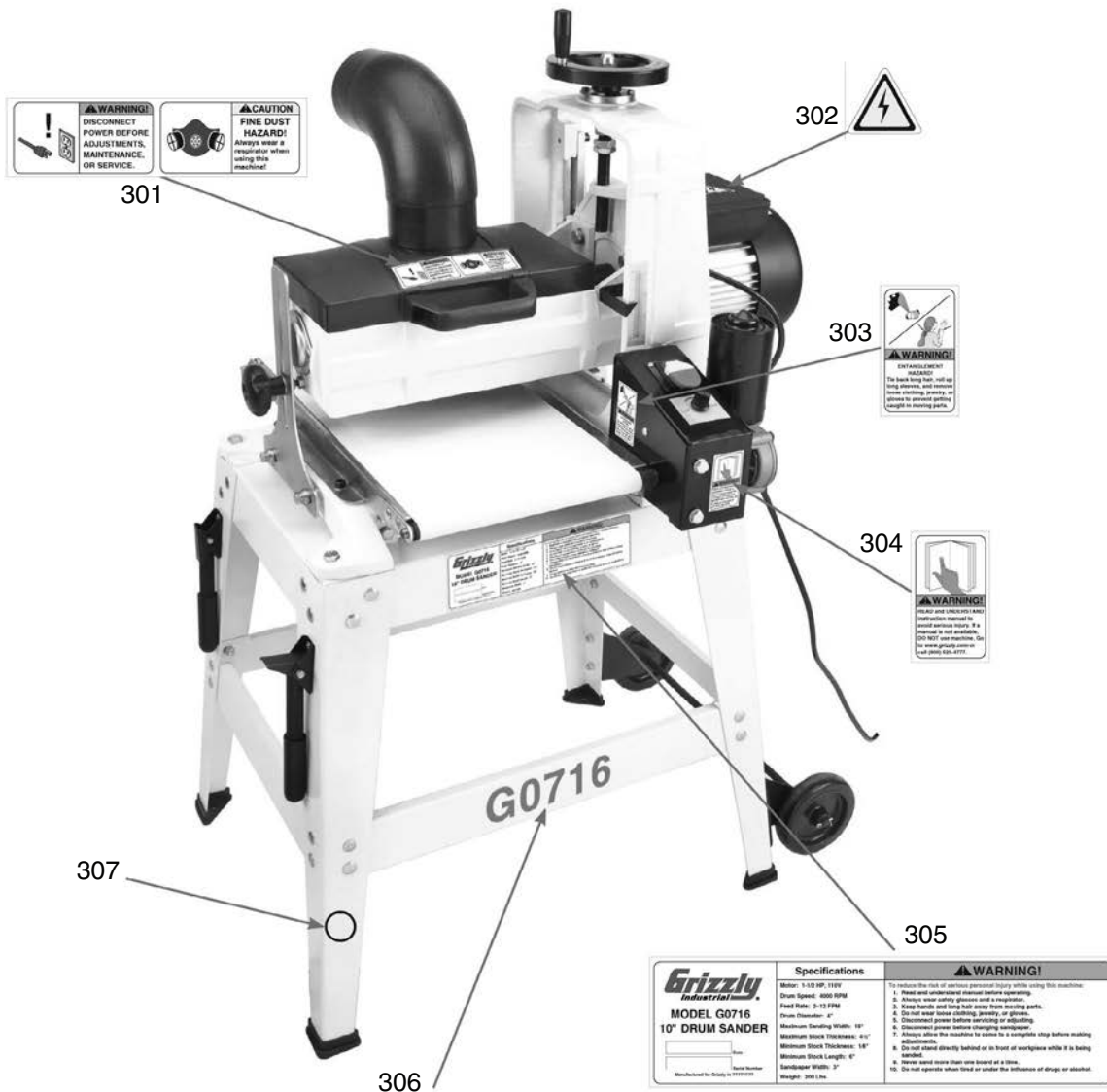
# Main Parts List

REF	PART #	DESCRIPTION
201	P0716201	CLUTCH DAMPER
202	PB26M	HEX BOLT M8-1.25 X 30
203	P0716203	DUST HOOD
204	P0716204	DUST CONNECTOR 90 DEG 4"
205	PLN04M	LOCK NUT M8-1.25
206	P0716206	LOCKING PLATE
207	P0716207	DUST HOOD HANDLE
208	PCAP31M	CAP SCREW M8-1.25 X 25
209	PFH31M	FLAT HD SCR M4-.7 X 8
210	P0716210	LEFT SANDPAPER CLAMP
211	PLW02M	LOCK WASHER 4MM
212	PN04M	HEX NUT M4-.7
213V2	P0716213V2	SANDING DRUM V2.08.10
214	P0716214	SANDPAPER 3"W X 63" 80GRIT
215	P0716215	TORSION SPRING
216	PR19M	EXT RETAINING RING 28MM
217	P0716217	RIGHT SANDPAPER CLAMP
218	P0716218	INTERNAL DRUM GUARD
219	PFH26M	FLAT HD SCR M6-1 X 30
220	P0716220	DUST HOOD HINGE
221	PCB34M	CARRIAGE BOLT M8-1.25 X 25
222	P0716222	OUTSIDE BEARING RETAINER
223	P6205-2RS	BALL BEARING 6205-2RS
224	P0716224	INTERNAL BEARING RETAINER
225	P0716225	DRUM HOUSING
226	PW01M	FLAT WASHER 8MM
227	PN03M	HEX NUT M8-1.25
228	PN01M	HEX NUT M6-1
229	P0716229	POINTER
230	PCAP27M	CAP SCREW M6-1 X 14
232	PW03M	FLAT WASHER 6MM
233	P0716233	AUXILIARY GUARD
234	PS40M	PHLP HD SCR M5-.8 X 16
235	P0716235	DRUM CLUTCH
236	PSS03M	SET SCREW M6-1 X 8
237	PCAP39M	CAP SCREW M4-.7 X 20
238	PW05M	FLAT WASHER 4MM
239	PW02M	FLAT WASHER 5MM
240	PLW01M	LOCK WASHER 5MM
241	PS51M	PHLP HD SCR M4-.7 X 30
242	P0716242	COMPRESSION SPRING
243	P0716243	PRESSURE ROLLER BRACKET
244	P0716244	RIGHT BRACKET SUPPORT
245	P0716245	LEFT BRACKET SUPPORT
246	PLN01M	LOCK NUT M4-.7
247	P0716247	PRESSURE ROLLER BUSHING
248	P0716248	PRESSURE ROLLER
249	PN26M	ACORN NUT M12-1.75

REF	PART #	DESCRIPTION
250	PW06M	FLAT WASHER 12MM
251	P0716251	ELEVATION ROTATION LABEL
252	P0716252	HANDWHEEL ASSEMBLY
253	P0716253	ELEVATION LEADSCREW
254	PK08M	KEY 5 X 5 X 16
255	PB148M	HEX BOLT M5-.8 X 16
256	P0716256	SHAFT END CAP
257	P0716257	STEEL BALL
258	P0716258	BEARING RACE
259	P0716259	FRAME CASTING
260	P0716260	LEADSCREW FLAT WASHER 16MM
261	P0716261	THIN NUT M16-1.5
262	PS31M	PHLP HD SCR M6-1 X 35
263	PB126M	HEX BOLT M8-1.25 X 40
264	PRP109M	ROLL PIN 6 X 26
265	P0716265	ELEVATION SCALE
266	P0716266	OUTFEED ROLLER SUPPORT
267	P0716267	INFEED ROLLER SUPPORT
268	PLW04M	LOCK WASHER 8MM
269	PB07M	HEX BOLT M8-1.25 X 25
270	P0716270	CONVEYOR SUPPORT
271	P0716271	THREADED STUD M8-1.25 X 80
272	P0716272	DRUM HOUSING SUPPORT
273	PWF08M	FENDER WASHER 8MM
274	P0716274	KNOB M8-1.25
275	PB01M	HEX BOLT M10-1.5 X 30
276	PLW06M	LOCK WASHER 10MM
277	PW04M	FLAT WASHER 10MM
278	P0716278	MOTOR MOUNT
279	P0716279	GIB
280	PCAP13M	CAP SCREW M8-1.25 X 30
281	P0716281	MOTOR 1-1/2HP 110V 60HZ
281-1	P0716281-1	MOTOR FAN COVER
281-2	P0716281-2	MOTOR FAN
281-3	P0716281-3	MOTOR JUNCTION BOX
281-4	P0716281-4	S CAPACITOR 80M 300V 2 X 3-5/8
281-5	P0716281-5	MOTOR CORD 14G 3C 18"
281-6	P0716281-6	CIRCUIT BREAKER CRU 12A
282	PCAP45M	CAP SCREW M8-1.25 X 45
283	PAW06M	HEX WRENCH 6MM
284	PAW05M	HEX WRENCH 5MM
285	PWR1113	COMBO WRENCH 11/13
286	PW01M	FLAT WASHER 8MM
287	P0716287	SPACER 8MM
288	PN06M	HEX NUT M5-.8
289	PB14M	HEX BOLT M10-1.5 X 35
290	P0716290	HOLDING PIN



# Machine Labels



# G0716

Specifications		WARNING!
<p><b>Grizzly Industrial</b></p> <p><b>MODEL G0716</b> <b>10" DRUM SANDER</b></p>		
<p>Motor: 1/2 HP, 115V                  Drum Speed: 6000 RPM                  Feed Rate: 3-12 FPM                  Drum Diameter: 42"                  Maximum Sanding Width: 18"                  Maximum Stock Thickness: 4-1/2"                  Minimum Stock Thickness: 1/8"                  Minimum Stock Length: 47"                  Sandpaper Width: 3"                  Weight: 260 lbs.</p>	<p>To reduce the risk of serious personal injury while using this machine:</p> <ol style="list-style-type: none"> <li>1. Read and understand manual before operating.</li> <li>2. Always wear safety glasses and a respirator.</li> <li>3. Keep hands and long hair away from rotating parts.</li> <li>4. Do not wear loose clothing, jewelry, or gloves.</li> <li>5. Disconnect power before servicing or adjusting.</li> <li>6. Disconnect power before changing sandpaper.</li> <li>7. Always allow the machine to come to a complete stop before making adjustments.</li> <li>8. Do not stand directly behind or in front of workpiece while it is being sanded.</li> <li>9. Never stand on top of or under a drum.</li> <li>10. Do not operate when tired or under the influence of drugs or alcohol.</li> </ol>	

REF	PART #	DESCRIPTION
301	P0716301	DISCONNECT/DUST HAZARD LABEL
302	PLABEL-14	ELECTRICITY LABEL
303	PLABEL-55	ENTANGLEMENT HAZARD LABEL
304	PLABEL-12A	READ MANUAL LABEL

REF	PART #	DESCRIPTION
305	P0716305	MACHINE ID LABEL
306	P0716306	MODEL NUMBER LABEL
307	P0716307	WHITE TOUCH-UP PAINT

## !WARNING

Safety labels warn about machine hazards and ways to prevent injury. The owner of this machine **MUST** maintain the original location and readability of the labels on the machine. If any label is removed or becomes unreadable, **REPLACE** that label before using the machine again. Contact Grizzly at (800) 523-4777 or [www.grizzly.com](http://www.grizzly.com) to order new labels.

