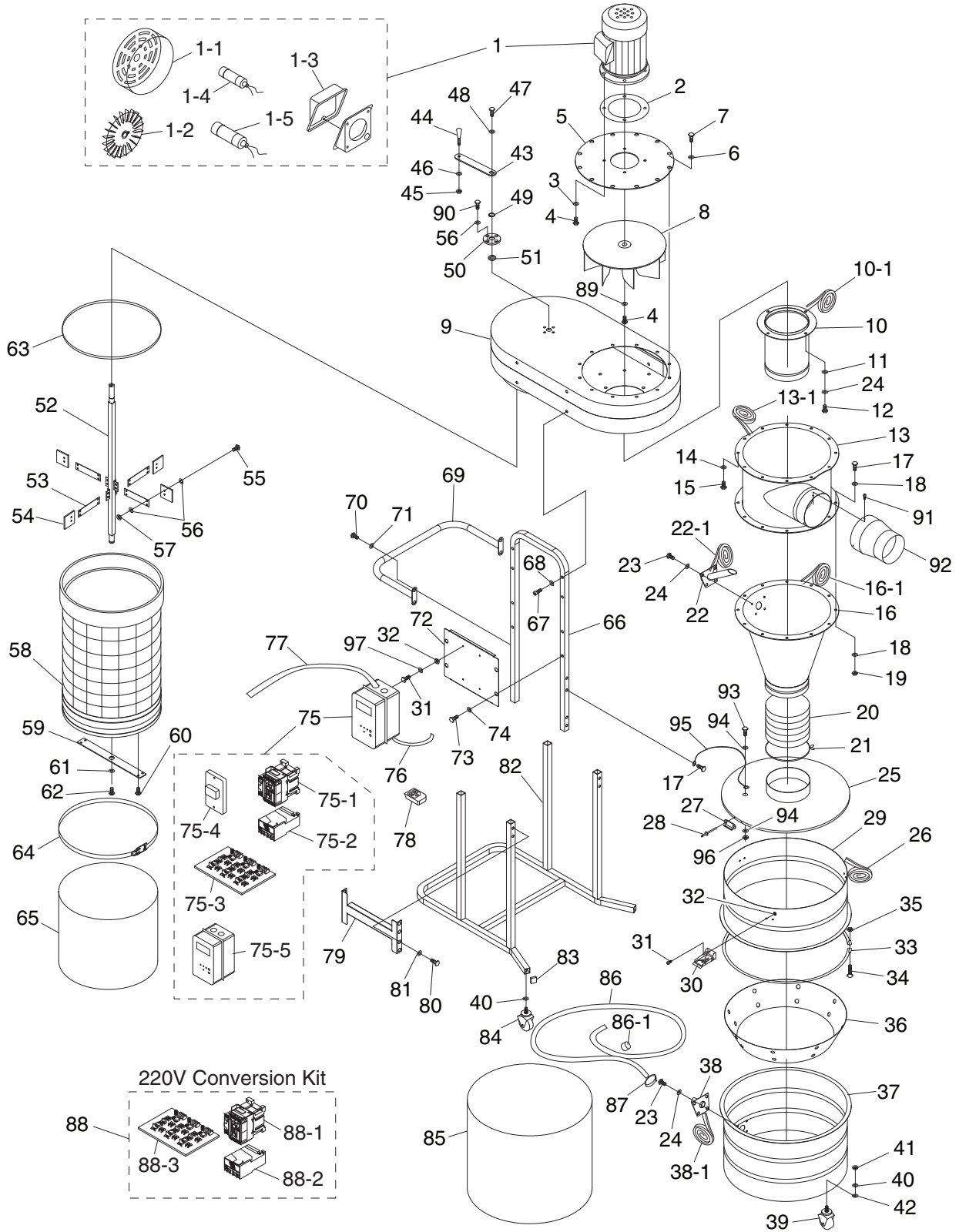


# SECTION 10: PARTS

## Main



# Main Parts List

REF	PART #	DESCRIPTION
1	P0703001	MOTOR 1-1/2 HP 110/220V 1PH
1-1	P0703001-1	MOTOR FAN COVER
1-2	P0703001-2	MOTOR FAN
1-3	P0703001-3	MOTOR JUNCTION BOX
1-4	P0703001-4	S CAPACITOR 300M 125V 1-1/2 X 3-1/8
1-5	PC040F	R CAPACITOR 40M 250V 1-3/8 X 2-3/8
2	P0703002	MOTOR GASKET
3	PW07	FLAT WASHER 5/16
4	PB07	HEX BOLT 5/16-18 X 3/4
5	P0703005	MOTOR MOUNTING PLATE
6	PW07	FLAT WASHER 5/16
7	PB07	HEX BOLT 5/16-18 X 3/4
8	P0703008	IMPELLER 13-1/2"
9	P0703009	BLOWER HOUSING
10	P0703010	INTAKE CYLINDER 7"
10-1	P0703010-1	INTAKE CYLINDER SEAL
11	PW07	FLAT WASHER 5/16
12	PB09	HEX BOLT 5/16-18 X 1/2
13	P0703013	INTAKE BARREL 9-13/16" X 16-1/2"
13-1	P0703013-1	INTAKE BARREL SEAL
14	PW07	FLAT WASHER 5/16
15	PB07	HEX BOLT 5/16-18 X 3/4
16	P0703016	CYCLONE FUNNEL 7"
16-1	P0703016-1	CYCLONE FUNNEL SEAL
17	PB07	HEX BOLT 5/16-18 X 3/4
18	PW07	FLAT WASHER 5/16
19	PN02	HEX NUT 5/16-18
20	P0703020	DUST HOSE CLEAR 7" X 7"
21	P0440026	HOSE CLAMP 7"
22	P0703022	FUNNEL SUCTION PIPE
22-1	P0703022-1	FUNNEL SUCTION PIPE SEAL
23	PB07	HEX BOLT 5/16-18 X 3/4
24	PLW01	LOCK WASHER 5/16
25	P0703025	COLLECTION DRUM LID 9"
26	P0703026	COLLECTION DRUM SEAL
27	P0703027	LATCH HOOK
28	P0703028	RIVET
29	P0703029	UPPER COLLECTION DRUM
30	P0440053	DRUM LID LATCH
31	PS06	PHLP HD SCR 10-24 X 3/8
32	PN07	HEX NUT 10-24
33	P0703033	DRUM CLAMP
34	PB04	HEX BOLT 5/16-18 X 3
35	PN02	HEX NUT 5/16-18
36	P0703036	VACUUM SUCTION PLATE
37	P0703037	LOWER COLLECTION DRUM
38	P0703038	DRUM SUCTION PIPE
38-1	P0703038-1	DRUM SUCTION PIPE SEAL
39	P0440056	CASTER 2"
40	PLW04	LOCK WASHER 3/8
41	PN08	HEX NUT 3/8-16
42	PW02	FLAT WASHER 3/8
43	P0703043	PADDLE CRANK
44	P0703044	ROTATION HANDLE
45	PLN01	LOCK NUT 3/8-16
46	PW02	FLAT WASHER 3/8
47	PB07	HEX BOLT 5/16-18 X 3/4
48	PW07	FLAT WASHER 5/16

REF	PART #	DESCRIPTION
49	PR09M	EXT RETAINING RING 20MM
50	P0703050	PADDLE SHAFT CAP
51	P0703051	SEAL
52	P0703052	PADDLE SHAFT
53	P0703053	PADDLE BRACKET
54	P0703054	PADDLE
55	PB02	HEX BOLT 1/4-20 X 5/8
56	PW06	FLAT WASHER 1/4
57	PLN02	LOCK NUT 1/4-20
58	P0703058	CARTRIDGE FILTER
59	P0703059	PADDLE SUPPORT
60	PHTEK39M	TAP SCREW M4 X 12
61	PW07	FLAT WASHER 5/16
62	PB07	HEX BOLT 5/16-18 X 3/4
63	P0703063	CARTRIDGE FILTER CLAMP
64	P0440033	BAG CLAMP 400MM V1.06.05
65	P0703065	PLASTIC BAG 400 X 600MM
66	P0703066	UPPER FRAME
67	PCAP30	CAP SCREW 5/16-18 X 1/2
68	PW07	FLAT WASHER 5/16
69	P0703069	FRAME HANDLE
70	PB07	HEX BOLT 5/16-18 X 3/4
71	PW07	FLAT WASHER 5/16
72	P0703072	ELECTRICAL BOX MOUNTING PLATE
73	PB07	HEX BOLT 5/16-18 X 3/4
74	PW07	FLAT WASHER 5/16
75	P0443004B	REMOTE CONTROL SWITCH 110V
75-1	P0703075-1	CONTACTOR NHD C-09D 110V
75-2	P0703075-2	OL RELAY NHD NTH-21 17-21A
75-3	P0703075-3	CIRCUIT BOARD 110V
75-4	P0703075-4	ON/OFF SWITCH 110/220V
75-5	P0703075-5	REMOTE CONTROL BOX
76	P0443003	POWER CORD 12G/3W
77	P0443002	MOTOR CORD 12G/3W
78	P0443005	REMOTE CONTROLLER
79	P0703079	FRAME BRACE
80	PB07	HEX BOLT 5/16-18 X 3/4
81	PW07	FLAT WASHER 5/16
82	P0703082	LOWER FRAME
83	P0703083	FRAME END CAP
84	P0440056	CASTER 2"
85	P0703085	PLASTIC BAG 510 X 1070MM
86	P0703086	DUST HOSE GREY 1" X 6-1/2'
86-1	P0703086-1	1" PLASTIC HOSE PLUG
87	P0703087	HOSE CLAMP 1"
88	P0703088	220V CONVERSION KIT
88-1	P0703088-1	CONTACTOR NHD C-09D 220V
88-2	P0703088-2	OL RELAY NTH-11 8-11A
88-3	P0703088-3	CIRCUIT BOARD 220V
89	P0443014	SPECIAL FENDER WASHER 5/16
90	PB31	HEX BOLT 1/4-20 X 1
91	PS02M	PHLP HD SCR M4-.7 X 12
92	P0703092	INLET RESTRICTOR 5" X 6"
93	P0703093	COPPER PHLP HD SCR M5-.8 X 12
94	PLW01M	LOCK WASHER 5MM
95	P0703095	GROUND WIRE
96	P0703096	COPPER HEX NUT M5-.8
97	PW03	FLAT WASHER #10



# Machine Labels



104  
**G0703**  
108 *grizzly.com*

REF	PART #	DESCRIPTION
100	P0703100	MACHINE ID LABEL
101	PLABEL-15A	HEARING HAZARD LABEL
102	PLABEL-12A	READ MANUAL LABEL
103	PLABEL-57	EYE/LUNG HAZARD LABEL
104	P0703104	MODEL NUMBER LABEL

REF	PART #	DESCRIPTION
105	PLABEL14	ELECTRICITY LABEL
106	PLABEL59	INTLET HAZARD LABEL
107	P0703107	GRIZZLY GREEN TOUCH-UP PAINT
108	P0703108	GRIZZLY.COM LABEL RED

## ⚠️ WARNING

Safety labels warn about machine hazards and ways to prevent injury. The owner of this machine **MUST** maintain the original location and readability of the labels on the machine. If any label is removed or becomes unreadable, **REPLACE** that label before using the machine again. Contact Grizzly at (800) 523-4777 or [www.grizzly.com](http://www.grizzly.com) to order new labels.

