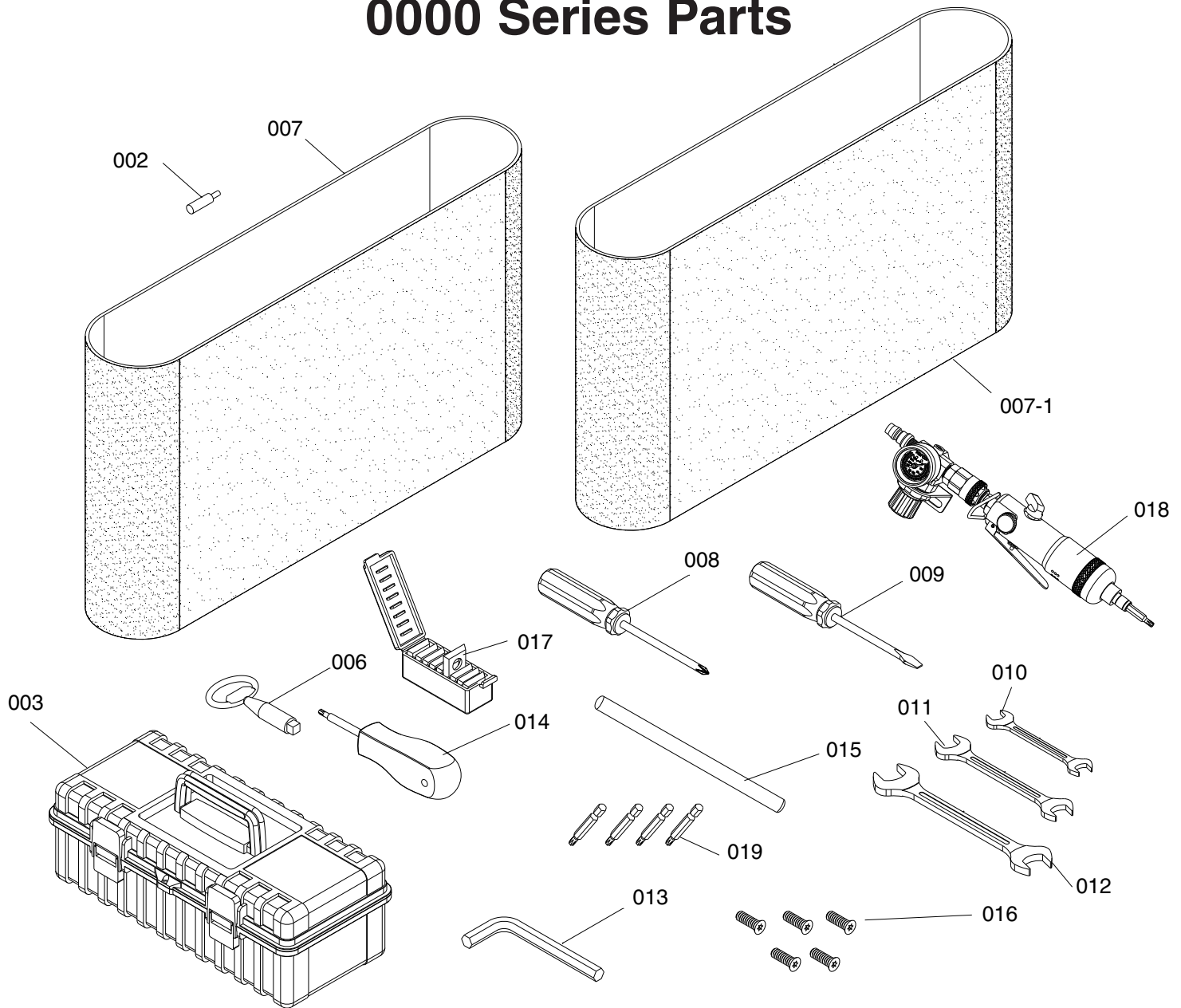


SECTION 9: PARTS

Tool Box & Accessories Breakdown 0000 Series Parts

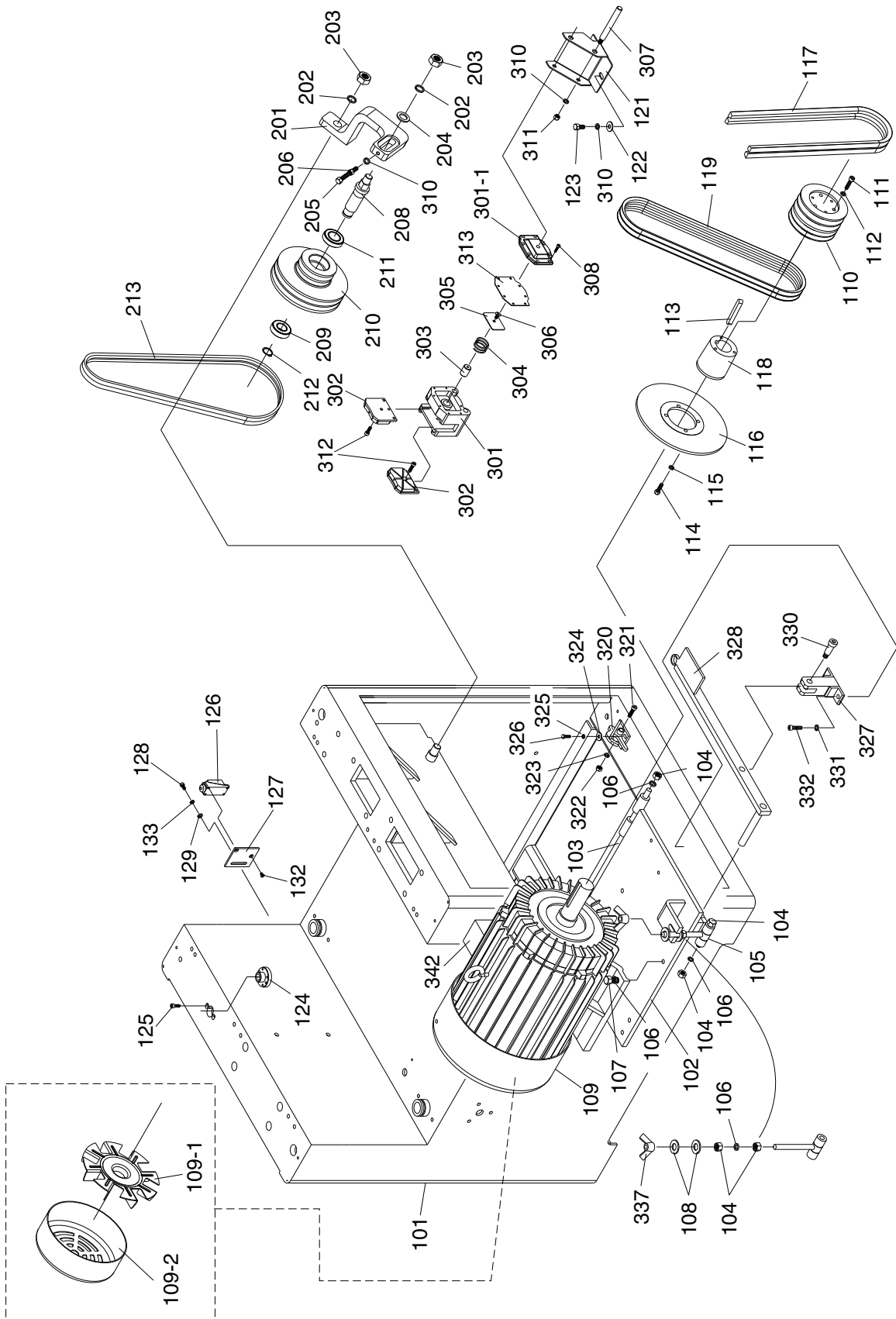


REF	PART #	DESCRIPTION
002	PH29330002	CERAMIC LIMIT SWITCH TIP
003	PH29330003	TOOL BOX
006	PH29330006	DOOR KEY
007	G8678	SANDING BELT (#120)
007-1	G8679	SANDING BELT (#150)
008	PSDP2	SCREWDRIVER PHILLIPS #2
009	PSDF2	SCREWDRIVER FLAT #2
010	PWR810	WRENCH 8 X 10
011	PWR1214	WRENCH 12 X 14

REF	PART #	DESCRIPTION
012	PWR1719	WRENCH 17 X 19
013	PH29330013	HEX WRENCH SET
014	P06770014	TORX SCREWDRIVER T-20
015	P06770015	BREAKER BAR
016	PFH15M	FLAT HD TORX SCR M6-1 X 12
017	P06770017	CARBIDE INSERTS 14 X 14 X 2 (QTY 10)
018	P06770018	PNEUMATIC TORX AIR TOOL
019	P06770019	TORX DRIVER T-20



Sanding Motor System Breakdown 1000 Series Parts



Sanding Motor System Parts List

REF	PART #	DESCRIPTION
101	P06771101	MACHINE FRAME
102	P06771102	MOTOR BASE
103	P06771103	MOTOR BASE HINGE
104	P06771104	HEX NUT 1/2-12
105	P06771105	MOTOR BASE ADJ. ROD
106	P06771106	LOCK WASHER 1/2
107	P06771107	HEX BOLT 1/2-12 X 1-1/2
108	P06771108	FLAT WASHER 1/2
109	P06771109	MOTOR 15HP 220V/440V 3-PH
109-1	P06771109-1	MOTOR FAN
109-2	P06771109-2	MOTOR FAN COVER
110	P06771110	MOTOR PULLEY
111	P06771111	CAP SCREW 5/16-18 X 1-1/4
112	P06771112	LOCK WASHER 5/16
113	P06771113	KEY 12 X 8 X 105
114	P06771114	HEX BOLT 5/16-18 X 1
115	P06771115	LOCK WASHER 5/16
116	P06771116	BRAKE ROTOR
117	P06771117	V-BELT B-74 5L770 QTY 2
118	P06771118	PULLEY BUSHING
119	P06771119	V-BELT B-55 5L580 QTY 2
121	P06771121	BRAKE BRACKET
122	P06771122	FLAT WASHER 3/8
123	P06771123	HEX BOLT 3/8-16 X 3/4
124	P06771124	FLAT HEAD NUT
125	P06771125	CAP SCREW 1/4-20 X 3/4
126	P06771126	TABLE LIMIT SWITCH
127	P06771127	TABLE LIMIT SWITCH PLATE
128	P06771128	HEX BOLT 1/4-20 X 5/8
129	P06771129	FLAT WASHER 1/4
132	P06771132	FLAT HD SCR M5-.8 X 8
133	P06771133	LOCK WASHER 1/4
201	P06771201	IDLER WHEEL ADJ. BRACKET
202	P06771202	LOCK WASHER 3/4
203	P06771203	HEX NUT 3/4-16
204	P06771204	FLAT WASHER 3/4

REF	PART #	DESCRIPTION
205	P06771205	HEX BOLT 3/8-16 X 3-1/2
206	P06771206	HEX NUT 3/8-16
208	P06771208	IDLER WHEEL SHAFT
209	P06771209	BALL BEARING 6305ZZ
210	P06771210	IDLER PULLEY
211	P06771211	BALL BEARING 6206-ZZ
212	P06771212	EXT RETAINING RING 25MM
213	P06771213	V-BELT B52 5L540 QTY 2
301	P06771301	BRAKE CALIPER
301-1	P06771301-1	BRAKE CALIPER FRONT GUARD
302	P06771302	BRAKE LINING SET
303	P06771303	BRAKE ARBOR
304	P06771304	BRAKE COMPRESSION SPRING
305	P06771305	BRAKE INSIDE PIECE
306	P06771306	FLAT HD SCR 1/4-20 X 5/8
307	P06771307	BRAKE PIN
308	P06771308	CAP SCREW 10-24 X 5/8
310	P06771310	LOCK WASHER 3/8
311	P06771311	HEX NUT 3/8-16
312	P06771312	CAP SCREW 1/4-20 X 1/2
313	P06771313	BRAKE GASKET
320	P06771320	FOOT PEDAL HOOK
321	P06771321	CAP SCREW 3/8-16 X 2
322	P06771322	HEX NUT 3/8-16
323	P06771323	LOCK WASHER 3/8
324	P06771324	FLAT WASHER 5/16
325	P06771325	LOCK WASHER 5/16
326	P06771326	HEX BOLT 5/16-18 X 5/8
327	P06771327	FOOT PEDAL SUPPORTER
328	P06771328	FOOT PEDAL
330	P06771330	SPECIAL SCREW
331	P06771331	LOCK WASHER 5/16
332	P06771332	HEX BOLT 5/16-18 X 1/2
337	P06771337	WING NUT 1/2
342	P06771342	WIRING COVER



Table Lift System Breakdown 2000 Series Parts

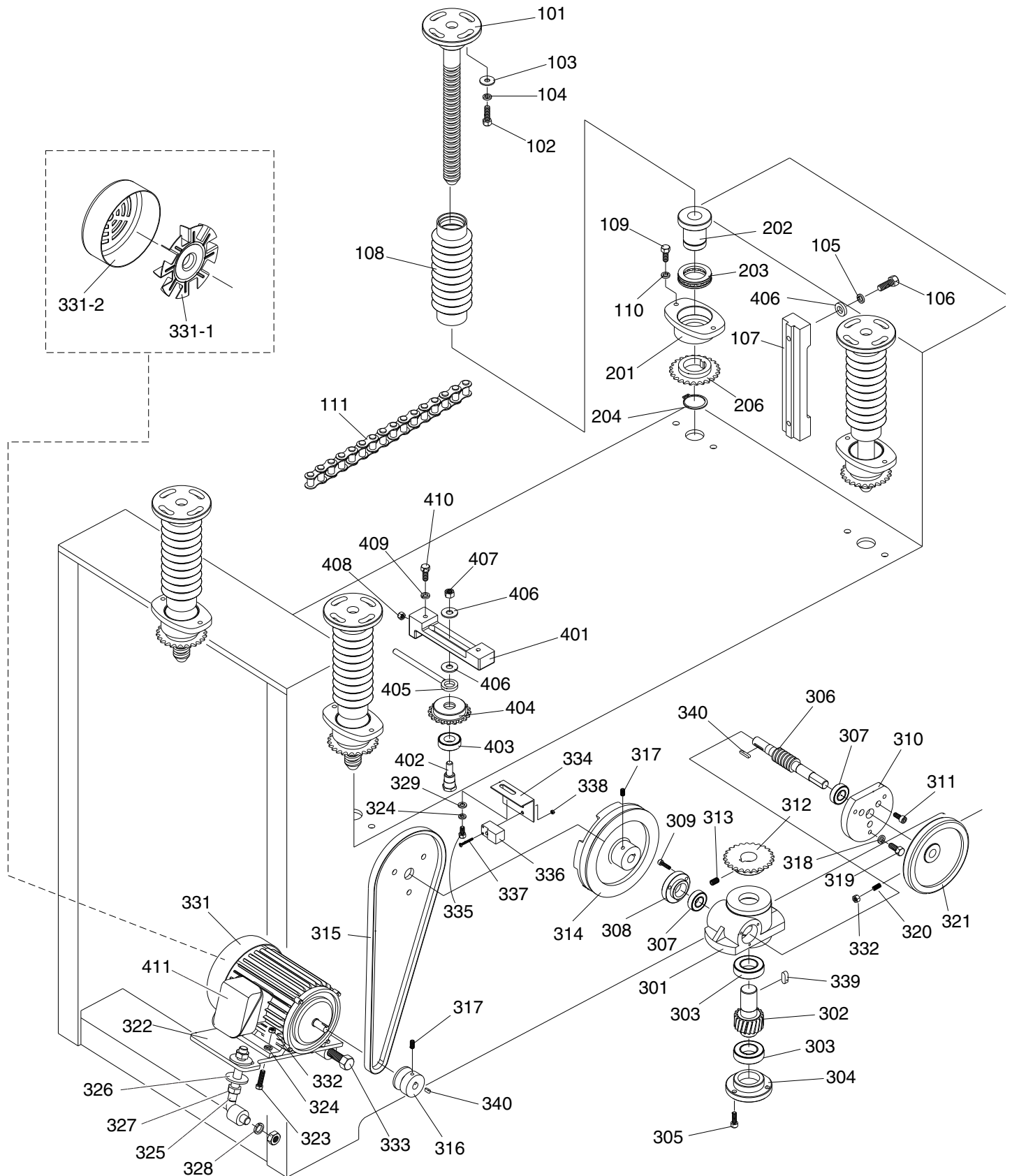


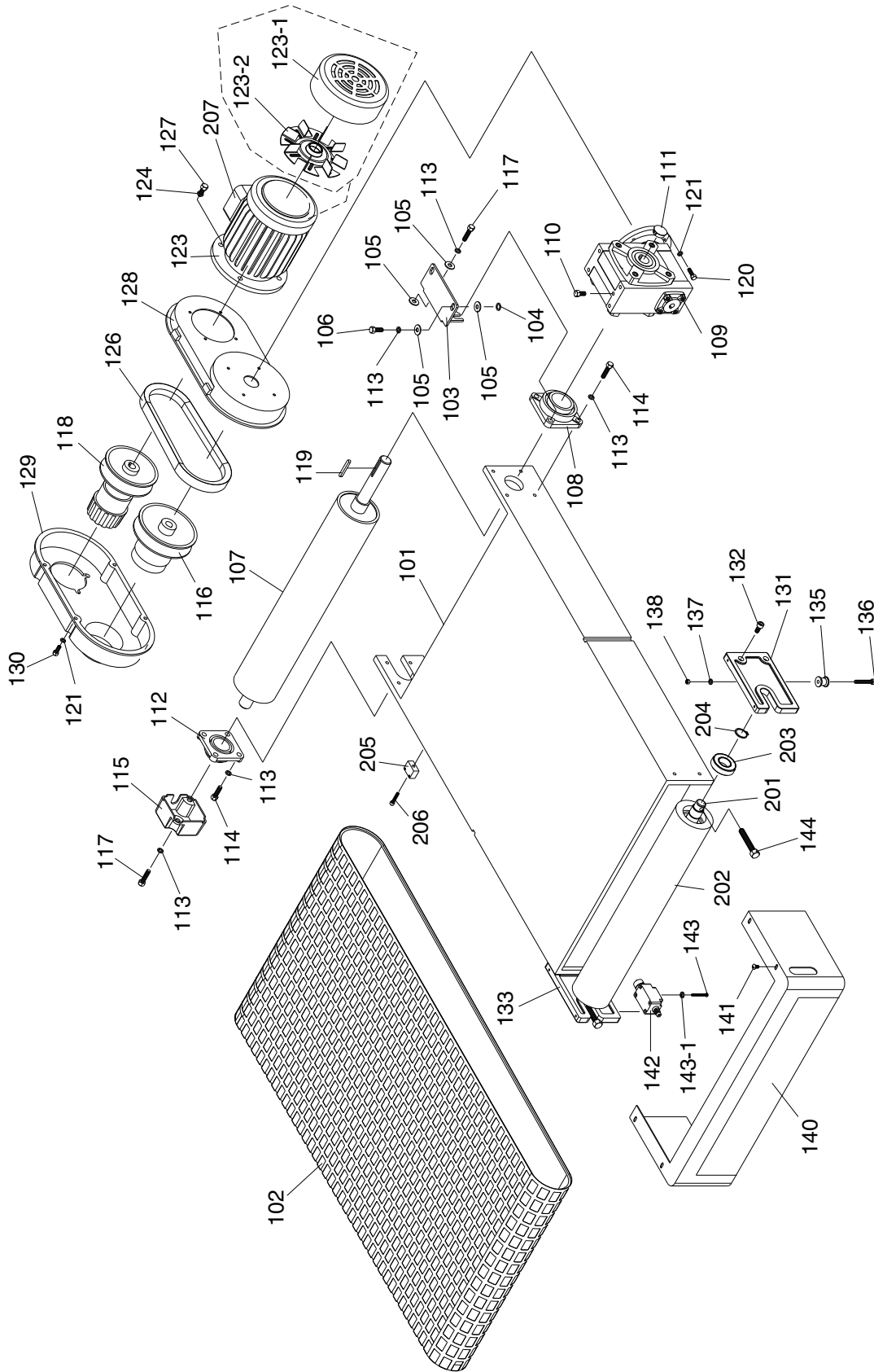
Table Lift System Parts List

REF	PART #	DESCRIPTION
101	PH29332101	ELEVATION SCREW
102	PB03	HEX BOLT 5/16-18 X 1
103	PW07	FLAT WASHER 5/16
104	PLW01	LOCK WASHER 5/16
105	PLW04	LOCK WASHER 3/8
106	PB18	HEX BOLT 3/8-16 X 1
107	PH29332107	ELEVATION SLIDE
108	PH29332108	DUST BOOT
109	PB07	HEX BOLT 5/16-18 X 3/4
110	PLW01	LOCK WASHER 5/16
111	PH29332111	CHAIN
201	PH29332201	NUT HOUSING
202	PH29332202	NUT
203	P51107	THRUST BEARING 51107
204	PR12M	EXT RETAINING RING 35MM
206	PH29332206	SPROCKET WHEEL
301	PH29332301	ELEVATION GEAR BOX
302	PH29332302	WORM GEAR
303	P6005	BALL BEARING 6005-ZZ
304	PH29332304	BEARING CAP
305	PSB05	CAP SCREW 1/4-20 X 3/4
306	PH29332306	WORM SHAFT
307	P6002	BALL BEARING 6002-ZZ
308	PH29332308	BEARING CAP
309	PSB31	CAP SCREW 10-24 X 5/8
310	PH29332310	BEARING CAP
311	PSB01	CAP SCREW 1/4-20 X 5/8
312	PH29332312	SPROCKET WHEEL
313	PSS08	SET SCREW 5/16-18 X 1/2
314	PH29332314	PULLEY
315	PVA36	V-BELT A-36 4L360
316	PH29332316	MOTOR PULLEY
317	PSS07	SET SCREW 1/4-20 X 1/2
318	PLW01	LOCK WASHER 5/16

REF	PART #	DESCRIPTION
319	PB07	HEX BOLT 5/16-18 X 3/4
320	PSS06	SET SCREW 1/4-20 X 3/4
321	PH29332321	HANDWHEEL
322	PH29332322	MOTOR BASE
323	PB31	HEX BOLT 1/4-20 X 1
324	PLW02	LOCK WASHER 1/4
325	PH29332325	ADJ. ROD
326	PW01	FLAT WASHER 1/2
327	PN41	HEX NUT 1/2-12
328	PLW07	LOCK WASHER 1/2
329	PW06	FLAT WASHER 1/4
331	PH29332331	MOTOR 1/4HP 220V/440V 3PH
331-1	PH29332331-1	MOTOR FAN
331-2	PH29332331-2	MOTOR FAN COVER
332	PN05	HEX NUT 1/4-20
333	PB89	HEX BOLT 1/2-12 X 4-1/2
334	PH29332334	PROXIMITY SWITCH PLATE
335	PB19	HEX BOLT 1/4-20 X 1/2
336	PH29332336	PROXIMITY SWITCH
337	P06772337	SPECIAL SCREW M3-.5 X 30
338	PN07M	HEX NUT M3-.5
339	PK14	KEY 5/16 X 5/16 X 3/4
340	PK48M	KEY 4 X 4 X 20
401	PH29332401	SPROCKET WHEEL ADJ.
402	PH29332402	SPROCKET WHEEL SHAFT
403	P6003	BALL BEARING 6003Z-Z
404	PH29332404	ADJ. SPROCKET
405	PH29332405	ADJ. ROD
406	PW02	FLAT WASHER 3/8
407	PN08	HEX NUT 3/8-16
408	PN02	HEX NUT 5/16-18
409	PLW01	LOCK WASHER 5/16
410	PB07	HEX BOLT 5/16-18 X 3/4
411	P06772411	WIRING COVER



Conveyor System Breakdown 3000 Series Parts



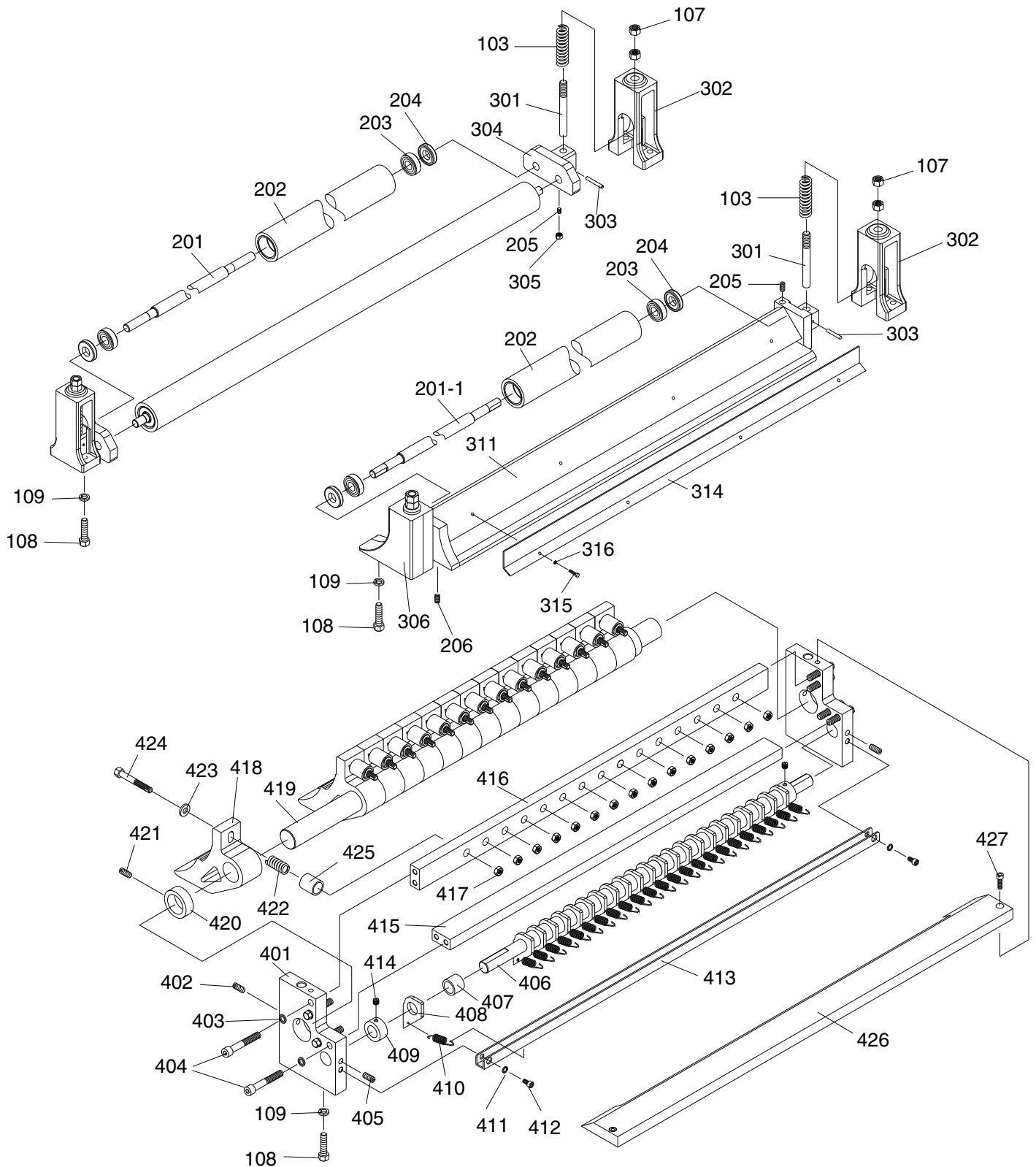
Conveyor System Parts List

REF	PART #	DESCRIPTION
101	PH29333101	CONVEYOR TABLE
102	PH29333102	CONVEYOR BELT
103	PH29333103	GEAR BOX FIXED PLATE
104	PH29333104	CUSHION
105	PW02	FLAT WASHER 3/8
106	PB32M	HEX BOLT M10-1.5 X 25
107	P06773107	OUTFEED ROLLER
108	PH29333108	BEARING UCF206
109	PH29333109	FEED BELT GEAR BOX
110	PH29333110	BREATHER
111	PH29333111	PLUG
112	PUCF205	BALL BEARING UCF205
113	PLW04	LOCK WASHER 3/8
114	PB24	HEX BOLT 3/8-16 X 1-1/4
115	PH29333115	BEARING CAP
116	PH29333116	DRIVE PULLEY
117	PB16	HEX BOLT 3/8-16 X 1-1/2
118	PH29333118	DRIVING PULLEY
119	PK151M	KEY 8 X 8 X 55
120	PB07M	HEX BOLT M8-1.25 X 25
121	PLW04M	LOCK WASHER 8MM
123	PH29333123	MOTOR 1HP 220V/440V 3PH
123-1	PH29333123-1	MOTOR FAN COVER
123-2	PH29333123-2	MOTOR FAN
124	PLW04	LOCK WASHER 3/8

REF	PART #	DESCRIPTION
126	PH29333126	TIMING BELT 1422V-290
127	PB32M	HEX BOLT M10-1.5 X 25
128	PH29333128	BASE PLATE
129	PH29333129	VARIABLE SPEED UNIT COVER
130	PSB14M	CAP SCREW M8-1.25 X 20
131	PH29333131	INFEED ROLLER BRACKET
132	PSB16	CAP SCREW 3/8-16 X 3/4
133	PH29333133	INFEED ROLLER BRACKET (L)
135	PH29333135	POSITION WHEEL
136	PSB70	CAP SCREW 5/16-18 X 2
137	PLW01	LOCK WASHER 5/16
138	PN02	HEX NUT 5/16-18
140	PH29333140	EMGNCY BRAKE PUSH PLATE
141	PS04	PHLP HD SCR 1/4-20 X 1/2
142	PH29333142	E-BRAKE LIMIT SWITCH
143	PS10	PHLP HD SCR 10-24 X 1-1/2
143-1	P06776322	SPRING GASKET 3/16
144	PB95	HEX BOLT 1/2-12 X 3
201	PH29333201	INFEED ROLLER SHAFT
202	PH29333202	INFEED ROLLER
203	P6206-RS	BALL BEARING 6206-RS
204	PR15M	EXT RETAINING RING 30MM
205	PH29333205	ELEVATION LIMITER
206	PSB62	CAP SCREW 1/4-20 X 1-1/2
207	P06773207	WIRING BOX



Feed, Drum, & Pressure Roller Breakdown 4000 Series Parts



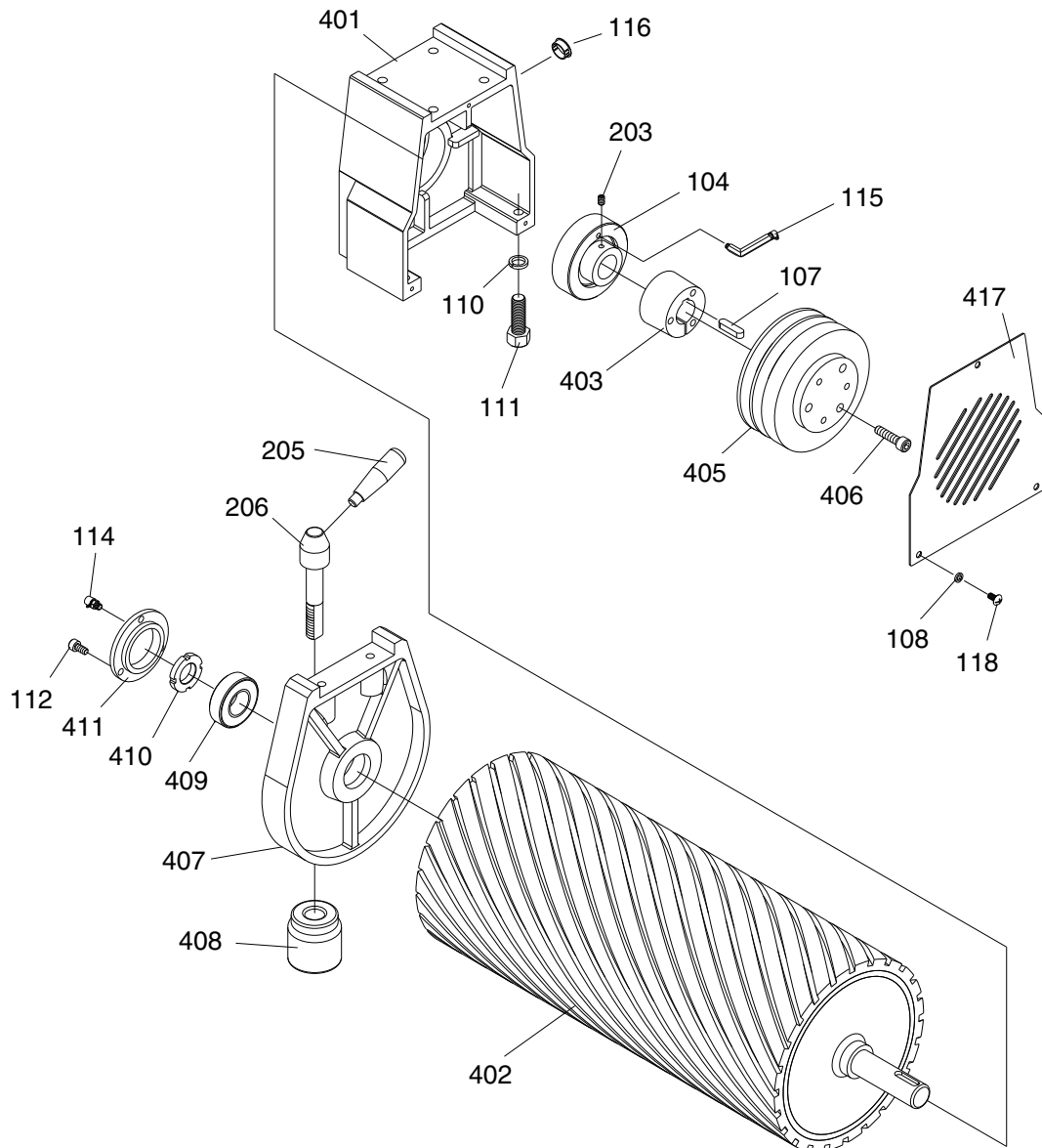
Feed, Drum, & Pressure Roller Parts List

REF	PART #	DESCRIPTION
103	P06774103	COMPRESSION SPRING
107	PN08	HEX NUT 3/8-16
108	PB12	HEX BOLT 5/16-18 X 1-1/4
109	PLW01	LOCK WASHER 5/16
201	P9962Z4201	PISTON ROLLER SHAFT
201-1	P04454201	PISTON ROLLER SHAFT
202	P9962Z4202	PISTON ROLLER
203	P6001	BALL BEARING 6001ZZ
204	P9962Z4204	SHAFT BEARING COLLAR
205	PSS06	SET SCREW 1/4-20 X 3/4
206	PSS07	SET SCREW 1/4-20 X 1/2
301	P9962Z4301	PISTON ROD
302	P9962Z4302	BRACKET
303	PRP55M	ROLL PIN 3 X 27
304	P99624304	SLIDE RAIL
305	PN05	HEX NUT 1/4-20
306	P04455301	BRACKET
311	P06774311	DEFLECTOR
314	P06774314	DUST GUARD PLATE
315	PB19	HEX BOLT 1/4-20 X 1/2
316	PLW02	LOCK WASHER 1/4
401	P06774401	CHIP BREAKER BRACKET
402	PSS08	SET SCREW 5/16-18 X 1/2
403	PLW01	LOCK WASHER 5/16

REF	PART #	DESCRIPTION
404	PSB08	CAP SCREW 5/16-18 X 1-1/2
405	PSS08	SET SCREW 5/16-18 X 1/2
406	P06774406	ANTI-KICKBACK FINGER SHAFT
407	P06774407	SPACER
408	P06774408	ANTI-KICKBACK FINGER PLATE
409	P06774409	FIXED BUSHING
410	P06774410	EXTENSION SPRING
411	PLW02	LOCK WASHER 1/4
412	PSB04	CAP SCREW 1/4-20 X 1/2
413	P06774413	SPRING BRACKET
414	PSS03	SET SCREW 1/4-20 X 3/8
415	P06774415	ANTI-KICKBACK FINGER BRACKET
416	P06774416	CHIP BREAKER SPRING BRACKET
417	P06774417	NYLON NUT 3/8
418	P06774418	CHIP BREAKER PAD
419	P06774419	CHIP BREAKER SHAFT
420	P06774420	CHIP BREAKER BUSHING
421	PSS10	SET SCREW 1/4-20 X 5/8
422	P06774422	COMPRESSION SPRING
423	PW02	FLAT WASHER 3/8
424	PB84	HEX BOLT 3/8-16 X 3-1/2
425	P06774425	SPACER
426	P06774426	CHIP BREAKER COVER
427	P06774427	SPECIAL CAP SCREW 1/4-20 x 5/8



Sanding Drum Breakdown 5000 Series Parts

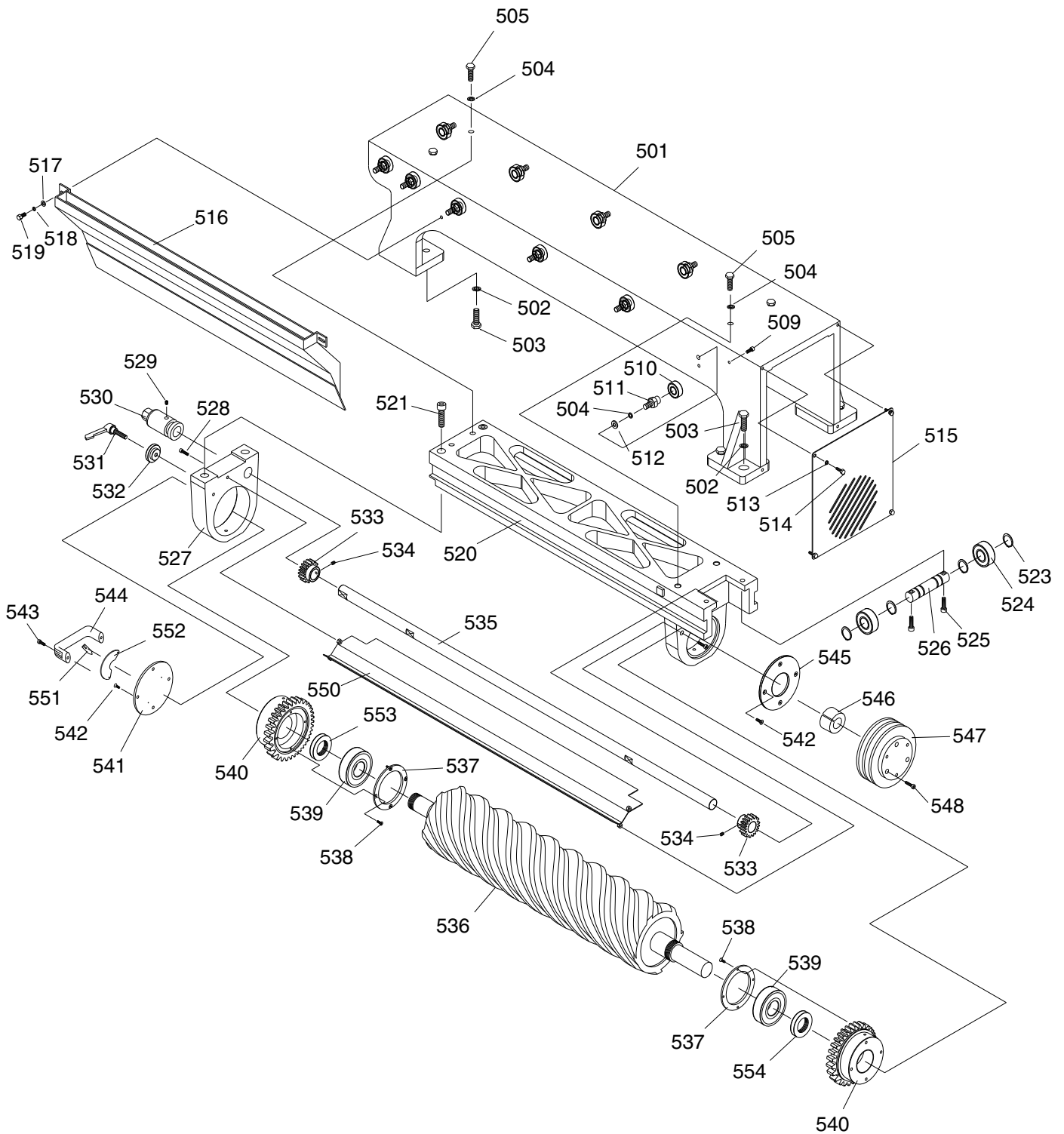


REF	PART #	DESCRIPTION
104	P9962Z5104	BEARING UCC206
107	PK11	KEY 5/16 X 5/16 X 1-3/16
108	PLW02	LOCK WASHER 1/4
110	PLW07	LOCK WASHER 1/2
111	PB41	HEX BOLT 1/2-12 X 1-1/2
112	PSB04	CAP SCREW 1/4-20 X 1/2
114	P9962Z5114	GREASE FITTING W/CAP
115	P06775115	GREASE FITTING W/CAP 90 DEG.
116	P9962Z5116	PLUG
118	PS07	PHLP HD SCR 1/4-20 X 3/8
203	PSS02M	SET SCREW M6-1 X 6
205	P9962Z5205	HANDLE

REF	PART #	DESCRIPTION
206	P9962Z5206	ROLLER LOCKDOWN SHAFT
401	P9962Z5401	BEARING HOUSING
402	P9962Z5402	ROLLER
403	P9962Z5403	FASTENING TUBE
405	P9962Z5405	PULLEY
406	PSB11	CAP SCREW 5/16-18 X 1-1/4
407	P9962Z5407	BEARING HOUSING
408	P9962Z5408	BRACKET PAD
409	P6206-2RS	BALL BEARING 6206-2RS
410	P9962Z5410	SPANNER NUT
411	P9962Z5411	BEARING CAP
417	P9962Z5417	COVER



Helical Cutterhead Breakdown 5000 Series Parts



Helical Cutterhead Parts List

REF	PART #	DESCRIPTION
501	P06775501	HELICAL CUTTERHEAD BASE
502	PLW07	LOCK WASHER 1/2
503	PB41	HEX BOLT 1/2-12 X 1-1/2
504	PLW07	LOCK WASHER 1/2
505	PB41	HEX BOLT 1/2-12 X 1-1/2
509	P06775509	SPECIAL SCREW 5/16-18 X 3/4
510	P6003	BALL BEARING 6003-ZZ
511	P06775511	SLIDER SHAFT
512	PW01	FLAT WASHER 1/2
513	PLW02	LOCK WASHER 1/4
514	PS07	PHLP HD SCR 1/4-20 X 3/8
515	P06775515	COVER
516	P06775516	AIR CHUTE
517	PW07	FLAT WASHER 5/16
518	PLW01	LOCK WASHER 5/16
519	PB09	HEX BOLT 5/16-18 X 1/2
520	P06775520	HELICAL CUTTERHEAD BRACKET
521	PSB79	CAP SCREW 1/2-12 X 3-1/2
523	PR15M	EXT RETAINING RING 30MM
524	P6206-2RS	BALL BEARING 6206-2RS
525	PSB78	CAP SCREW 1/2-12 X 1
526	P06775526	SHAFT OF SLIDER
527	P06775527	BEARING HOUSING SEAT
528	PSB62	CAP SCREW 1/4-20 X 1-1/2
529	PSS08	SET SCREW 5/16-18 X 1/2

REF	PART #	DESCRIPTION
530	P06775530	ADJ. SHAFT
531	P06775531	ADJ. HANDLE
532	P06775532	TIGHTEN CUSHION
533	P06775533	GEAR WHEEL
534	PSS02	SET SCREW 5/16-18 X 3/8
535	P06775535	ELEVATOR DRIVEN SHAFT
536	P06775536	HELICAL CUTTERHEAD
537	P06775537	BEARING HOUSING COVER
538	PFH08	FLAT HD SCR 10-24 X 1/2
539	P6206-2RS	BALL BEARING 6206-2RS
540	P06775540	BEARING HOUSING
541	P06775541	BEARING COVER (L)
542	PFH03	FLAT HD SCR 1/4-20 X 1/2
543	PSB07	CAP SCREW 5/16-18 X 3/4
544	P06775544	CUTTERHEAD SLIDE HANDLE
545	P06775545	BEARING COVER (R)
546	P06775546	PULLEY TUBE
547	P9962Z1110	PULLEY
548	PSB11	CAP SCREW 5/16-18 X 1-1/4
550	P06775550	PILOT OF AIR CHUTE
551	P06775551	VERNIER CALIPER POINTER
552	P06775552	VERNIER CALIPER
553	P06775553	SPACER
554	P06775554	SPACER



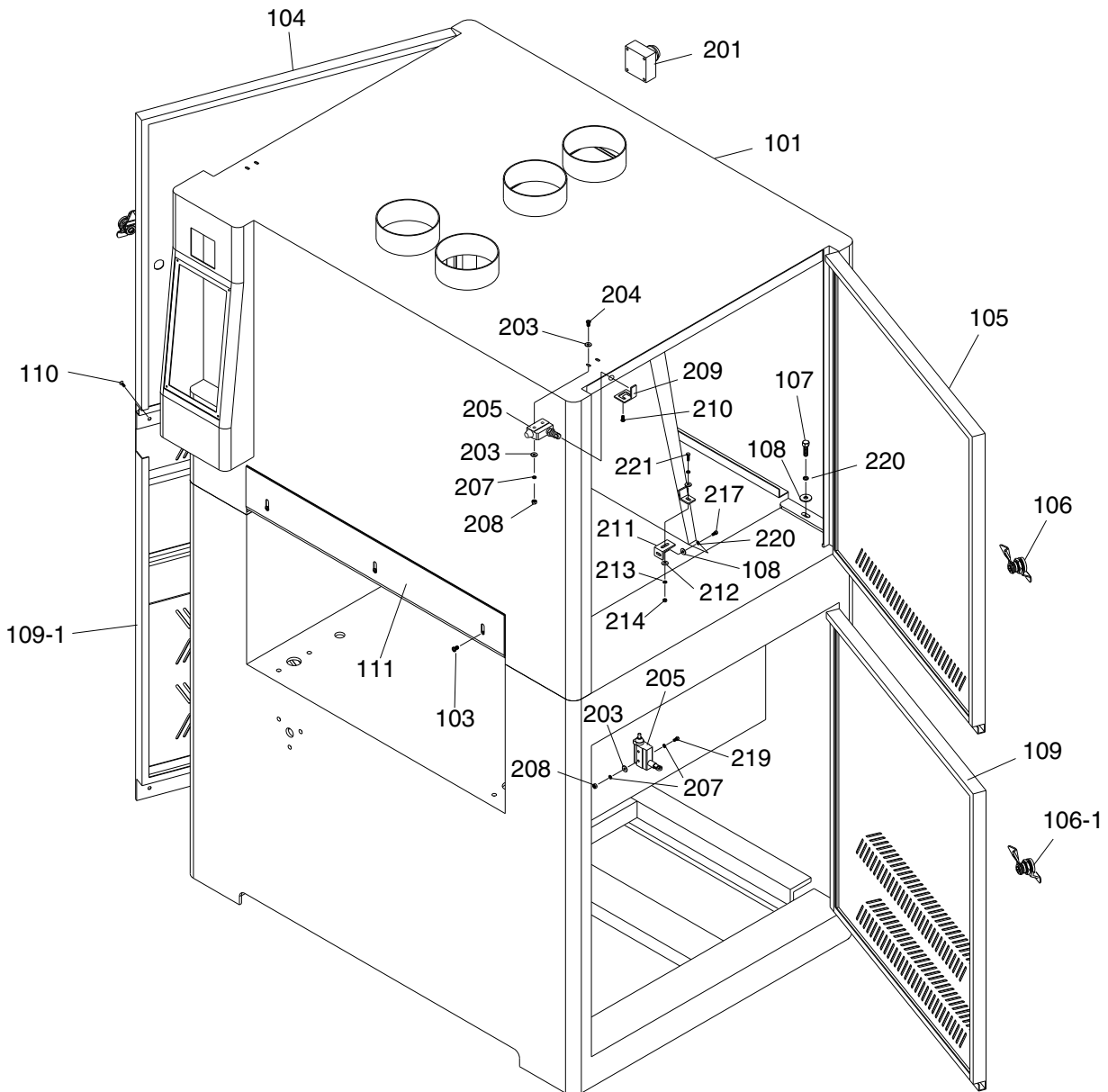
Upper Roller System Parts List

REF	PART #	DESCRIPTION
101	P9962Z6101	SQUARE FRAME
103	P9962Z6103	FRAME SEAL (R)
104	P9962Z6104	FRAME SEAL (L)
105	PFH03	FLAT HD SCR 1/4-20 X 1/2
106	PLW04	LOCK WASHER 3/8
107	PB18	HEX BOLT 3/8-16 X 1
108	PLW07	LOCK WASHER 1/2
109	PSB78	CAP SCREW 1/2-12 X 1
110	PH29333104	CUSHION
111	PSB07	CAP SCREW 5/16-18 X 3/4
112	PB09M	HEX BOLT M8-1.25 X 20
113	P9962Z6113	AIR CYLINDER
115	P9962Z6115	LIMIT SWITCH
116	P9962Z6116	LIMIT SWITCH TUBE - CERAMIC
116-1	P9962Z6116-1	LIMIT SWITCH TUBE - PLASTIC
116-2	P9962Z6116-2	LIMIT SWITCH HOLDER - L TYPE
117	P9962Z6117	LIMIT SWITCH HOLDER
118	P9962Z6118	AIR SENSOR NOZZLE (FEMALE)
119	P9962Z6119	AIR CYLINDER BRACKET
120	P9962Z6120	AIR SENSOR NOZZLE (MALE)
121	P9962Z6321	THROTTLE VALVE
122	P9962Z6122	THROTTLE VALVE BASE
123	P9962Z6123	PLATE
124	P9962Z6124	ALUMINUM DISC
125	P9962Z6125	OIL CUP
125-1	P9962Z6125-1	CUSHION
126	P9962X6126	ALUMINUM PLATE
127	PS52M	PHLP HD SCR M4-.7 X 20
128	P9962Z6128	BRACKET
129	PN11	HEX NUT 3/8-24
130	PW07	FLAT WASHER 5/16
131	PLW01	LOCK WASHER 5/16
132	PB09	HEX BOLT 5/16-18 X 1/2
133	PSB33	CAP SCREW 10-24 X 3/4
134	PN07	HEX NUT 10-24
135	P9962Z6135	OIL CUP CONNECTOR
136	P9962Z6136	OIL CUP SHAFT

REF	PART #	DESCRIPTION
137	PW03	FLAT WASHER #10
138	P06776138	CONNECTOR 1/8T X 3/8-24U
139	PSB08	CAP SCREW 5/16-18 X 1-1/2
201	P9962Z6201	UPPER ROLLER BRACKET
202	P9962Z6202	UPPER ROLLER
203	P9962Z6203	UPPER ROLLER BRACKET
204	P9962Z6204	BEARING UCC205
205	PSS02M	SET SCREW M6-1 X 6
206	PSB16	CAP SCREW 3/8-16 X 3/4
207	PLW04	LOCK WASHER 3/8
208	P9962Z6208	GREASE FITTING
301	P9962Z6301	TRIMMING ADJUSTER
302	P9962Z6302	ECCENTRIC ROD
303	PSB79	CAP SCREW 1/2-12 X 3-1/2
304	P06776304	GASKET 1/2
305	P9962Z6305	ECCENTRIC PIECE
306	P9962Z6306	UNIVERSAL JOINT FORK
307	PR05M	EXT RETAINING RING 15MM
308	PN02M	HEX NUT M10-1.5
309	P9962Z6309	AIR CYLINDER SHAFT
310	PN41	HEX NUT 1/2-12
311	P9962Z6311	BOTTOM COVER
312	P9962Z6312	COMPRESSION SPRING
313	P9962Z6313	ALUMINUM PLATE
314	PS14M	PHLP HD SCR M6-1 X 12
315	P9962Z6315	PLATE
316	P9962Z6316	TOP COVER
317	PN07	HEX NUT 10-24
318	PSB33	CAP SCREW 10-24 X 3/4
319	P9962Z6319	AIR CYLINDER BRACKET
320	P9962Z6320	ECCENTRIC SHAFT COLLAR
322	PLW03	LOCK WASHER 10-24
323	PN02	HEX NUT 5/16-18
324	PFH25M	FLAT HD SCR M4-.7 X 12
325	PB07	HEX BOLT 5/16-18 X 3/4
326	PS05M	PHLP HD SCR M5-.8 X 8



Cabinet Assembly Breakdown 7000 Series Parts

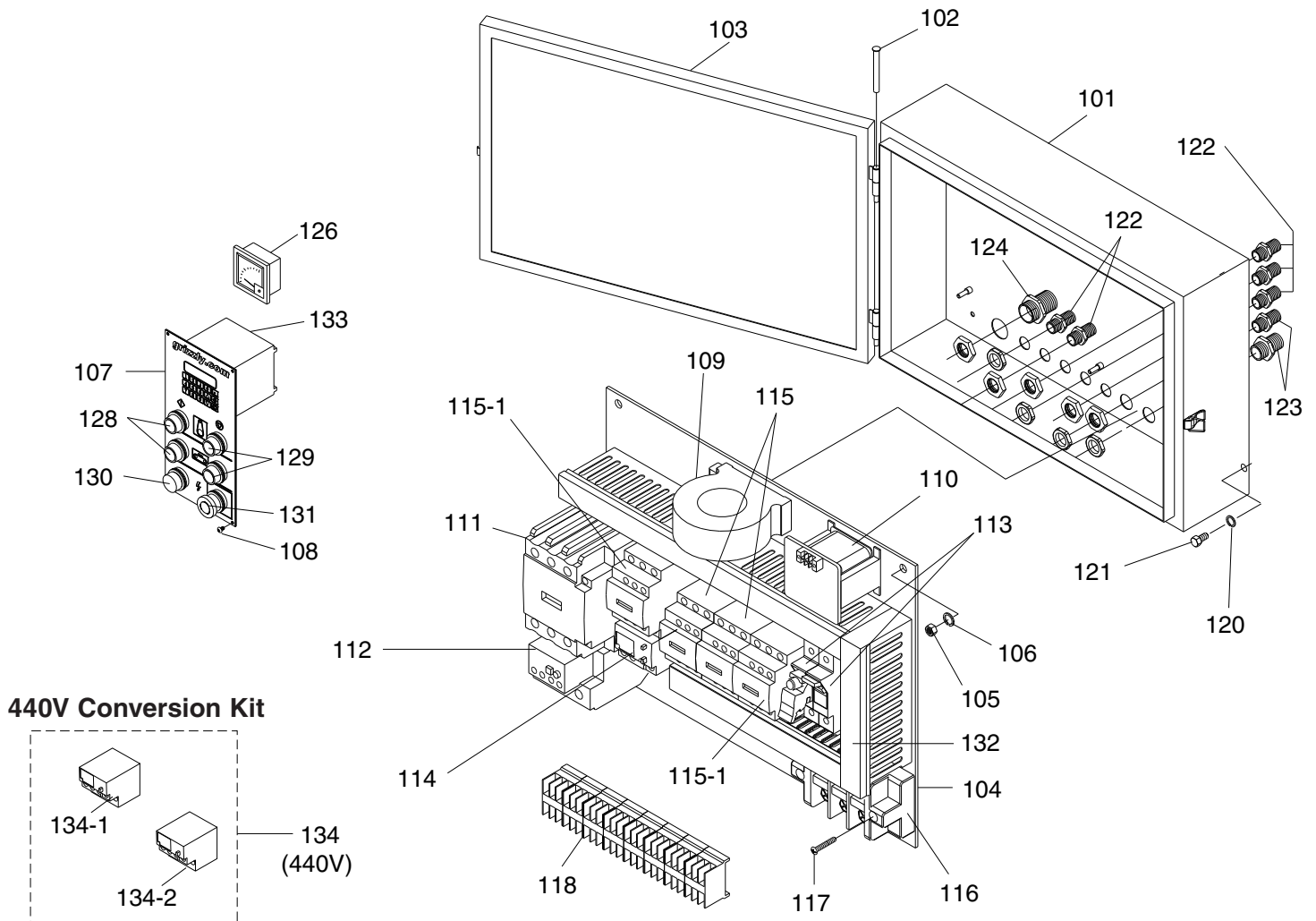


REF	PART #	DESCRIPTION
101	P06777101	UPPER FRAME COVER
103	PS68M	PHLP HD SCR M6-1 X 10
104	PH29337104	UPPER LEFT DOOR
105	PH29337105	UPPER RIGHT DOOR
106	PH29337106	DOOR LOCK
106-1	PH29337106-1	DOOR LOCK (LOWER FRAME)
107	PSB07	CAP SCREW 5/16-18 X 3/4
108	PW07	FLAT WASHER 5/16
109	P06777109	RIGHT DOOR, LOWER FRAME
109-1	PH29337109-1	LEFT DOOR, LOWER FRAME
110	PFH03	FLAT HD SCR 1/4-20 X 1/2
111	PH29337111	EMERGENCY STOP PLATE
201	P06777201	EMERGENCY STOP SWITCH
203	PW08	FLAT WASHER #8

REF	PART #	DESCRIPTION
204	P06777204	PHLP HD SCR #8-32 X 1-1/4
205	P06777205	POWER OFF SWITCH
207	PLW11	LOCK WASHER #8
208	PN14	HEX NUT #8-32
209	P06777209	LIMIT SWITCH HOLDER
210	PS03M	PHLP HD SCR M6-1 X 8
211	P06777211	AIR CHUTE FIX PLATE
212	PW06	FLAT WASHER 1/4
213	PLW02	LOCK WASHER 1/4
214	PN05	HEX NUT 1/4-20
217	PB09	HEX BOLT 5/16-18 X 1/2
219	P06777219	PHLP HD SCR #8-32 X 1-1/2
220	PLW01	LOCK WASHER 5/16
221	P06777221	HEX BOLT 1/4 X 3/4



Main Wiring Panel & Controls Breakdown 8000 Series Parts



REF	PART #	DESCRIPTION
101	PH29338101	ELECTRICAL CONTROL BOX
102	PH29338102	HINGE
103	PH29338103	DOOR
104	PH29338104	BASE PLATE
105	PN05	HEX NUT 1/4-20
106	PLW02	LOCK WASHER 1/4
107	PH29338107	CONTROL PANEL
108	PS07M	PHLP HD SCR M4-.7 X 8
109	PH29338109	CURRENT SENSOR
110	PH29338110	TRANSFORMER
111	PH29338111	CONTACTOR LC1-D40
112	PH29338112	RELAY LR3D-3355 220V (30-40A)
113	PH29338113	FUSE TE10.3 X 38 & 500V/4A X 2
114	PH29338114	RELAY LR3D-086 220V (2.5-4A)
115	PH29338115	CONTACTOR LC1-D096 (WITH LOCK)
115-1	PH29338115-1	CONTACTOR LC1-D096

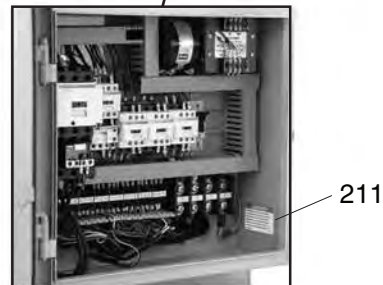
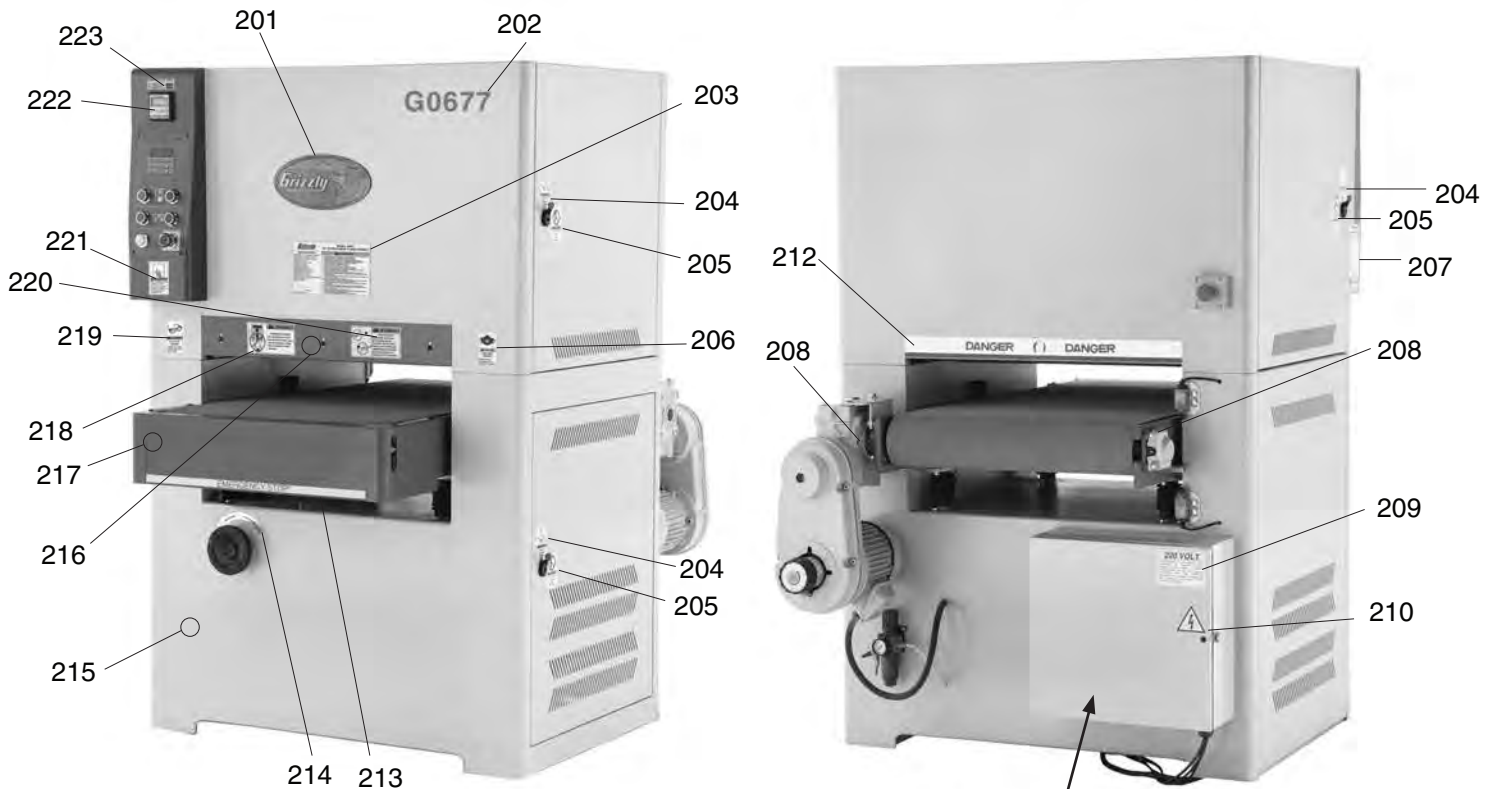
REF	PART #	DESCRIPTION
116	PH29338116	POWER WIRE TERMINAL
117	PS51M	PHLP HD SCR M4-.7 X 30
118	PH29338118	TERMINAL PLATE
120	PLW02	LOCK WASHER 1/4
121	PB19	HEX BOLT 1/4-20 X 1/2
122	PH29338122	PU CONNECTOR 1/2"
123	PH29338123	PU CONNECTOR 1/4"
124	PH29338124	CABLE CONNECTOR 1"
126	PH29338126A	DIGITAL AMP METER V2.02.06
128	PH29338128	START SWITCH
129	PH29338129	STOP SWITCH
130	PH29338130	POWER INDICATION LIGHT
131	PH29338131	EMERGENCY STOP SWITCH
132	PH29338132	WIRE COLUMN
133	PH29338133	COMPUTER

440V Conversion Kit

REF	PART #	DESCRIPTION
134	P06778134	440V CONVERSION KIT
134-1	PH29338134	RELAY LR3D-3322 440V (17-25A)
134-2	PH29338135	RELAY LR3D-076 440V (1.6-2.5A)



Labels and Cosmetic Parts Breakdown 9000 Series Parts



REF	PART #	DESCRIPTION
201	G8589	LARGE GRIZZLY NAMEPLATE
202	P06779202	MODEL G0677 LABEL
203	P06779203	MACHINE ID LABEL
204	PLABEL-13	DISCONNECT SANDER 220V
205	PLABEL-30	DOOR CLOSED LABEL
206	PLABEL-61A	RESPIRATOR LABEL
207	PLABEL-27	MM CONVERSION CHART
208	P06779208	GREASE FITTING LUBRICATION
209	PLABEL-34C	PREWIRED 220V LABEL
210	PLABEL-14	ELECTRICITY LABEL
211	P06779211	PHASE CONVERTER NOTICE
212	P06779212	DANGER STRIP
213	P06779213	EMERGENCY STOP STRIPE
214	P06779214	ROTATION LABEL
215	PPAINT-11	GREY PUTTY TOUCH UP PAINT
216	PPAINT-16	RED TOUCH UP PAINT

REF	PART #	DESCRIPTION
217	PPAINT-1	GRIZZLY GREEN TOUCH UP PAINT
218	P06779218	KICKBACK HAZARD LABEL
219	PLABEL-11	SAFETY GLASSES LABEL
220	P06779220	PINCH HAZARD LABEL
221	PLABEL-12A	READ MANUAL LABEL
222	P06779222	LOAD METER FACE LABEL
223	P06779223	AMP LOAD CHART

WARNING

Safety labels warn about machine hazards and ways to prevent injury. The owner of this machine **MUST** maintain the original location and readability of the labels on the machine. If any label is removed or becomes unreadable, **REPLACE** that label before using the machine again. Contact Grizzly at (800) 523-4777 or www.grizzly.com to order new labels.

