



MODEL G0554 GEAR-HEAD FLOOR LATHE MANUAL INSERT

The spindle motor for the Model G0554 has been changed as of August, 2008. The changes to the spindle motor wiring diagram and parts listing are included in this manual insert.

Keep this insert with your original Model G0554 Owner's Manual for future reference. If you have any additional questions about this manual insert for the Model G0554, contact our Technical Support at (570) 546-9663 or email techsupport@grizzly.com.

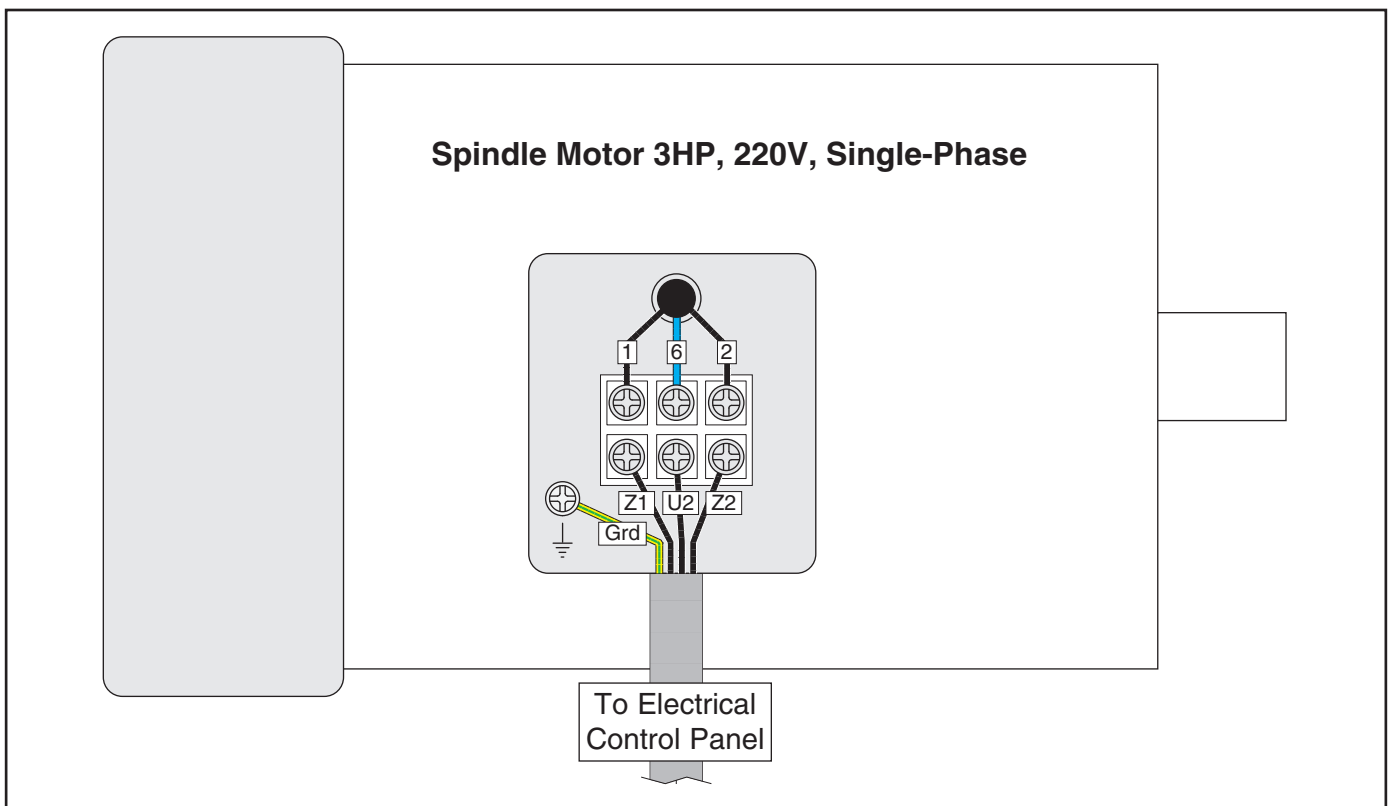
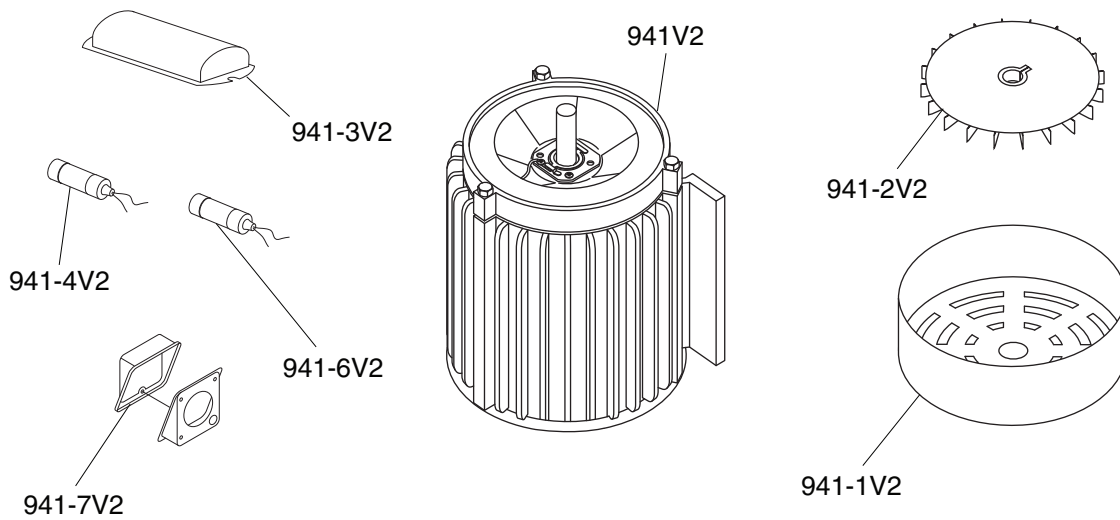


Figure 1. Model G0554 spindle motor wiring diagram as of August, 2008.

Parts Breakdown and List

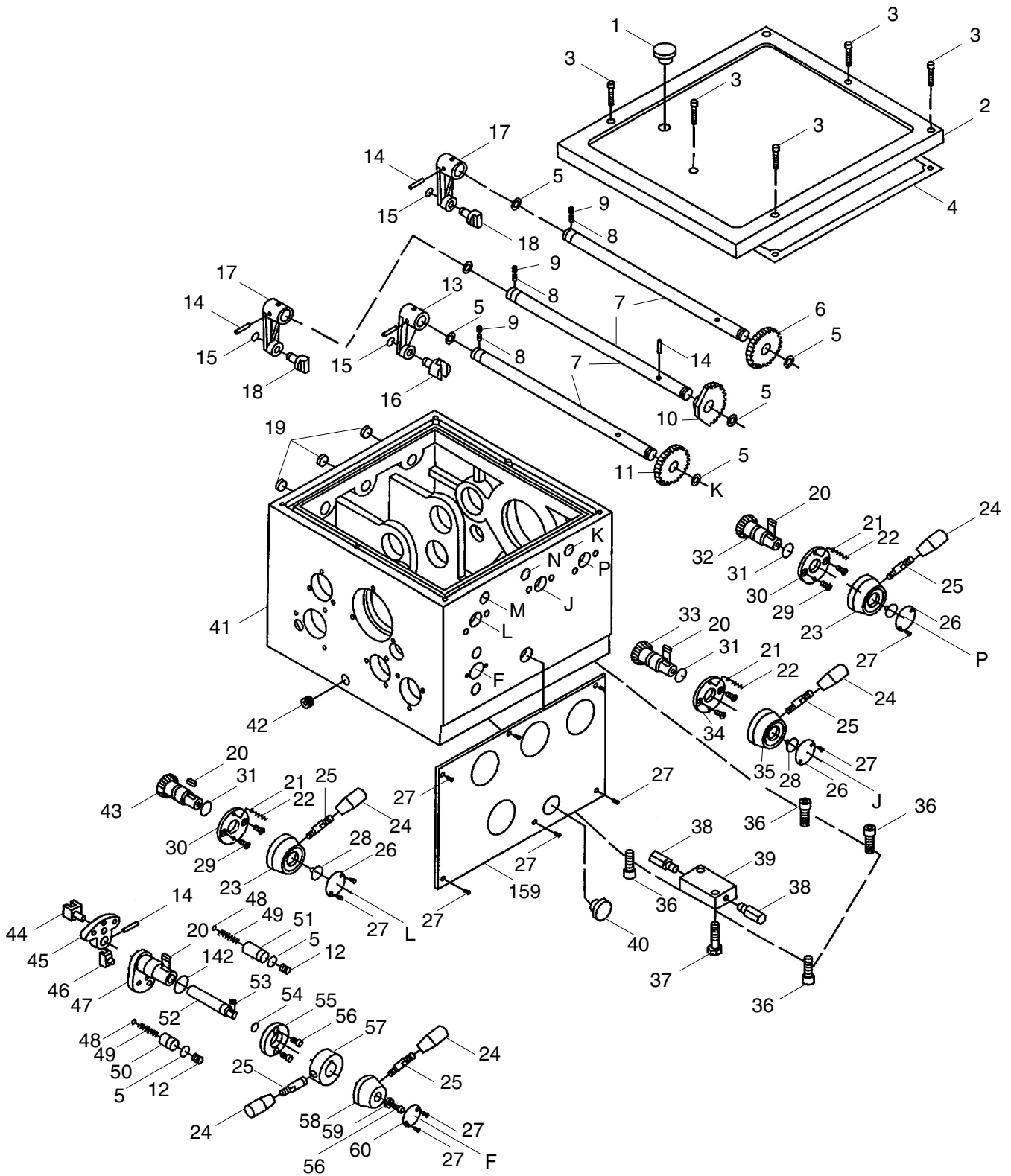


REF	PART #	DESCRIPTION
941V2	P0554941V2	MOTOR 3HP 220V 1PH V2.08.08
941-1v2	P0554941-1V2	MOTOR FAN COVER V2.08.08
941-2V2	P0554941-2V2	MOTOR FAN V2.08.08
941-3V2	P0554941-3V2	CAPACITOR COVER V2.08.08

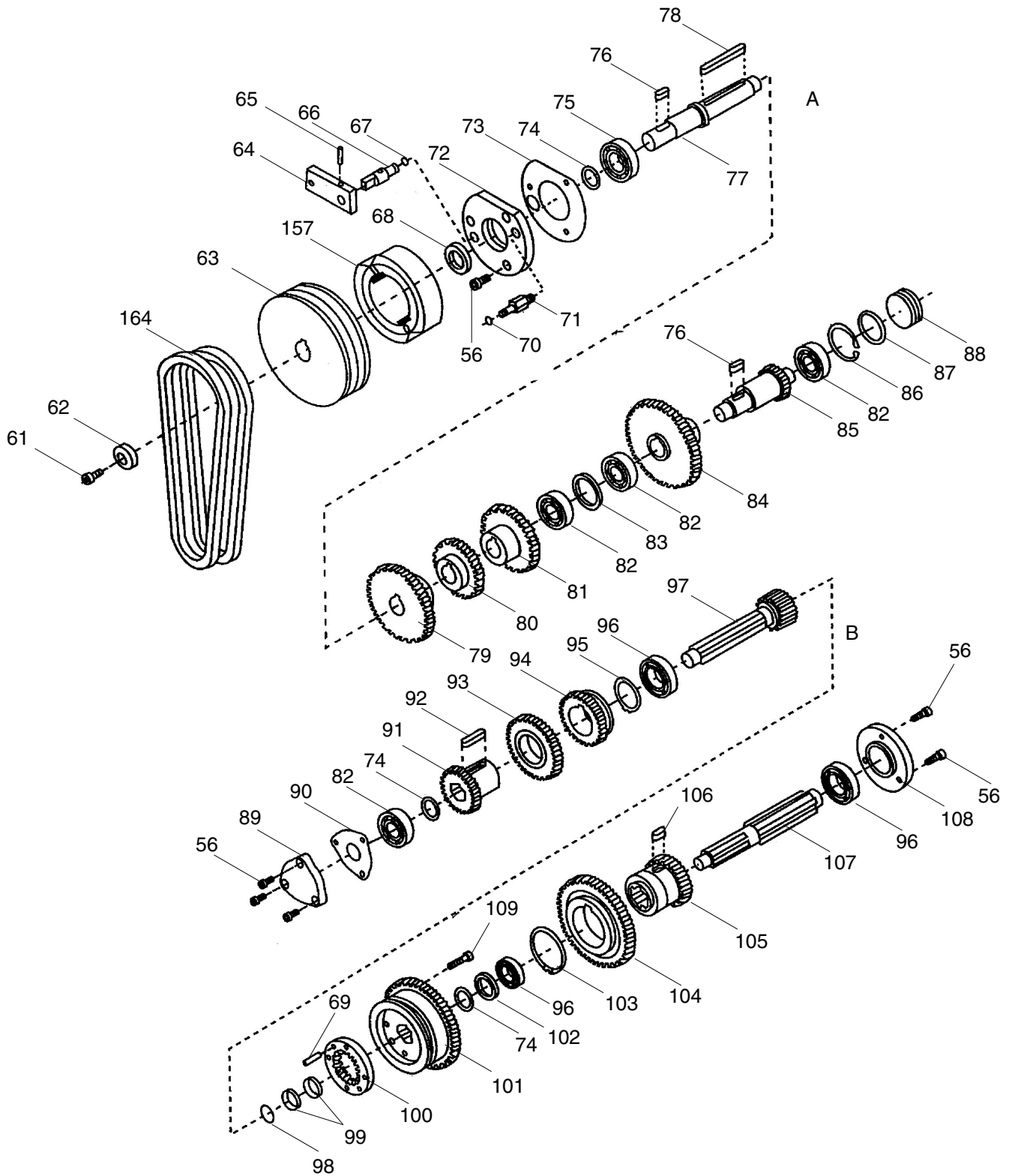
REF	PART #	DESCRIPTION
941-4V2	P0554941-4V2	S CAPACITOR 800M 250V V2.08.08
941-6V2	P0554941-6V2	R CAPACITOR 60M 250V V2.08.08
941-7V2	P0554941-7V2	WIRING JUNCTION BOX V2.08.08



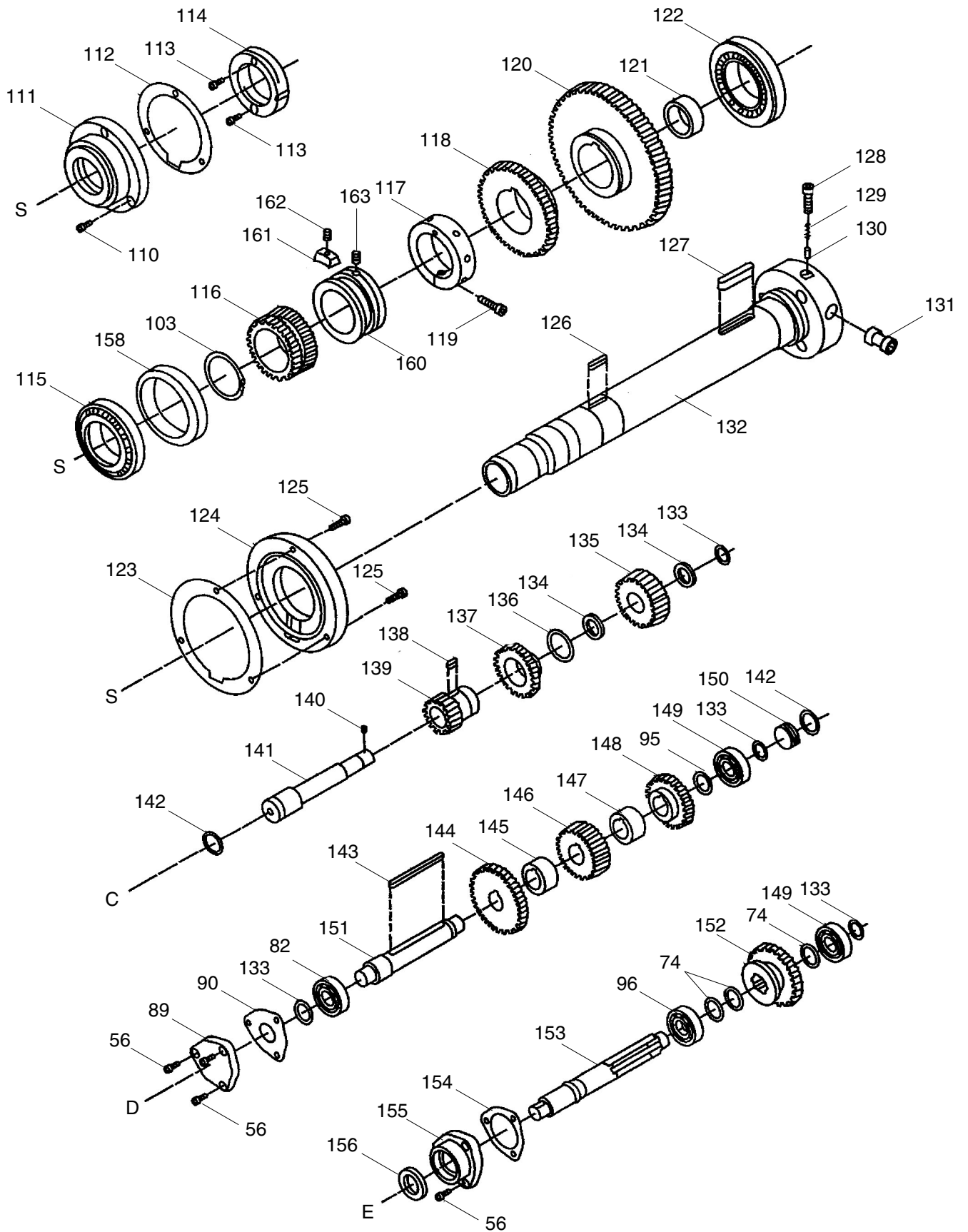
Headstock Assembly



Headstock Assembly



Headstock Assembly



Headstock Parts List

REF	PART #	DESCRIPTION
1	P0554001	PLUG
2	P0554002	HEADSTOCK COVER
3	PSB48M	CAP SCREW M6-1 X 35
4	P0554004	GASKET
5	P0554005	O-RING
6	P0554006	GEAR 38T
7	P05540107	SHAFT
8	PSS01M	SET SCREW M6-1 X 10
9	PSS02M	SET SCREW M6-1 X 6
10	P0554010	GEAR 48T
11	P0554011	GEAR 43T
12	PSS15M	SET SCREW M12-1.75 X 12
13	P0554013	SHIFT ARM
14	PRP05M	ROLL PIN 5 X 30
15	PR03M	EXT RETAINING RING 12MM
16	P0554016	SHIFT FORK
17	P0554017	SHIFT ARM
18	P0554018	GEAR SHIFTER
19	P0554019	PLUG
20	PK08M	KEY 5 X 5 X 16
21	P0554021	STEEL BALL
22	P0554022	COMPRESSION SPRING
23	P0554023	HANDLE BODY
24	P0554024	HANDLE CAP
25	P0554025	HANDLE LEVER
26	P0554026	LEVER NAME PLATE
27	PS12M	PHLP HD SCR M3-.5 X 6
28	PW03M	FLAT WASHER 6MM
29	PSB26M	CAP SCREW M6-1 X 12
30	P0554030	POSITION PLATE
31	P0554031	O-RING
32	P0554032	GEAR SHAFT 22T
33	P0554033	GEAR SHAFT 17T
34	P0554034	POSITION PLATE
35	P0554035	HANDLE BODY
36	PSB111M	CAP SCREW M12-1.75 X 35
37	P0554037	ALIGNMENT BOLT M10 X 40
38	P0554038	ALIGNMENT BOLT M12 X 17
39	P0554039	ALIGNMENT BLOCK
40	P0554040	OIL SIGHT GLASS
41	P0554041	HEADSTOCK CASTING 14"
42	P0554042	DRAIN PLUG
43	P0554043	GEAR SHAFT 27T
44	P0554044	SHAFT FORK
45	P0554045	SHIFTING CRANK
46	P0554046	SHAFT FORK
47	P0554047	SHIFTING CRANK
48	P0554048	STEEL BALL 9
49	P0554049	COMPRESSION SPRING
50	P0554050	SHAFT

REF	PART #	DESCRIPTION
51	P0554051	SHAFT
52	P0554052	SHAFT
53	PK05M	KEY 4 X 4 X 10
54	P0554054	O-RING 12.6 X 2.65
55	P0554055	COLLAR
56	PSB26M	CAP SCREW M6-1 X 12
57	P0554057	COLLAR
58	P0554058	HANDLE BODY
59	PW03M	FLAT WASHER 6MM
60	P0554060	INDICATOR DISC
61	PSB14M	CAP SCREW M8-1.25 X 20
62	PW01M	FLAT WASHER 8MM
63	P0554063	PULLEY
64	P0554064	BREAK BLOCK
65	PRP24M	ROLL PIN 5 X 16
66	P0554066	BREAK ACTUATOR SHAFT
67	PR03M	EXT RETAINING RING 12MM
68	P0554068	SPACER SD 25 X 45 X 7
69	PRP46M	ROLL PIN 6 X 28
70	PR39M	EXT RETAINING RING 8MM
71	P0554071	BRAKE RETAINER STUD
72	P0554072	COVER
73	P0554073	GASKET
74	PR11M	EXT RETAINING RING 25MM
75	P6205	BALL BEARING 6205ZZ
76	PK107M	KEY 8 X 8 X 20
77	P0554077	SHAFT
78	P0554078	KEY 8 X 8 X 72
79	P0554079	GEAR 50T
80	P0554080	GEAR 37T
81	P0554081	GEAR 43T
82	P6204	BALL BEARING 6204ZZ
83	PW13M	FLAT WASHER 20MM
84	P0554084	GEAR 57T
85	P0554085	GEAR SHAFT
86	PR25M	INT RETAINING RING 47MM
87	P0554087	O-RING 40 X 2.65
88	P0554088	PLUG
89	P0554089	BEARING CAP
90	P0554090	BEARING CAP GASKET
91	P0554091	GEAR 28T
92	PK121M	KEY 8 X 8 X 38
93	P0554093	GEAR 41T
94	P0554094	GEAR 34T
95	PR68M	EXT RETAINING RING 40MM
96	P6005	BALL BEARING 6005ZZ
97	P0554097	GEAR SHAFT 21T
98	PR18M	EXT RETAINING RING 17MM
99	P0554099	BALL BEARING 61803/P5
100	P0554100	GEAR 21T



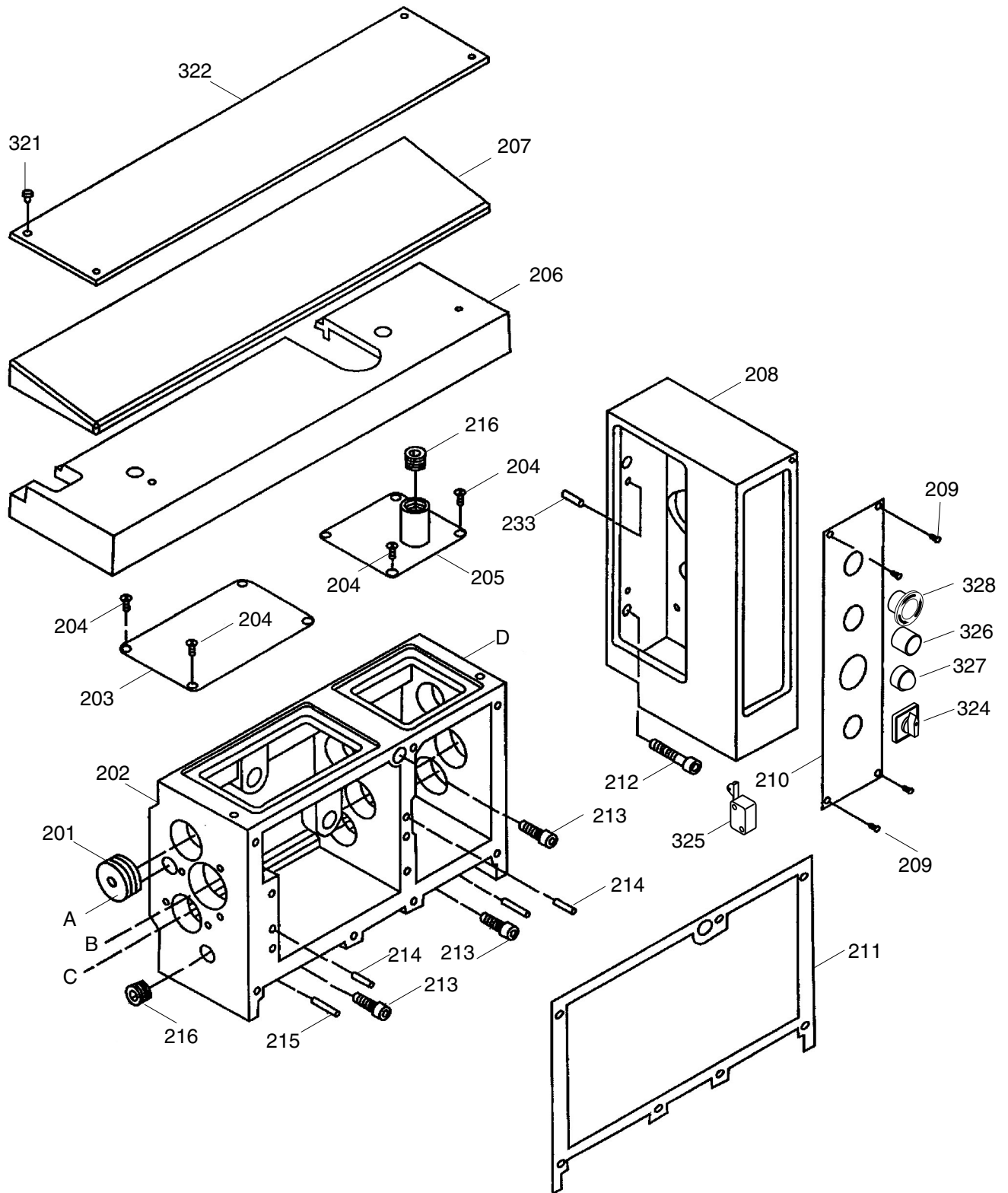
Headstock Parts List

REF	PART #	DESCRIPTION
101	P0554101	GEAR 58T
102	PW19M	FLAT WASHER 25MM
103	PR78M	EXT RETAINING RING 55MM
104	P0554104	GEAR 59T
105	P0554105	GEAR 31T
106	PK122M	KEY 10 X 10 X 18
107	P0554107	SPLINE SHAFT
108	P0554108	COVER
109	PSB48M	CAP SCREW M6-1 X 35
110	PSB01M	CAP SCREW M6-1 X 16
111	P0554111	COVER
112	P0554112	GASKET
113	PSB33M	CAP SCREW M5-.8 X 12
114	P0554114	COLLAR M55 X 1.5
115	P0554115	TAPERED BEARING 32011/P5
116	P0554116	GEAR 38T
117	P0554117	LOCK COLLAR
118	P0554118	GEAR 59T
119	PSB13M	CAP SCREW M8-1.25 X 30
120	P0554120	GEAR 87T
121	P0554121	COLLAR
122	P0554122	TAPERED BEARING 320212/P5
123	P0554123	GASKET
124	P0554124	COVER
125	PSB02M	CAP SCREW M6-1 X 20
126	PK42M	KEY 6 X 6 X 30
127	PK123M	KEY 10 X 10 X 55
128	PSB11M	CAP SCREW M8-1.25 X 16
129	P0554129	COMPRESSION SPRING
130	P0554130	CAMLOCK SET PIN
131	P0554131	CAMLOCK
132	P0554132	SPINDLE

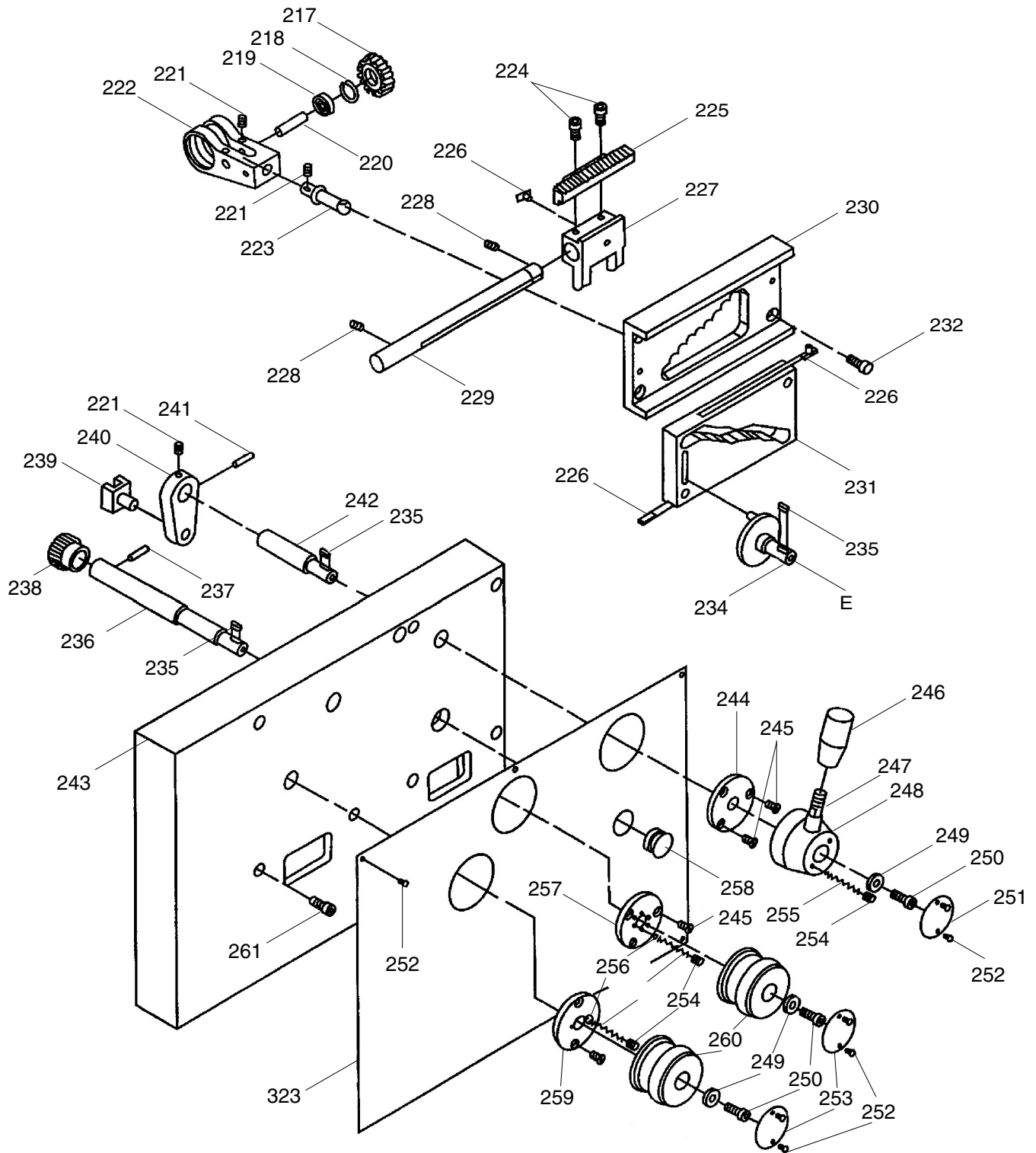
REF	PART #	DESCRIPTION
133	PR09M	EXT RETAINING RING 20MM
134	P0554134	SPACER
135	P0554135	GEAR 32T
136	PR77M	EXT RETAINING RING 37MM
137	P0554137	GEAR 32T
138	PK08M	KEY 5 X 5 X 16
139	P0554139	GEAR 32T
140	PSS04M	SET SCREW M6-1 X 12
141	P0554141	SHAFT
142	P0554142	O-RING 25 X 2.65
143	PK100M	KEY 6 X 6 X 90
144	P0554144	GEAR 42T
145	P0554145	COLLAR
146	P0554146	GEAR 32T
147	P0554147	COLLAR
148	P0554148	GEAR 32T
149	P6004	BALL BEARING 6004ZZ
150	P0554150	PLUG
151	P0554151	SHAFT (D)
152	P0554152	GEAR 38T
153	P0554153	SPLINE SHAFT (E)
154	P0554154	HOUSING GASKET
155	P0554155	HOUSING
156	P0554156	SPACER SD25 X 40 X 7
157	P0554157	BRAKE SHOE ASSEMBLY
158	P0554158	COLLAR
159	P0554159	COVER W/WARNING LABELS
160	P0554160	BALANCE SPACE
161	P0554161	BALANCE BLOCK
162	PSS04M	SET SCREW M6-1 X 12
163	PSS14M	SET SCREW M8-1.25 X 12
164	PVA67	V-BELT PVA67



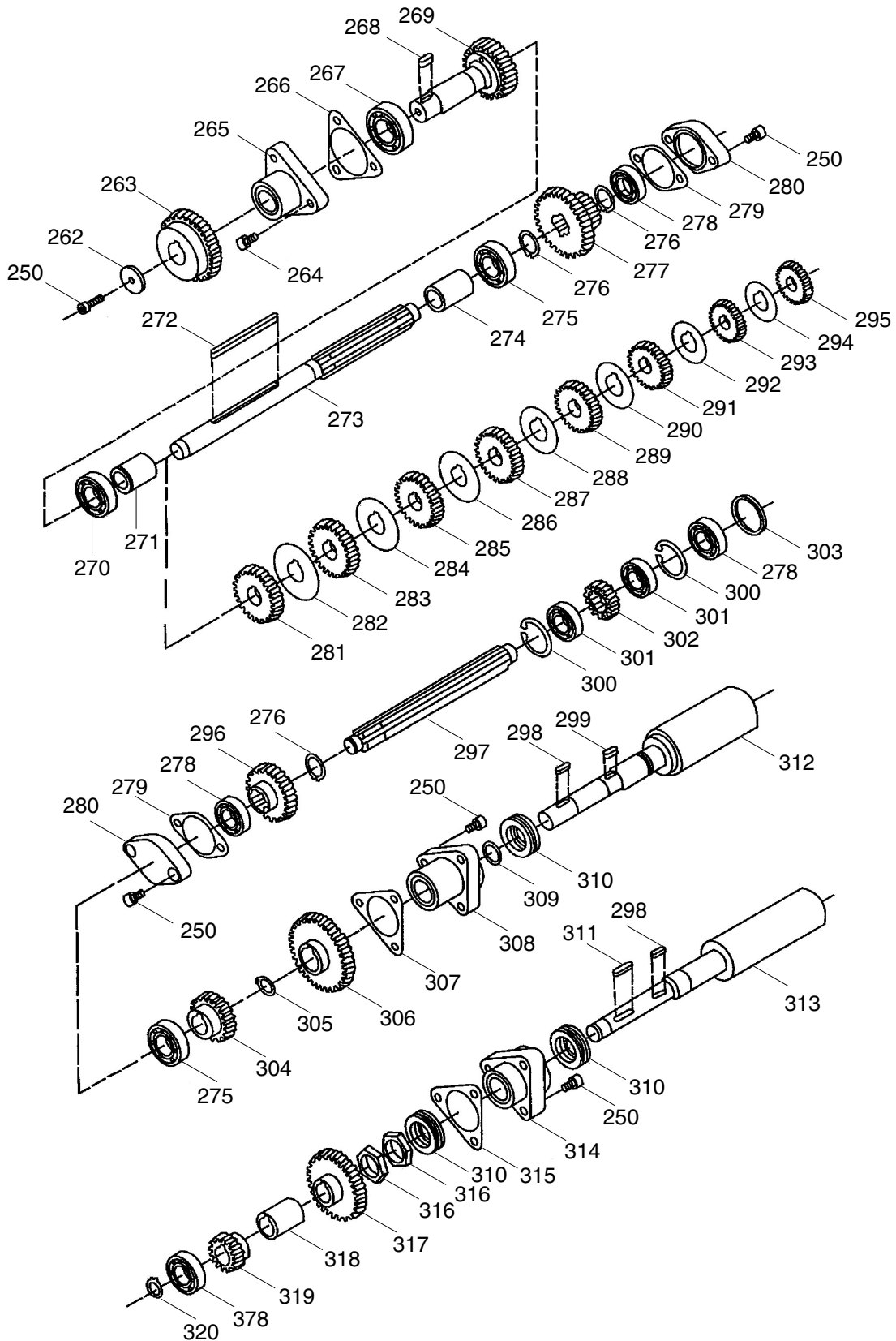
Gearbox Assembly



Gearbox Assembly



Gearbox Assembly



Gearbox Parts List

REF	PART #	DESCRIPTION
201	P0554201	PLUG
202	P0554202	GEARBOX CASTING
203	P0554203	FRONT COVER
204	PFH19M	FLAT HD SCR M4-.7 X 10
205	P0554205	OIL COVER
206	P0554206	COVER
207	P0554207	TOP COVER
208	P0554208	BRACKET
209	PS12M	PHLP HD SCR M3-.5 X 6
210	P0554210	ELECTRICAL PLATE
211	P0554211	GEARBOX GASKET
212	PSB12M	CAP SCREW M8-1.25 X 40
213	PSB31M	CAP SCREW M8-1.25 X 25
214	PRP03M	ROLL PIN 5 X 20
215	PRP27M	ROLL PIN 5 X 28
216	P0554216	PLUG
217	P0554217	GEAR 16T
218	PR08M	EXT RETAINING RING 19MM
219	P0554219	BEARING 6198/P5
220	P0554220	SHAFT
221	PSS03M	SET SCREW M6-1 X 8
222	P0554222	SHIFTER
223	P0554223	SHAFT
224	PSB02M	CAP SCREW M6-1 X 20
225	P0554225	RACK
226	P0554226	SHIFT KEY
227	P0554227	SHIFT FORK
228	PSS03M	SET SCREW M6-1 X 8
229	P0554229	SHAFT
230	P0554230	LOCATING PLATE
231	P0554231	CONTROL PLATE
232	PSB26M	CAP SCREW M6-1 X 12
233	PRP90M	ROLL PIN 8 X 30
234	P0554234	SHIFT HUB
235	PK05M	KEY 4 X 4 X 10
236	P0554236	SHAFT
237	PRP03M	ROLL PIN 5 X 20
238	P0554238	GEAR 26T
239	P0554239	SHIFT FORK
240	P0554240	SHIFT LEVER

REF	PART #	DESCRIPTION
241	PRP03M	ROLL PIN 5 X 20
242	P0554242	SHAFT
243	P0554243	COVER
244	P0554244	LOCATING DISC
245	PFH07M	FLAT HD SCR M5-.8 X 10
246	P0554246	HANDLE
247	P0554247	HANDLE SHAFT
248	P0554248	SHIFT HUB
249	PW09M	FLAT WASHER 7MM
250	PSB01M	CAP SCREW M6-1 X 16
251	P0554251	INDICATOR DISC
252	PS12M	PHLP HD SCR M3-.5 X 6
253	P0554253	INDICATOR DISC
254	PSS20M	SET SCREW M8-1.25 X 8
255	P0554255	COMPRESSION SPRING 5.8 X 25
256	P0554256	STEEL BALL 6.5
257	P0554257	LOCATING DISC
258	P0554258	OIL SIGHT
259	P0554259	LOCATING DISC
260	P0554260	SHIFT HUB
261	PSB48M	CAP SCREW M6-1 X 35
262	PW03M	FLAT WASHER 6MM
263	P0554263	GEAR 50T
264	PSB02M	CAP SCREW M6-1 X 20
265	P0554265	FLANGE
266	P0554266	GASKET
267	P6004	BALL BEARING 6004ZZ
268	PK19M	KEY 5 X 5 X 14
269	P0554269	GEAR SHAFT ASSEMBLY
270	P6002	BALL BEARING 6002ZZ
271	P0554271	SHAFT COLLAR
272	PK120M	KEY 5 X 5 X 75
273	P0554273	SHAFT
274	P0554274	SHAFT COLLAR
275	P6003	BALL BEARING 6003ZZ
276	PR09M	EXT RETAINING RING 20MM
277	P0554277	GEAR 16T/32T
278	P6202	BALL BEARING 6202
279	P0554279	GASKET
280	P0554280	FLANGE



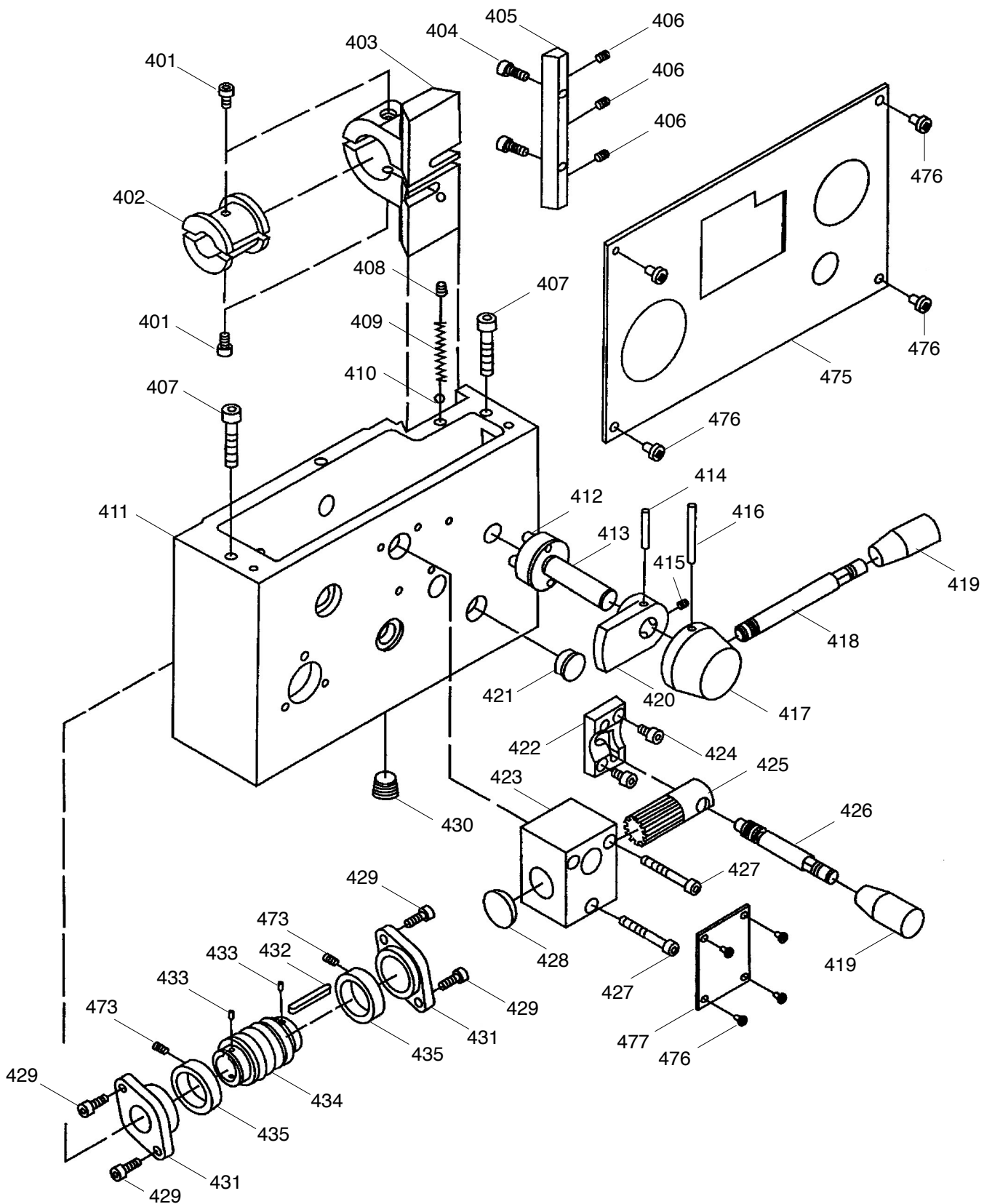
Gearbox Parts List

REF	PART #	DESCRIPTION
281	P0554281	GEAR 28T
282	P0554282	KEYED WASHER 52MM
283	P0554283	GEAR 26T
284	P0554284	KEYED WASHER 48.5MM
285	P0554285	GEAR 24T
286	P0554286	KEYED WASHER 45MM
287	P0554287	GEAR 23T
288	P0554288	KEYED WASHER 43MM
289	P0554289	GEAR 22T
290	P0554290	KEYED WASHER 41.5MM
291	P0554291	GEAR 20T
292	P0554292	KEYED WASHER 38MM
293	P0554293	GEAR 18T
294	P0554294	KEYED WASHER 34.5MM
295	P0554295	GEAR 16T
296	P0554296	GEAR 26T
297	P0554297	SPLINE SHAFT
298	PK19M	KEY 5 X 5 X 14
299	PK101M	KEY 6 X 6 X 14
300	PR29M	INT RETAINING RING 32MM
301	P0554301	BALL BEARING 61804
302	P0554302	GEAR 16T
303	PW23M	FLAT WASHER 30MM
304	P0554304	GEAR 21T

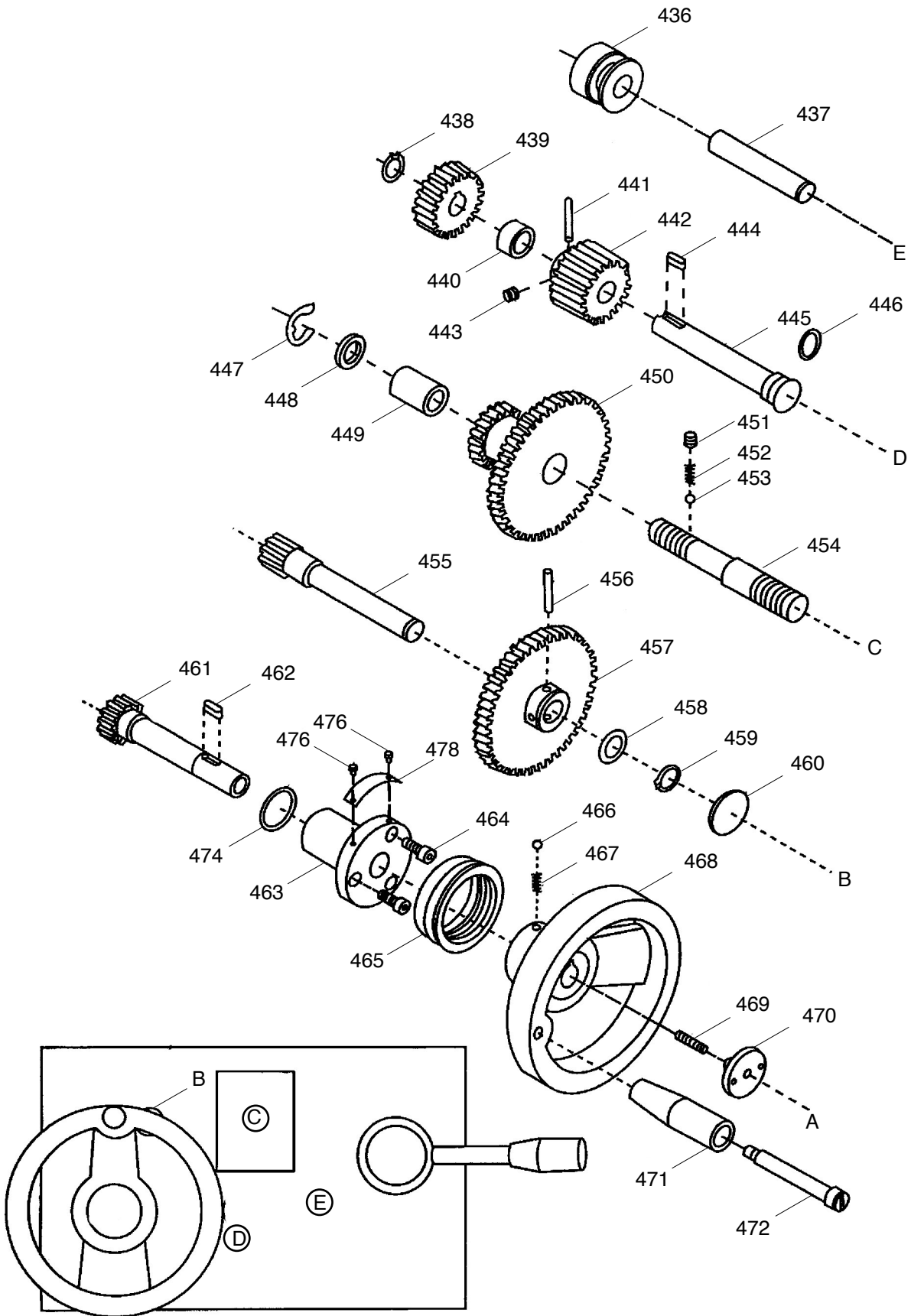
REF	PART #	DESCRIPTION
305	PR05M	EXT RETAINING RING 15MM
306	P0554306	GEAR 36T
307	P0554307	GASKET
308	P0554308	FLANGE
309	P0554309	O-RING 15 X 2.65
310	P51104	THRUST BEARING 51104
311	PK34M	KEY 5 X 5 X 20
312	P0554312	SHAFT
313	P0554313	SHAFT
314	P0554314	FLANGE
315	P0554315	GASKET
316	PN17M	HEX NUT M20-1.5
317	P0554317	GEAR 32T
318	P0554318	COLLAR
319	P0554319	GEAR 16T
320	PR05M	EXT RETAINING RING 15MM
321	P0554321	RIVET 2 X 4
322	P0554322	SPEED CHART
323	P0554323	NAME PLATE
324	P0554324	COOLANT ON/OFF SWITCH
325	P0554325	FWD/REV SWITCH
326	P0554326	JOG BUTTON
327	P0554327	POWER ON LIGHT
328	P0554328	EMERGENCY STOP SWITCH



Apron Assembly



Apron Assembly



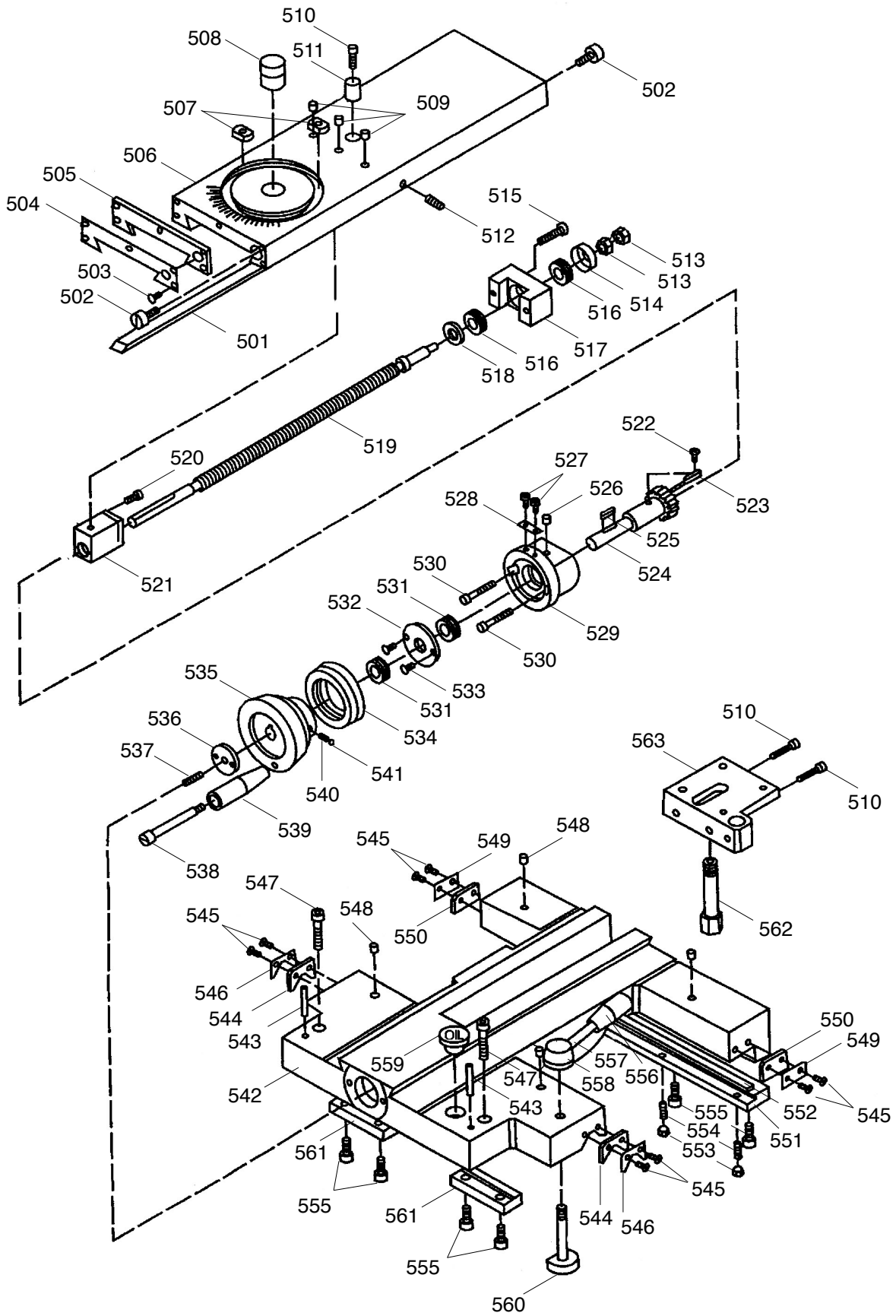
Apron Parts List

REF	PART #	DESCRIPTION
400	P0554400	COMPLETE APRON ASSY
401	PSB04M	CAP SCREW M6-1 X 10
402	P0554402	HALF NUT M23 X 3.175
403	P0554403	BRACKET
404	PSB01M	CAP SCREW M6-1 X 16
405	P0554405	GIB
406	PSS01M	SET SCREW M6-1 X 10
407	PSB12M	CAP SCREW M8-1.25 X 40
408	PSS20M	SET SCREW M8-1.25 X 8
409	P0554409	COMPRESSION SPRING 6 X 42
410	P0554410	STEEL BALL 6
411	P0554411	CASTING
412	P0554412	DOWEL PIN
413	P0554413	HALF NUT CAM 16 X 75
414	PRP10M	ROLL PIN 5 X 36
415	PSS02M	SET SCREW M6-1 X 6
416	PRP30M	ROLL PIN 5 X 50
417	P0554417	HUB
418	P0554418	HANDLE SHAFT
419	P0554419	KNOB
420	P0554420	SAFETY CATCH
421	P0554421	SIGHT GLASS 12
422	P0554422	BRACKET
423	P0554423	BLOCK
424	PSB26M	CAP SCREW M6-1 X 12
425	P0554425	SPLINE SHAFT
426	P0554426	HANDLE SHAFT
427	PSB30M	CAP SCREW M6-1 X 45
428	P0554428	PLUG
429	PSB01M	CAP SCREW M6-1 X 16
430	P0554430	DRAIN PLUG
431	P0554431	FLANGE
432	PK119M	KEY 5 X 5 X 56
433	PRP14M	ROLL PIN 3 X 6
434	P0554434	WORM
435	P0554435	COLLAR
436	P0554436	BUSHING
437	P0554437	SHAFT
438	PR06M	EXT RETAINING RING 16MM
439	P0554439	GEAR 22T

REF	PART #	DESCRIPTION
440	P0554440	COLLAR
441	PRP10M	ROLL PIN 5 X 36
442	P0554442	GEAR 24T
443	PSS02M	SET SCREW M6-1 X 6
444	PK20M	KEY 5 X 5 X 15
445	P0554445	SHAFT
446	P0554446	O-RING 17 X 1.8
447	PR03M	EXT RETAINING RING 12MM
448	P0554448	BUSHING
449	P0554449	COLLAR
450	P0554450	CLUSTER GEAR 50T/20T
451	PSS20M	SET SCREW M8-1.25 X 8
452	P0554452	COMPRESSION SPRING 6 X 22
453	P0554410	STEEL BALL 6
454	P0554454	SHAFT
455	P0554455	SHAFT
456	PRP05M	ROLL PIN 5 X 30
457	P0554457	GEAR 50T
458	P0554458	BUSHING
459	PR06M	EXT RETAINING RING 16MM
460	P0554460	PLUG
461	P0554461	SHAFT
462	PK20M	KEY 5 X 5 X 15
463	P0554463	WHEEL FLANGE
464	PSB01M	CAP SCREW M6-1 X 16
465	P0554465	INDICATOR RING
466	P0554410	STEEL BALL 6
467	P0554467	COMPRESSION SPRING 6 X 12.6
468	P0554468	WHEEL
469	PSS12M	SET SCREW M6-1 X 25
470	P0554470	WHEEL STUD
471	P0554471	HANDLE SLEEVE
472	P0554472	HANDLE LEVER
473	PSS05M	SET SCREW M5-.8 X 10
474	P0554474	O-RING 25.8 X 3.55
475	P0554475	APRON LABEL
476	PS12M	PHLP HD SCR M3-.5 X 6
477	P0554477	THREAD DIAL LABEL
478	P0554478	INDICATOR LABEL



Carriage Assembly



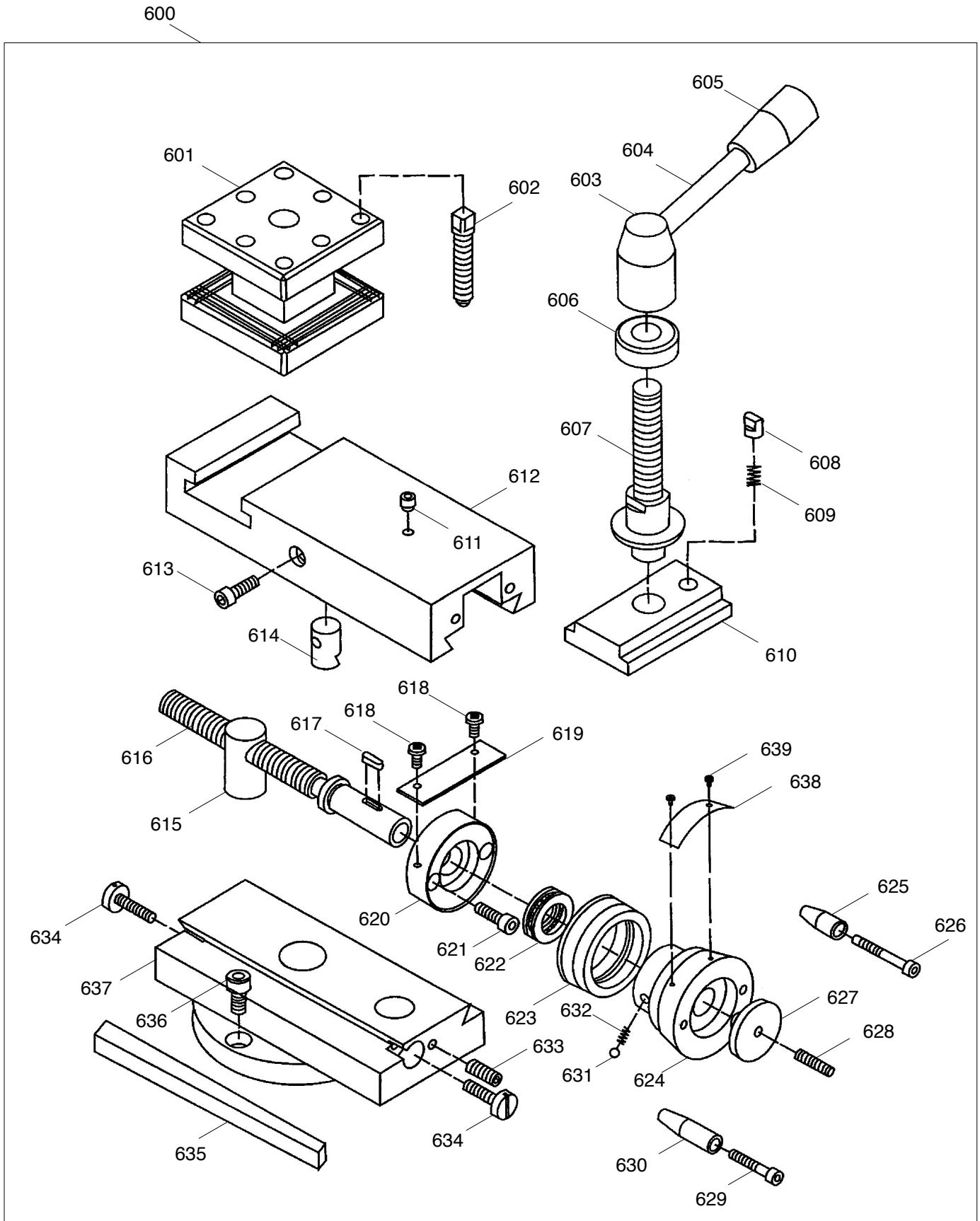
Carriage Parts List

REF	PART #	DESCRIPTION
501	P0554501	GIB
502	P0554502	GIB ADJUSTING SCREW M6 X 23
503	PS09M	PHLP HD SCR M5-.8 X 10
504	P0554504	PLATE
505	P0554505	PLATE WIPER
506	P0554506	CROSS SLIDE BODY
507	P0554507	CLAMP NUT M8
508	P0554508	HUB
509	P0554509	OILER 8
510	PSB02M	CAP SCREW M6-1 X 20
511	P0554511	SLEEVE
512	PSS20M	SET SCREW M8-1.25 X 8
513	PN02M	HEX NUT M10-1.5
514	P0554514	BEARING CAP
515	PSB07M	CAP SCREW M6-1 X 30
516	P8101	THRUST BEARING 8101
517	P0554517	BLOCK
518	P0554518	SPACER
519	P0554519	LEADSCREW M15 X 2.54
520	PSB26M	CAP SCREW M6-1 X 12
521	P0554521	CROSSFEED NUT M15.5 X 2.54
522	PS49M	PHLP HD SCR M3-.5 X 5
523	PK23M	KEY 5 X 5 X 25
524	P0554524	GEAR SHAFT
525	PK48M	KEY 4 X 4 X 20
526	P0554526	OILER 6
527	PS12M	PHLP HD SCR M3-.5 X 6
528	P0554528	INDICATOR LABEL
529	P0554529	HOUSING
530	PSB29M	CAP SCREW M6-1 X 40
531	P8102	THRUST BEARING 8102
532	PW08M	FLAT WASHER 16MM

REF	PART #	DESCRIPTION
533	PS09M	PHLP HD SCR M5-.8 X 10
534	P0554534	INDEX RING
535	P0554535	COMPOUND HANDLE HUB
536	P0554536	COVER SCREW M12 X 7
537	PSS12M	SET SCREW M6-1 X 25
538	P0554538	HANDLE LEVER
539	P0554539	HANDLE SLEEVE
540	P0554540	COMPRESSION SPRING
541	P0554410	STEEL BALL 6
542	P0554542	SADDLE
543	PRP32M	ROLL PIN 6 X 40
544	P0554544	PLATE WIPER
545	PS09M	PHLP HD SCR M5-.8 X 10
546	P0554546	PLATE
547	PSB12M	CAP SCREW M8-1.25 X 40
548	P0554548	OILER
549	P0554549	PLATE
550	P0554550	PLATE WIPER
551	P0554551	REAR PRESSURE PLATE
552	P0554552	GIB
553	PLN03M	LOCK NUT M6-1
554	PSS25M	SET SCREW M6-1 X 20
555	PSB14M	CAP SCREW M8-1.25 X 20
556	P0554556	HANDLE KNOB M10 X 50
557	P0554557	HANDLE SHAFT
558	P0554558	HUB
559	P0554559	OIL CAP
560	P0554560	LOCK STUD
561	P0554561	FRONT PRESSURE PLATE
562	P0554562	CONNECTED TUBE
563	P0554563	LAMP BRACKET



Tool Post Assembly



Tool Post Parts List

REF	PART #	DESCRIPTION
600	P0554600	TOOL POST ASSY
601	P0554601	TOOL POST
602	P0554602	TOOL LOCK SCREW 10 X 50
603	P0554603	HANDLE HUB
604	P0554604	HANDLE SHAFT
605	P0554605	HANDLE
606	P0554606	SPACER
607	P0554607	TOOL POST PIN
608	P0554608	TOOL POST PIN
609	P0554609	COMPRESSION SPRING
610	P0554610	CLAMP NUT M18 X 1.5
611	P0554509	OILER 8
612	P0554612	COMPOUND SLIDE
613	PSB02M	CAP SCREW M6-1 X 20
614	P0554614	POSITION PIN
615	P0554615	THREADED PIN
616	P0554616	COMPOUND SCREW
617	PK97M	KEY 4 X 4 X 14
618	PS12M	PHLP HD SCR M3-.5 X 6
619	P0554619	NAME PLATE

REF	PART #	DESCRIPTION
620	P0554620	SCREW BUSHING
621	PSB02M	CAP SCREW M6-1 X 20
622	P8103	THRUST BEARING 8103
623	P0554623	INDEX RING
624	P0554624	HANDWHEEL
625	P0554625	HANDLE
626	PSB38M	CAP SCREW M5-.8 X 25
627	P0554627	COVER SCREW M12 X 7
628	PSS12M	SET SCREW M6-1 X 25
629	PSB78M	CAP SCREW M5-.8 X 40
630	P0554630	HANDLE
631	P0554410	STEEL BALL 6
632	P0554632	COMPRESSION SPRING
633	PSS11M	SET SCREW M6-1 X 16
634	P0554634	GIB ADJUSTING SCREW M6 X 23
635	P0554635	GIB
636	PSB11M	CAP SCREW M8-1.25 X 16
637	P0554637	SWIVEL SLIDE
638	P0554638	SCALE
639	PS12M	PHLP HD SCR M3-.5 X 6



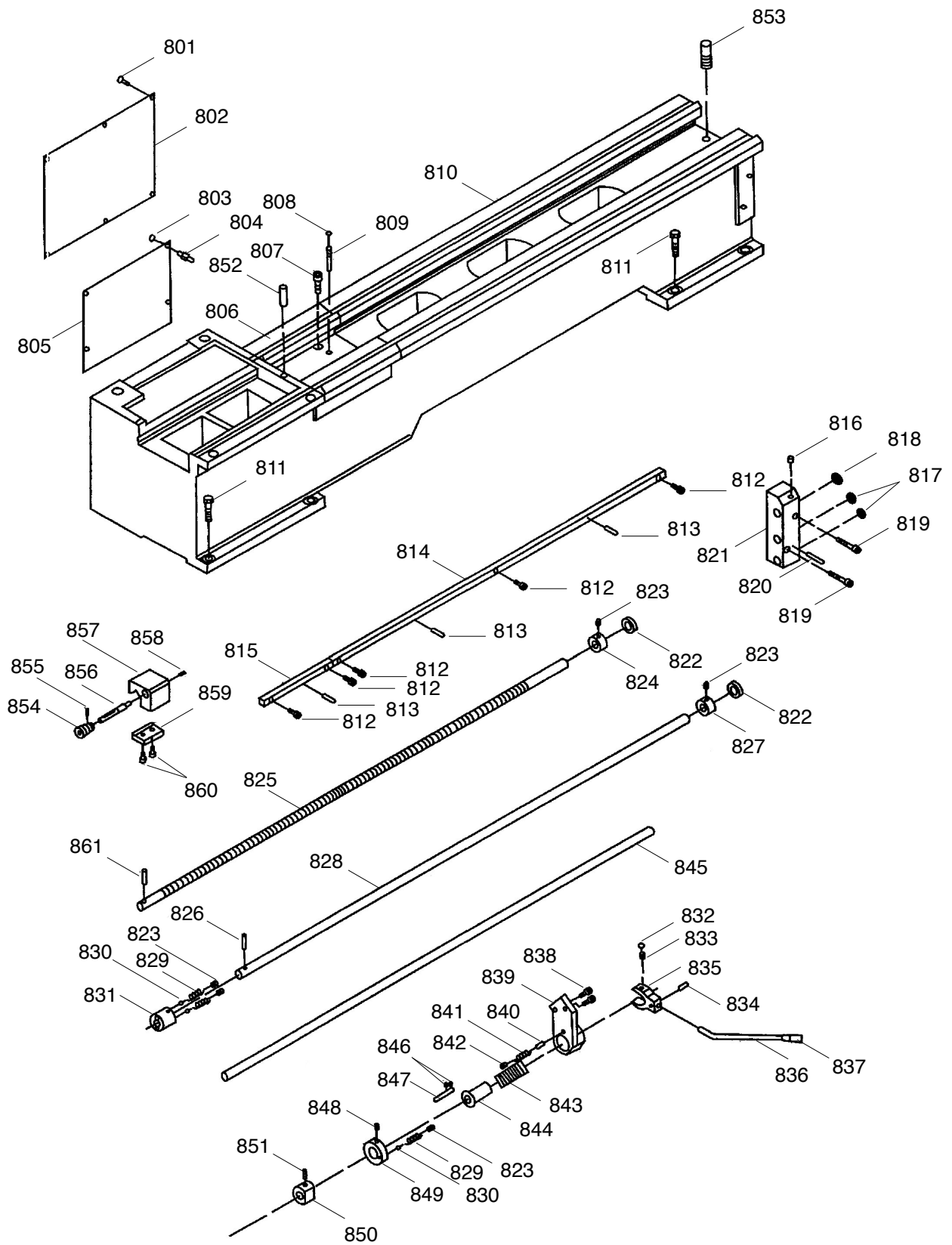
Tailstock Parts List

REF	PART #	DESCRIPTION
700	P0554700	TAILSTOCK ASSY
701	P0554701	INDEX RING
702	PSB02M	CAP SCREW M6-1 X 20
703	P0554703	HUB
704	P8103	THRUST BEARING 8103
705	PK48M	KEY 4 X 4 X 20
706	P0554706	FEED SCREW
707	PSB01M	CAP SCREW M6-1 X 16
708	P0554708	FLANGE
709	P0554709	KNOB
710	P0554710	LEVER HANDLE
711	P0554711	ECCENTRIC SHAFT
712	PRP59M	ROLL PIN 5 X 12
713	P0554713	OILER 10
714	P0554714	TAILSTOCK BODY
715	P0554410	STEEL BALL 6
716	P0554716	COMPRESSION SPRING
717	P0554717	WHEEL
718	PSS15M	SET SCREW M12-1.75 X 12
719	P0554719	WHEEL SCREW M6 X 15
720	P0554720	HANDLE LEVER

REF	PART #	DESCRIPTION
721	P0554721	HANDLE SLEEVE
722	PSB128M	CAP SCREW M8-1.25 X 70
723	P0554723	GIB
724	P0554724	GIB ADJUSTING SCREW 71
725	PSB101M	CAP SCREW M12-1.75 X 90
726	PW06M	FLAT WASHER 12MM
727	P0554727	TAILSTOCK CLAMP PLATE
728	P0554728	BLOCK
729	P0554729	TAILSTOCK BASE
730	P0554730	STOP PIN
731	PN01M	HEX NUT M6-1
732	PSS11M	SET SCREW M6-1 X 16
733	PRP59M	ROLL PIN 5 X 12
734	P0554734	ECCENTRIC SHAFT
735	P0554735	LEVER HANDLE
736	P0554736	SPINDLE
737	P0554737	KEY 3 X 6 X 55
738	P0554738	INDICATOR LABEL
739	PS12M	PHLP HD SCR M3-.5 X 6
740	P0554740	INDICATOR LABEL
741	P0554741	INDICATOR LABEL



Bed Assembly



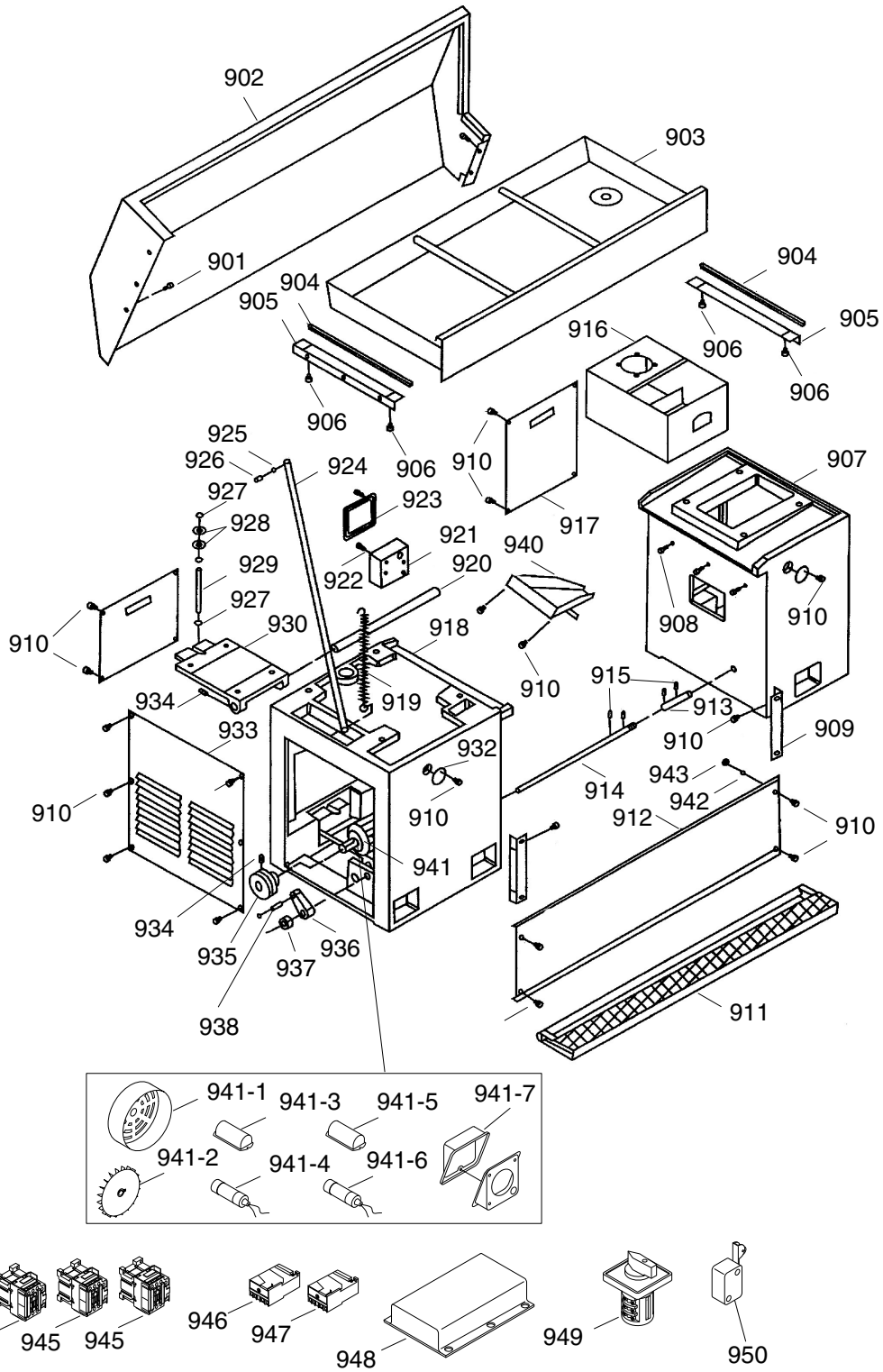
Bed Parts List

REF	PART #	DESCRIPTION
801	PS39M	PHLP HD SCR M8-1.25 X 10
802	P0554802	ELECTRICAL BOX COVER
803	PN03M	HEX NUT M8-1.25
804	P0554804	STUD
805	P0554805	ELECTRICAL PLATE
806	P0554806	GAP
807	PSB92M	CAP SCREW M12-1.75 X 40
808	PN03M	HEX NUT M8-1.25
809	PRP48M	ROLL PIN 8 X 60
810	P0554810	BED
811	PB51M	HEX BOLT M16-2 X 50
812	PSB06M	CAP SCREW M6-1 X 25
813	PRP10M	ROLL PIN 5 X 36
814	P0554814	RACK (LONG)
815	P0554815	RACK (SHORT)
816	P0554713	OILER 10
817	P0554817	PLUG
818	P0554818	PLUG
819	PSB60M	CAP SCREW M8-1.25 X 55
820	PRP48M	ROLL PIN 8 X 60
821	P0554821	END BRACKET
822	P51104	THRUST BEARING 51104
823	PSS16M	SET SCREW M8-1.25 X 10
824	P0554824	COLLAR
825	P0554825	LEADSCREW M22 X 3.175
826	PRP10M	ROLL PIN 5 X 36
827	P0554827	COLLAR
828	P0554828	FEED SHAFT
829	P0554829	COMPRESSION SPRING
830	P0554410	STEEL BALL 6
831	P0554831	CLUTCH

REF	PART #	DESCRIPTION
832	PN01M	HEX NUT M6-1
833	PSS25M	SET SCREW M6-1 X 20
834	PRP42M	ROLL PIN 3 X 20
835	P0554835	CONTROL FORK
836	P0554836	CONTROL HANDLE
837	P0554837	HANDLE
838	PSB01M	CAP SCREW M6-1 X 16
839	P0554839	CONTROL BRACKET
840	P0554840	DOWEL PIN
841	P0554841	COMPRESSION SPRING
842	PSS20M	SET SCREW M8-1.25 X 8
843	P0554843	COMPRESSION SPRING
844	P0554844	SLEEVE
845	P0554845	SPINDLE CONTROL SHAFT
846	PSS45M	SET SCREW M3-.5 X 6
847	NEW GEN	KEY 5 X 5 X 56
848	PSS01M	SET SCREW M6-1 X 10
849	P0554849	COLLAR
850	P0554850	SHIFT COLLAR
851	PSS11M	SET SCREW M6-1 X 16
852	P0554852	DOWEL PIN
853	P0554853	DOWEL PIN
854	P0554854	INDEX RING
855	PRP14M	ROLL PIN 3 X 6
856	P0554856	SHAFT
857	P0554857	BRACKET
858	PSS04M	SET SCREW M6-1 X 12
859	P0554859	PLATE
860	PSB01M	CAP SCREW M6-1 X 16
861	PRP10M	ROLL PIN 5 X 36



Stand Breakdown



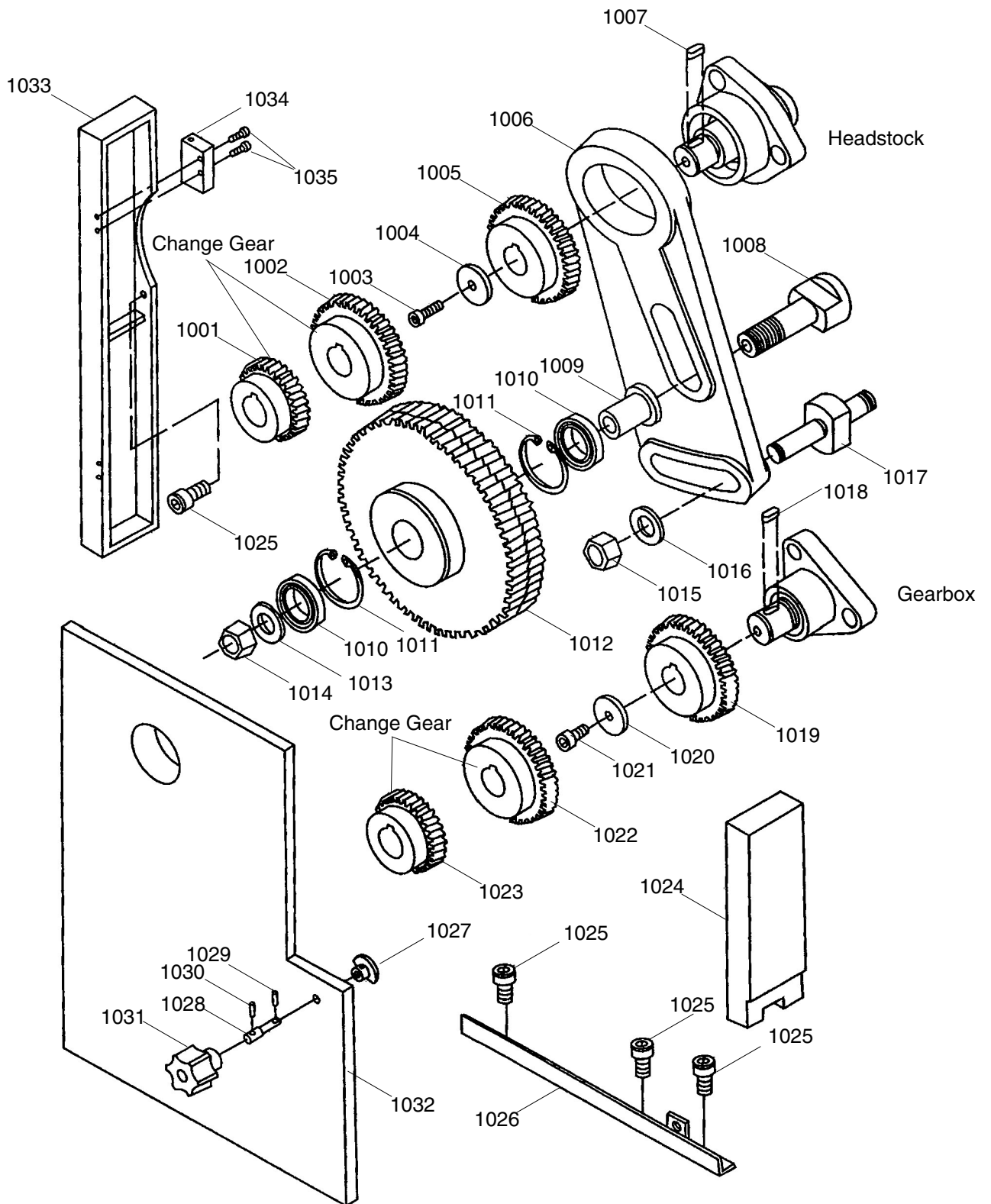
Stand Parts List

REF	PART #	DESCRIPTION
901	PS68M	PHLP HD SCR M6-1 X 10
902	P0554902	REAR SPLASH GUARD
903	P0554903	CHIP TRAY
904	P0554904	GUIDE
905	P0554905	BRACKET
906	PS68M	PHLP HD SCR M6-1 X 10
907	P0554907	PEDESTAL (RIGHT)
908	PSB04M	CAP SCREW M6-1 X 10
909	P0554909	BRACKET
910	PS68M	PHLP HD SCR M6-1 X 10
911	P0554911	BRAKE PEDAL
912	P0554912	FRONT PLATE
913	P0554913	SHAFT
914	P0554914	SHAFT
915	PRP24M	ROLL PIN 5 X 16
916	P0554916	COOLANT TANK
917	P0554917	COVER
918	P0554918	PEDESTAL (LEFT)
919	P0554919	EXTENSION SPRING
920	P0554920	SHAFT
921	P0554921	SWITCH BOX
922	PS68M	PHLP HD SCR M6-1 X 10
923	P0554923	SWITCH BOX COVER
924	P0554924	CONNECTOR BAR
925	PR04M	EXT RETAINING RING 6MM
926	P0554926	DOWEL PIN
927	PN09M	HEX NUT M12-1.75
928	PW06M	FLAT WASHER 12MM

REF	PART #	DESCRIPTION
929	P0554029	THREADED ROD 12MM
930	P0554930	MOTOR MOUNTING BRACKET
932	P0554932	COVER
933	P0554933	COVER
934	PSS20M	SET SCREW M8-1.25 X 8
935	P0554935	PULLEY
936	P0554936	LINK
937	P0554937	LINK NUT
938	P0554938	SHAFT PIN
940	P0554940	TRAY
941	P0554941	MAIN MOTOR (1 PHASE)
941-1	P0554941-1	FAN COVER
941-2	P0554941-2	FAN
941-3	P0554941-3	CAPACITOR COVER
941-4	P0554941-4	CAPACITOR 30MFD 400VAC
941-5	P0554941-5	CAPACITOR COVER
941-6	PC150A	CAPACITOR 150MFD 250VAC
941-7	P0554941-7	WIRING BOX
942	PW03M	FLAT WASHER 6MM
943	PN01M	HEX NUT M6-1
944	P0554944	CONTACTOR JZC440
945	P0554945	CONTACTOR CJX23201
946	P0554946	OVERLOAD RELAY 0.35-0.52
947	P0554947	OVERLOAD RELAY 18-25
948	P0554948	TRANSFORMER
949	P0554949	MAIN POWER SWITCH
950	P0554950	BRAKE LIMIT SWITCH



End Gear Assembly



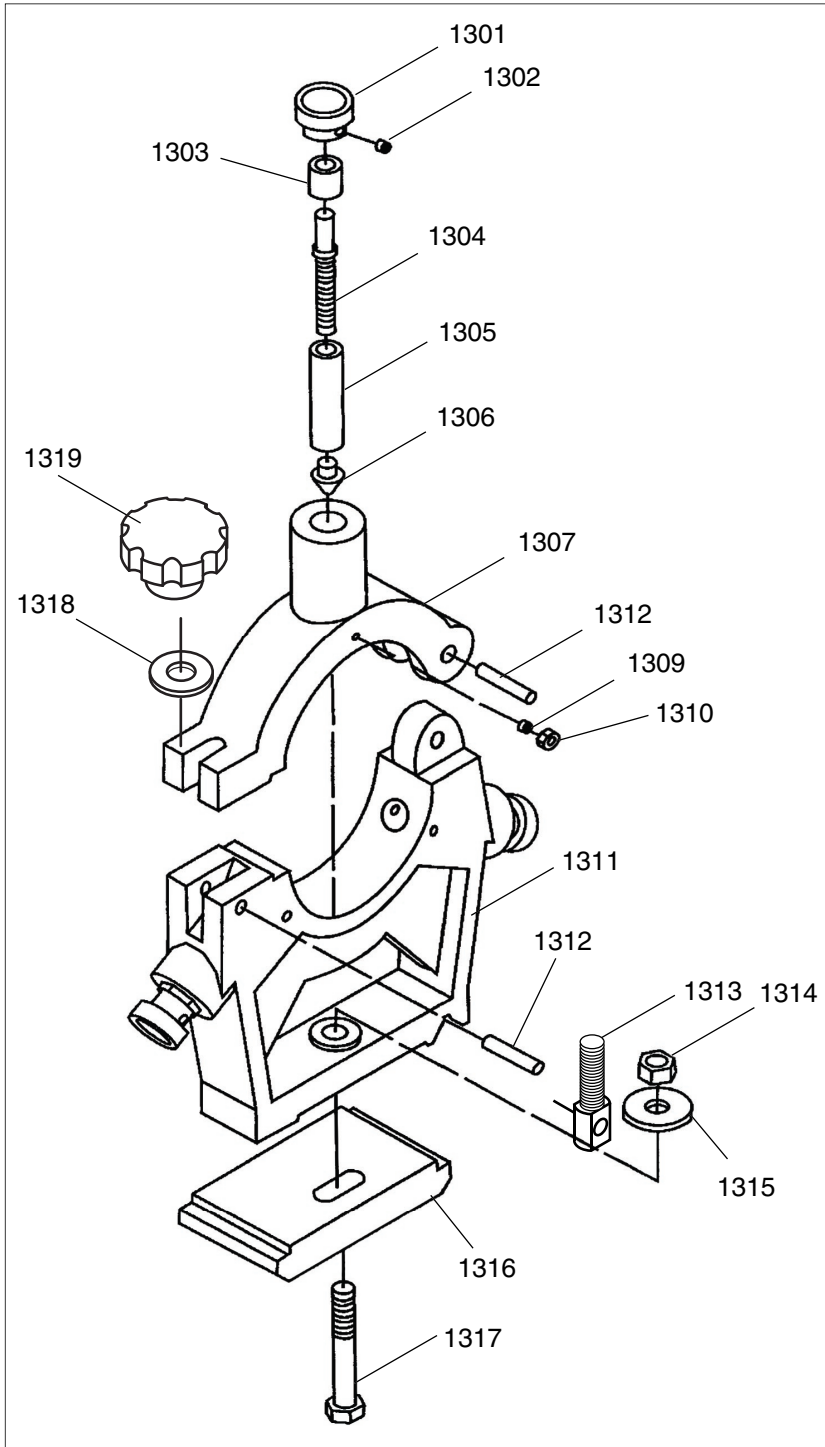
End Gear Parts List

REF	PART #	DESCRIPTION
1001	P05541001	GEAR 30T
1002	P05541002	GEAR 40T
1003	PSB24M	CAP SCREW M5-.8 X 16
1004	PW03M	FLAT WASHER 6MM
1005	P05541005	GEAR 25T
1006	P05541006	QUADRANT
1007	PK19M	KEY 5 X 5 X 14
1008	P05541008	THREAD SHAFT
1009	P05541009	COLLAR
1010	P6103ZZ	BALL BEARING 6103
1011	PR21M	INT RETAINING RING 35MM
1012	P05541012	GEAR 120/127
1013	PW04M	FLAT WASHER 10MM
1014	PN02M	HEX NUT M10-1.5
1015	PN09M	HEX NUT M12-1.75
1016	PW06M	FLAT WASHER 12MM
1017	P05541017	STUD
1018	PK19M	KEY 5 X 5 X 14

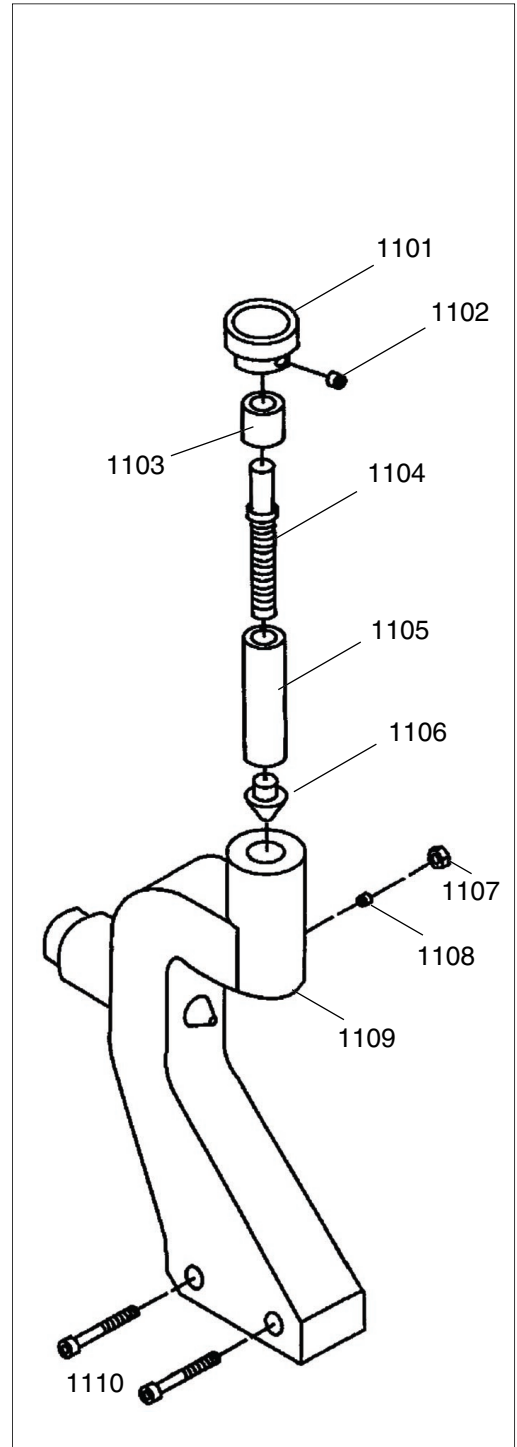
REF	PART #	DESCRIPTION
1019	P05541019	GEAR 50T
1020	PW03M	FLAT WASHER 6MM
1021	PSB01M	CAP SCREW M6-1 X 16
1022	P05541022	GEAR 32T
1023	P05541023	GEAR 40T
1024	P05541024	FRONT PLATE
1025	PSB14M	CAP SCREW M8-1.25 X 20
1026	P05541026	PLATE
1027	P05541027	DOOR LATCH
1028	P05541028	SHAFT
1029	PRP01M	ROLL PIN 4 X 18
1030	PRP04M	ROLL PIN 4 X 24
1031	P05541031	STAR KNOB, PINNED
1032	P05541032	CHANGE GEAR COVER
1033	P05541033	REAR PLATE
1034	P05541034	PLATE
1035	PSB04M	CAP SCREW M6-1 X 10



Steady & Follow Rest Assemblies



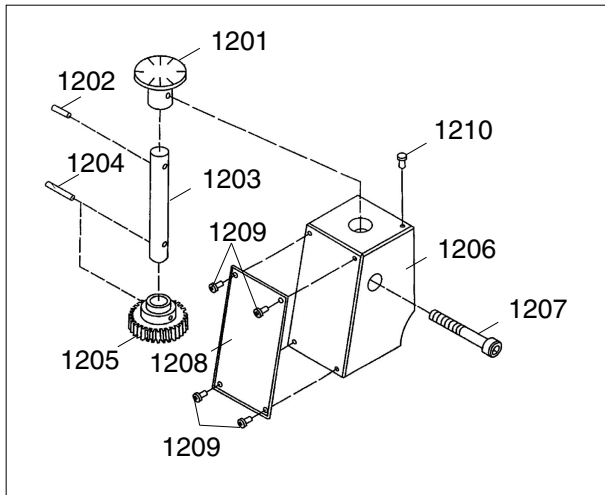
1300



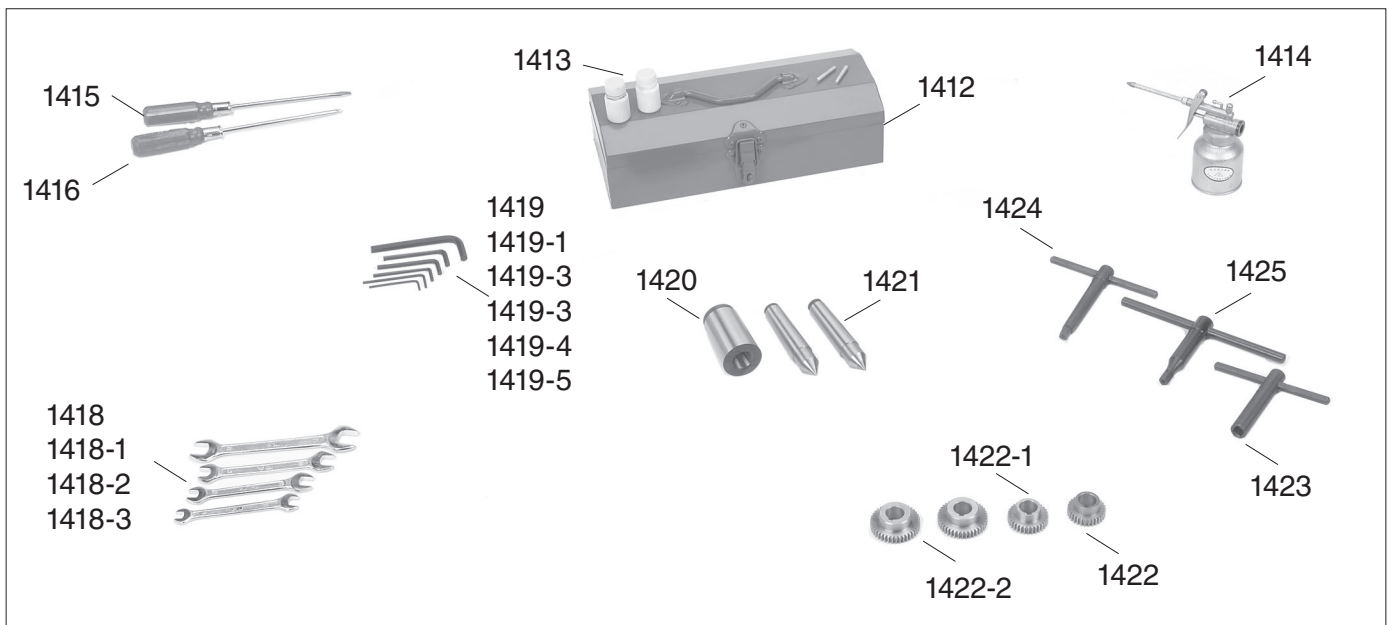
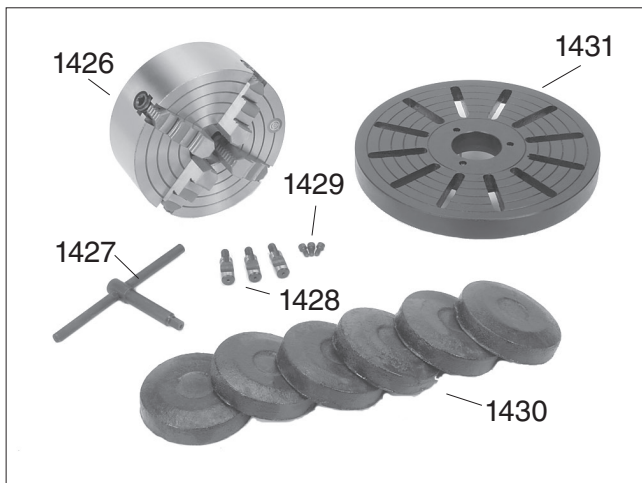
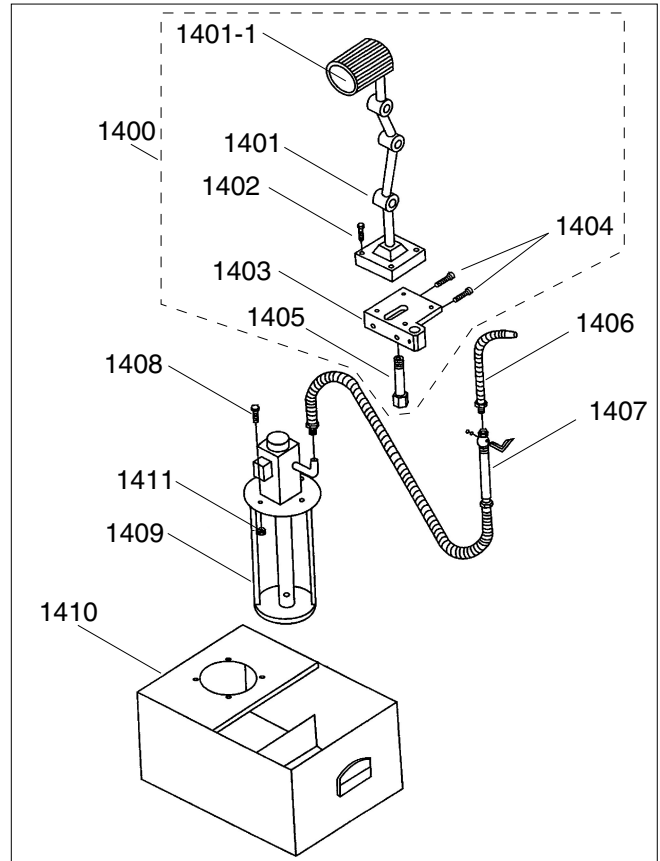
1100



Coolant, Worklight, Boxes, & Thread Dial Assembly



1200



Coolant, Worklight, Boxes, Thread Dial, Steady & Follow Rest Parts List

REF	PART #	DESCRIPTION
1100	P05541100	FOLLOW REST COMPLETE ASSY
1101	P05541101	HANDLE
1102	PSS02M	SET SCREW M6-1 X 6
1103	P05541103	BUSHING
1104	P05541104	SPECIAL SCREW
1105	P05541105	SLEEVE
1106	P05541106	BRASS FINGER
1107	PN01M	HEX NUT M6-1
1108	PSS25M	SET SCREW M6-1 X 20
1109	P05541109	BODY CASTING
1110	PSB35M	CAP SCREW M8-1.25 x 60
1200	P05541200	THREADING DIAL ASSY
1201	P05541201	DIAL
1202	PRP61M	ROLL PIN 3 X 12
1203	P05541203	SHAFT
1204	PRP42M	ROLL PIN 3 X 20
1205	P05541205	GEAR 32T
1206	P05541206	BODY
1207	PSB30M	CAP SCREW M6-1 X 45
1208	P05541208	NAME PLATE
1209	PS12M	PHLP HD SCR M3-.5 X 6
1210	P05541210	RIVET 2 X 4
1300	P05541300	COMPLETE STEADY REST
1301	P05541301	HANDLE
1302	PSS02M	SET SCREW M6-1 X 6
1303	P05541303	BUSHING
1304	P05541304	SPECIAL SCREW
1305	P05541305	SLEEVE
1306	P05541306	BRASS FINGER
1307	P05541307	UPPER BODY CASTING
1309	PSS25M	SET SCREW M6-1 X 20
1310	PN01M	HEX NUT M6-1
1311	P05541311	LOWER BODY CASTING
1312	P05541312	LOCK PIN
1313	P05541313	LOCK BOLT M8-1.25
1314	PN09M	HEX NUT M12-1.75
1315	PW06M	FLAT WASHER 12MM
1316	P05541316	CLAMP PLATE
1317	PB43M	HEX BOLT M12-1.75 X 75
1318	PW01M	FLAT WASHER 8MM
1319	P05541319	KNOB M8-1.25
1400	P05541400	WORK LIGHT COMPLETE ASSY

REF	PART #	DESCRIPTION
1401	P05541401	WORK LIGHT
1401-1	P05541401-1	LIGHT SOCKET
1402	PS15M	PHLP HD SCR M6-1 X 14
1403	P05541403	LAMP BRACKET
1404	PSB02M	CAP SCREW M6-1 X 20
1405	P05541405	CONNECTED TUBE
1406	P05541406	COOLANT DEVICE (PLASTIC)
1407	P05541407	RUBBER TUBE
1408	PSB38M	CAP SCREW M5-.8 X 25
1409	P05541409	COOLANT PUMP
1410	P05541410	WATER TANK
1411	PN06M	HEX NUT M5-.8
1412	P05541412	TOOLBOX
1413	P05541413	TOUCH-UP PAINT
1414	P05541414	OIL CAN
1415	PSDS2	#2 STANDARD SCREWDRIVER
1416	PSDP2	#2 PHILLIPS SCREWDRIVER
1417	P05541417	THREE-JAW CHUCK*
1418	PWR911	OPEN-END WRENCH 9/11MM
1418-1	PWR1012	COMBO WRENCH 10/12MM
1418-2	PWR1214	COMBO WRENCH 12/14MM
1418-3	PWR1417	WRENCH 17/14MM
1419	PAW02.5M	HEX WRENCH 2.5MM
1419-1	PAW03M	HEX WRENCH 3MM
1419-2	PAW04M	HEX WRENCH 4MM
1419-3	PAW05M	HEX WRENCH 5MM
1419-4	PAW06M	HEX WRENCH 6MM
1419-5	PAW08M	HEX WRENCH 8MM
1420	P05541420	MT#5-3 TAPERED SLEEVE
1421	P05541421	MT#3 DEAD CENTERS
1422	P05541422	CHANGE GEARS 30T
1422-1	P05541422-1	CHANGE GEARS 32T
1422-2	P05541422-2	CHANGE GEARS 40T
1423	P05541423	TOOL POST WRENCH
1424	P05541424	3-JAW CHUCK KEY
1425	P05541425	SPINDLE LOCK KEY
1426	P05541426	8" FOUR JAW CHUCK
1427	P05541427	FOUR JAW CHUCK KEY
1428	P05541428	CAMLOCK STUD
1429	P05541429	CAMLOCK STUD SET SCREW
1430	P05541430	CAST IRON FOOT PAD
1431	P05541431	12" FACE PLATE

* NOT SHOWN IN PARTS BREAKDOWN



Safety Label Placement



WARNING

Safety labels warn about machine hazards and ways to prevent injury. The owner of this machine **MUST** maintain the original location and readability of the labels on the machine. If any label is removed or becomes unreadable, **REPLACE** that label before using the machine again. Contact Grizzly at (800) 523-4777 or www.grizzly.com to order new labels.

