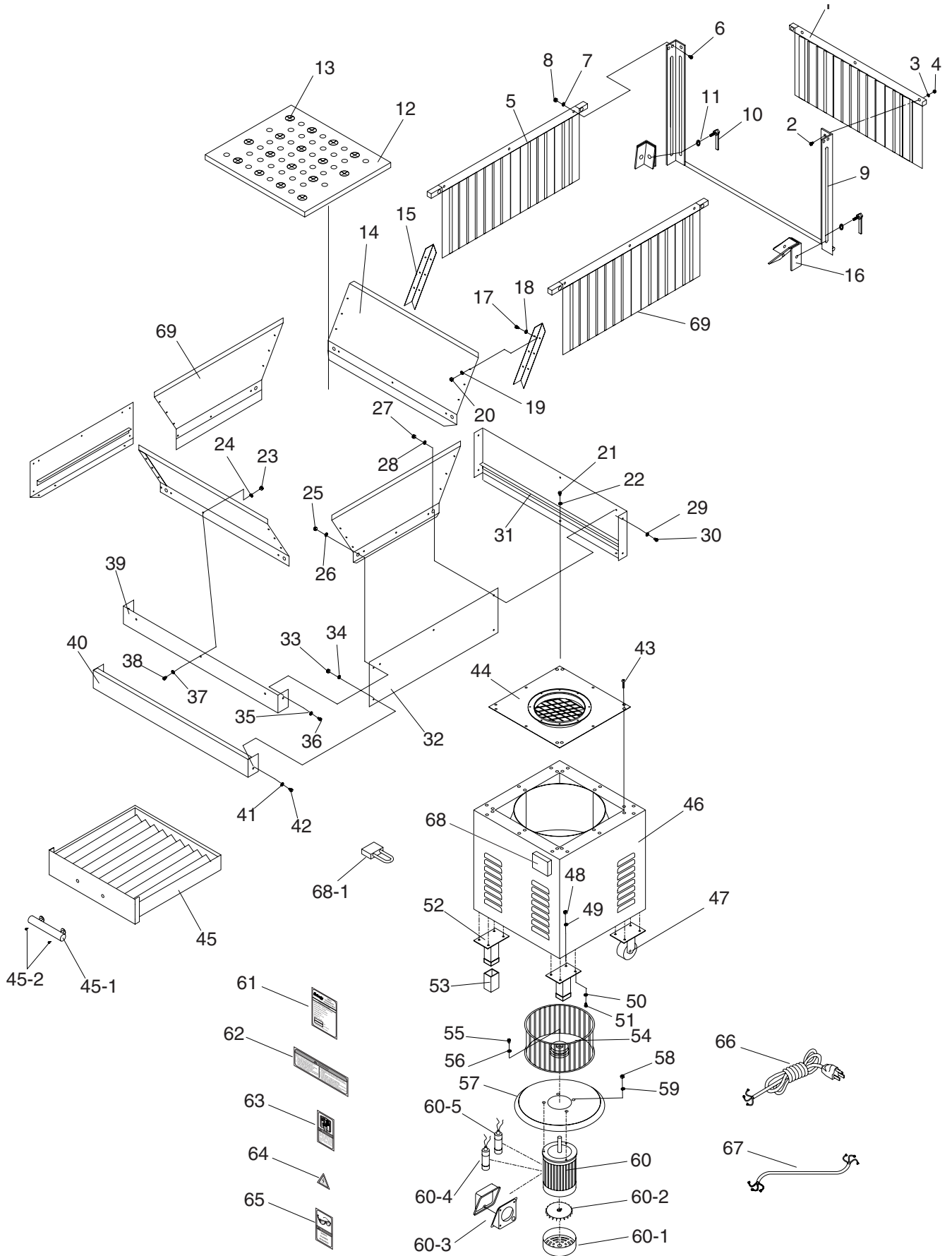


G0534



G0534

REF PART #	DESCRIPTION
1	P0534001 REAR CURTAIN
2	P0534002 FLAT HD SCR 1/4-20 X 7/8
3	PW06 FLAT WASHER 1/4
4	PN05 HEX NUT 1/4-20
5	P0534005 SIDE CURTAIN
6	P0534002 FLAT HD SCR 1/4-20 X 7/8
7	PW06 FLAT WASHER 1/4
8	PN05 HEX NUT 1/4-20
9	P0534009 CURTAIN FRAME
10	P0534010 LOCK HANDLE 5/16-18 X 1
11	PW07 FLAT WASHER 5/16
12	P0534012 TABLE BOARD
13	P0534013 RUBBER GROMMET
14	P0534014 FRONT/REAR SKEWED WALL
15	P0534015 ANGLE BRACKET
16	P0534016 CURTAIN BRACKET
17	PB02 HEX BOLT 1/4-20 X 5/8
18	PW06 FLAT WASHER 1/4
19	PW06 FLAT WASHER 1/4
20	PN05 HEX NUT 1/4-20
21	PB02 HEX BOLT 1/4-20 X 5/8
22	PW06 FLAT WASHER 1/4
23	PN05 HEX NUT 1/4-20
24	PW06 FLAT WASHER 1/4
25	PN05 HEX NUT 1/4-20
26	PW06 FLAT WASHER 1/4
27	PN05 HEX NUT 1/4-20
28	PW06 FLAT WASHER 1/4
29	PW06 FLAT WASHER 1/4
30	PB02 HEX BOLT 1/4-20 X 5/8
31	P0534031 REAR FILTER WALL
32	P0534032 SIDE FILTER WALL
33	PN05 HEX NUT 1/4-20
34	PW06 FLAT WASHER 1/4
35	PW06 FLAT WASHER 1/4
36	PB02 HEX BOLT 1/4-20 X 5/8
37	PW06 FLAT WASHER 1/4
38	PB02 HEX BOLT 1/4-20 X 5/8
39	P0534039 UPPER FRONT FILTER WALL

REF PART #	DESCRIPTION
40	P0534040 LOWER FRONT FILTER WALL
41	PW06 FLAT WASHER 1/4
42	PB02 HEX BOLT 1/4-20 X 5/8
43	PS01 PHLP HD SCR 10-24 X 1/2
44	P0534044 SAFETY NET
45	P0534045 FILTER DRAWER
45-1	P0534045-1 DRAWER HANDLE
45-2	PHTEK10 TAP SCREW #8 X 5/8
46	P0534046 MOTOR CABINET
47	P0534047 CASTER
48	PN05 HEX NUT 1/4-20
49	PW06 FLAT WASHER 1/4
50	PW06 FLAT WASHER 1/4
51	PB02 HEX BOLT 1/4-20 X 5/8
52	P0534052 CABINET FOOT
53	P0534053 FOOT BOOT
54	P0534054 FAN
55	PB07 HEX BOLT 5/16-18 X 3/4
56	PW06 FLAT WASHER 1/4
57	P0534057 DEFLECTOR
58	PN05 HEX NUT 1/4-20
59	PW06 FLAT WASHER 1/4
60	P0534060 COMPLETE MOTOR 1/2 HP
60-1	P0534060-1 FAN COVER
60-2	P0534060-2 MOTOR FAN
60-3	P0534060-3 WIRING BOX
60-4	P0534060-4 S CAPACITOR 200M 125V SM
60-5	P0534060-5 R CAPACITOR 30M 250V SM
61	P0534061 G0534 MACHINE ID LABEL
62	P0534062 DOWNDRAFT WARNING LBL
63	PLABEL-12 READ MANUAL LABEL
64	PLABEL-14 ELECTRICITY LABEL
65	PLABEL-11 SAFETY GLASSES LABEL
66	PWRCRD110L 110V CORD W/5-15 PLUG
67	PWRCRD110S 110V MOTOR CORD
68	P0534068 PUSH BUTTON SWITCH
68-1	P0534068-1 SWITCH PADLOCK
69	P0534069 SIDE SKEWED WALL