

SECTION 9: PARTS

We do our best to stock replacement parts when possible, but we cannot guarantee that all parts shown are available for purchase. Call (800) 523-4777 or visit www.grizzly.com/parts to check for availability.

Table

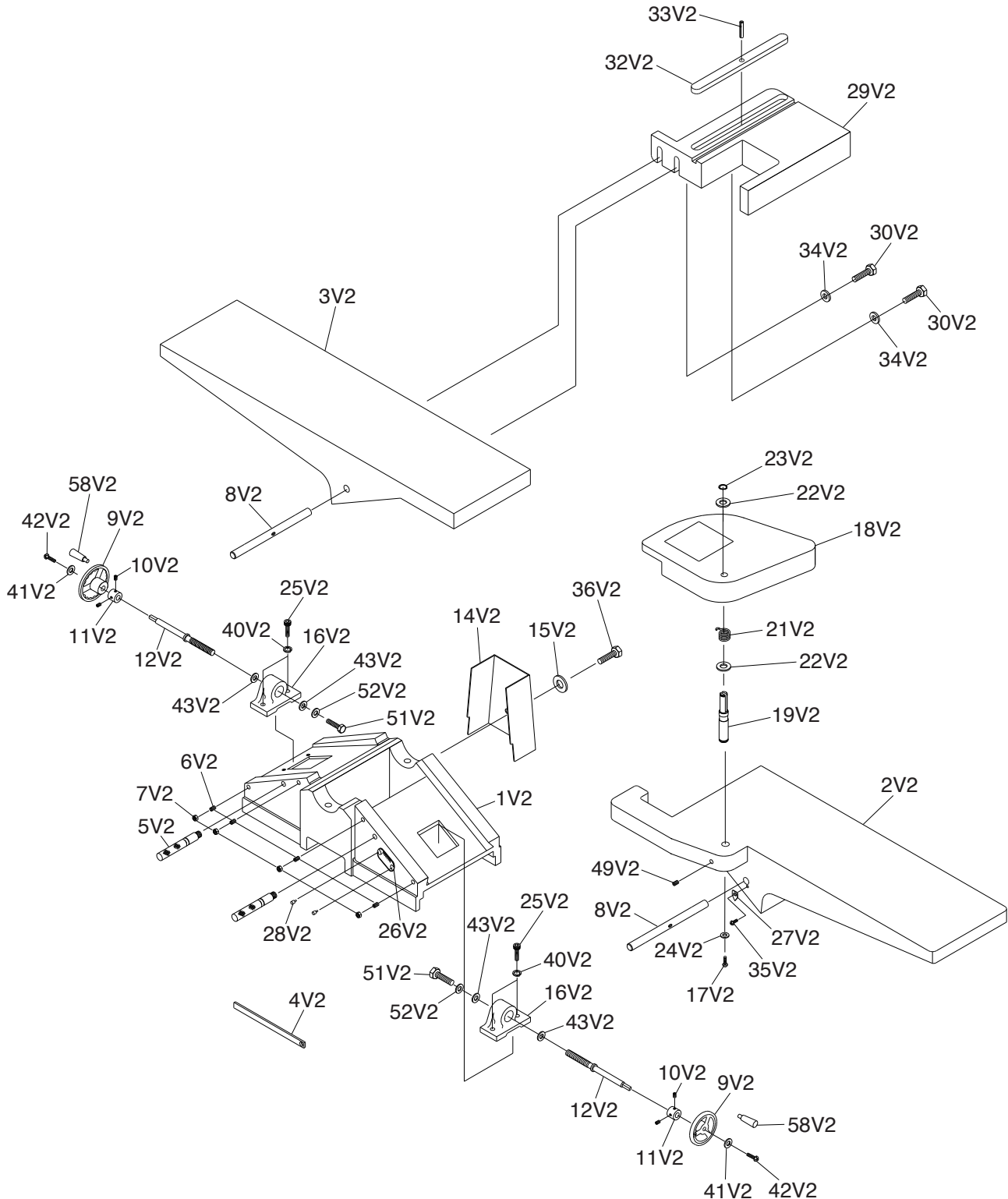


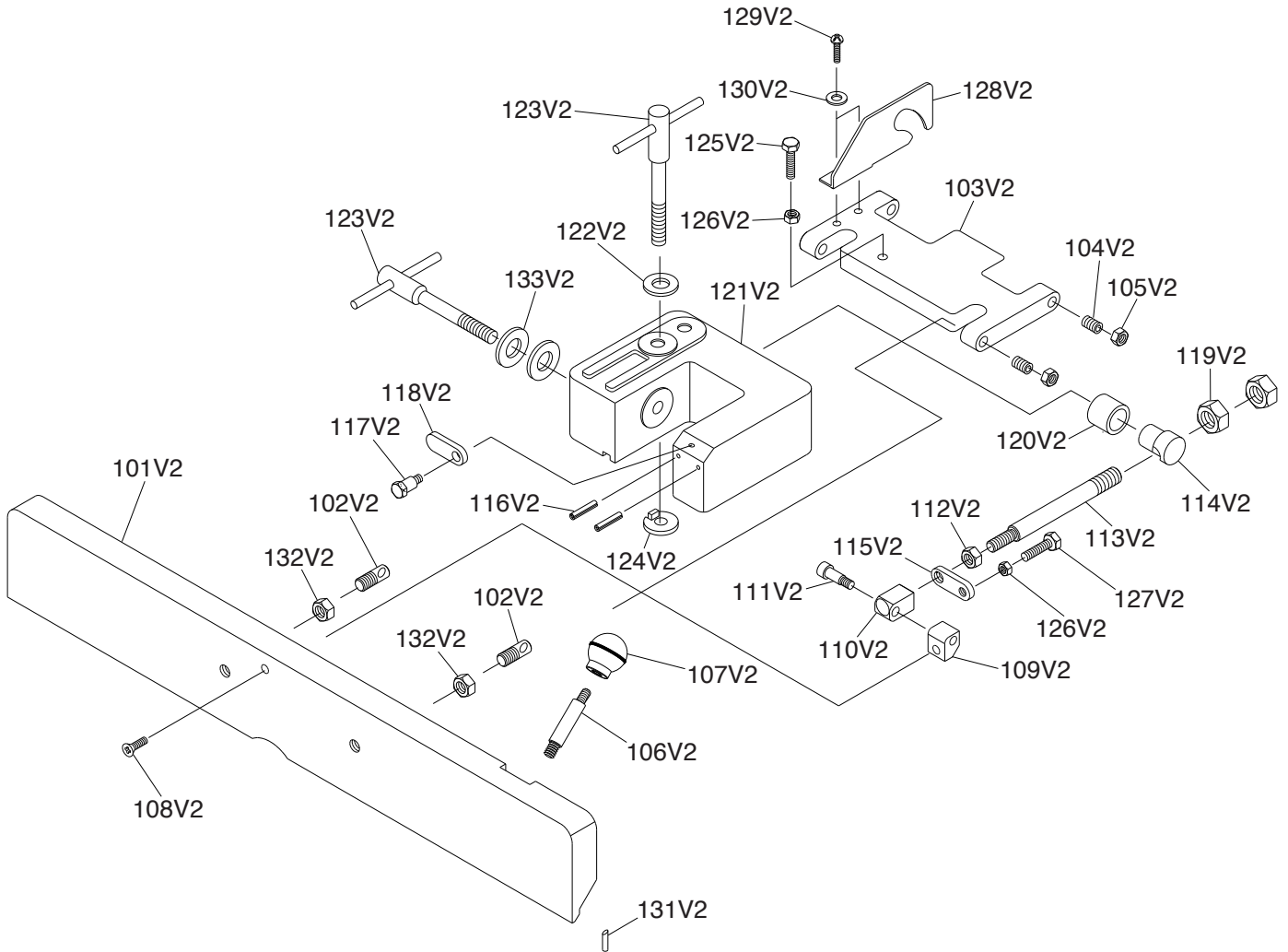
Table Parts List

REF	PART #	DESCRIPTION
1V2	P0526001V2	BASE
2V2	P0526002V2	INFEED TABLE
3V2	P0526003V2	OUTFEED TABLE
4V2	P0526004V2	GIB
5V2	P0526005V2	TABLE LOCK HANDLE
6V2	P0526006V2	SET SCREW 5/16-18 X 1
7V2	P0526007V2	HEX NUT 5/16-18
8V2	P0526008V2	PIVOT SHAFT 19 X 178MM
9V2	P0526009V2	HANDWHEEL 5/16-18
10V2	P0526010V2	SET SCREW 1/4-20 X 1/4
11V2	P0526011V2	LOCK COLLAR
12V2	P0526012V2	OUTFEED TABLE LEADSCREW
14V2	P0526014V2	BELT GUARD
15V2	P0526015V2	FLAT WASHER 5/16
16V2	P0526016V2	LEADSCREW BRACKET
17V2	P0526017V2	PHLP HD SCR 1/4-20 X 1/2
18V2	P0526018V2	CUTTERHEAD GUARD
19V2	P0526019V2	GUARD SHAFT
21V2	P0526021V2	TORSION SPRING 2 X 17 X 15
22V2	P0526022V2	FLAT WASHER 10MM
23V2	P0526023V2	EXT RETAINING RING 10MM

REF	PART #	DESCRIPTION
24V2	P0526024V2	FLAT WASHER 1/4
25V2	P0526025V2	CAP SCREW 5/16 X 18 X 1
26V2	P0526026V2	DEPTH-OF-CUT SCALE
27V2	P0526027V2	POINTER
28V2	P0526028V2	RIVET 2 X 5 NAMEPLATE
29V2	P0526029V2	CARRIAGE SUPPORT
30V2	P0526030V2	HEX BOLT 3/8-16 X 1-1/4
32V2	P0526032V2	KEY 3/8 X 3/8 X 9
33V2	P0526033V2	ROLL PIN 4 X 12
34V2	P0526034V2	FLAT WASHER 3/8
35V2	P0526035V2	PHLP HD SCR 8-32 X 1/4
36V2	P0526036V2	HEX BOLT 5/16-18 X 2-1/2
40V2	P0526040V2	FLAT WASHER 5/16
41V2	P0526041V2	FLAT WASHER #10
42V2	P0526042V2	PHLP HD SCR 10-24 X 1/2
43V2	P0526043V2	FLAT WASHER 1/2
49V2	P0526049V2	SET SCREW M6-1 X 20
51V2	P0526051V2	HEX BOLT 1/4-20 X 1/2
52V2	P0526052V2	FLAT WASHER 1/4
58V2	P0526058V2	REVOLVING HANDLE 5/16-18



Fence

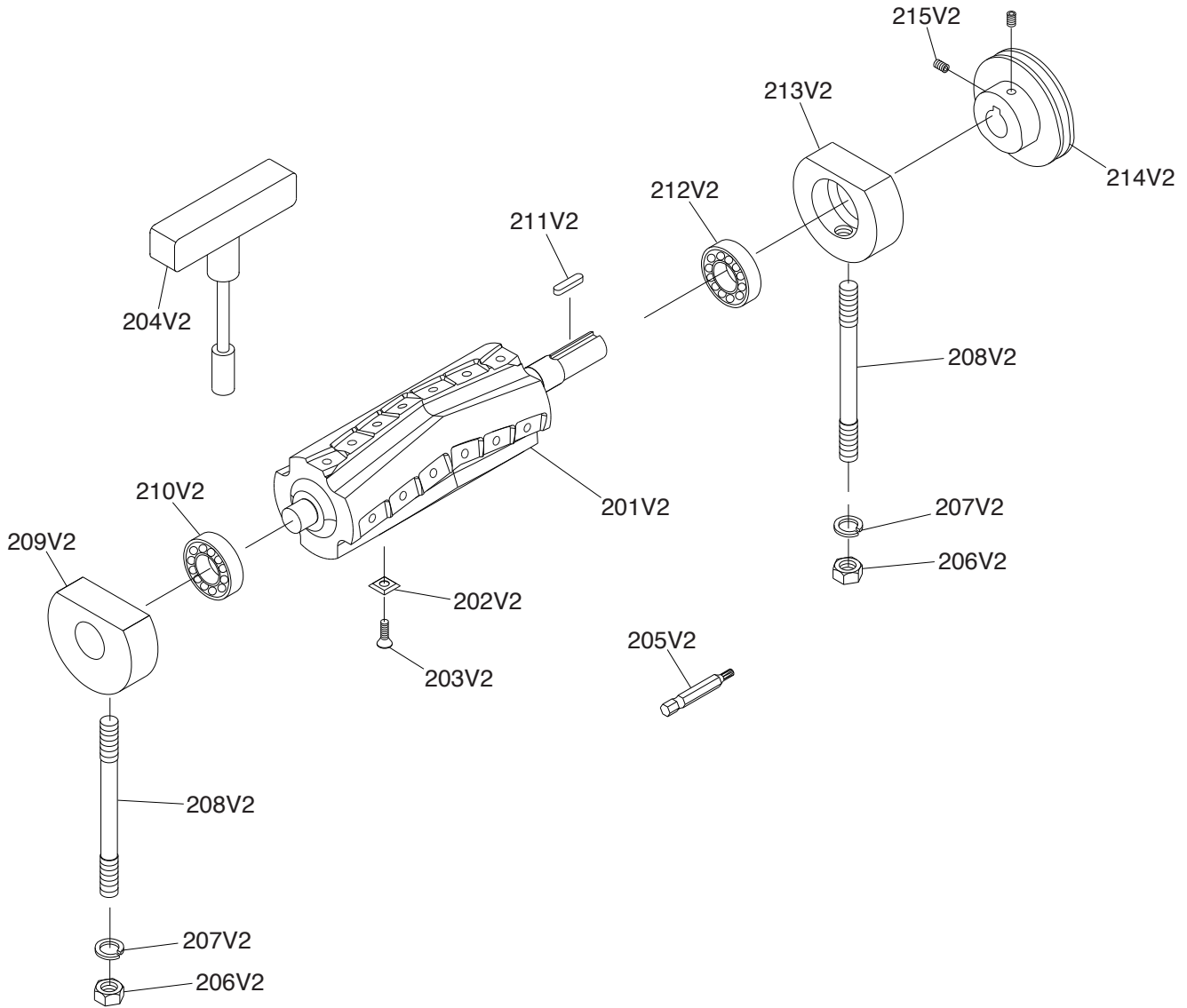


REF	PART #	DESCRIPTION
101V2	P0526101V2	FENCE
102V2	P0526102V2	PIVOT STUD 1/2-20 X 5/8
103V2	P0526103V2	FENCE HINGE
104V2	P0526104V2	SET SCREW 3/8-16 X 1-1/2 CONE-PT
105V2	P0526105V2	HEX NUT 3/8-16
106V2	P0526106V2	STUD 3/8-16 x 80, 15, 7
107V2	P0526107V2	KNOB 3/8-16, D32, BALL
108V2	P0526108V2	FLAT HD CAP SCR 5/16-18 X 1-3/4
109V2	P0526109V2	FENCE BRACKET
110V2	P0526110V2	FENCE STOP BRACKET
111V2	P0526111V2	SHOULDER BOLT 5/16-18 X 12, 3/8 X 3/4
112V2	P0526112V2	HEX NUT 7/16-14
113V2	P0526113V2	STANDOFF STUD 7/16-14 X 1-3/16, 5/8-18
114V2	P0526114V2	FENCE TILT CLAMP
115V2	P0526115V2	STOP TAB 90 DEG
116V2	P0526116V2	ROLL PIN 4 X 12
117V2	P0526117V2	SHOULDER BOLT 5/16-18 X 7/16, 1/4 X 1/2

REF	PART #	DESCRIPTION
118V2	P0526118V2	SWING STOP
119V2	P0526119V2	HEX NUT 5/8-18
120V2	P0526120V2	FENCE TILT BUSHING
121V2	P0526121V2	FENCE CARRIAGE
122V2	P0526122V2	FLAT WASHER 1/2
123V2	P0526123V2	FENCE LOCK 1/2-13 X 1-1/8
124V2	P0526124V2	FENCE TILT LOCK NUT 1/2-12
125V2	P0526125V2	HEX BOLT 5/16-18 X 1
126V2	P0526126V2	HEX NUT 5/16-18
127V2	P0526127V2	HEX BOLT 5/16-18 X 1-3/4
128V2	P0526128V2	FENCE LOCK BRACKET
129V2	P0526129V2	PHLP HD SCR 1/4-20 X 1/2
130V2	P0526130V2	FLAT WASHER 1/4
131V2	P0526131V2	SUPPORT PIN 1/4 X 1/2 PLASTIC
132V2	P0526132V2	HEX NUT 1/2-20
133V2	P0526133V2	FLAT WASHER 1/2



Cutterhead

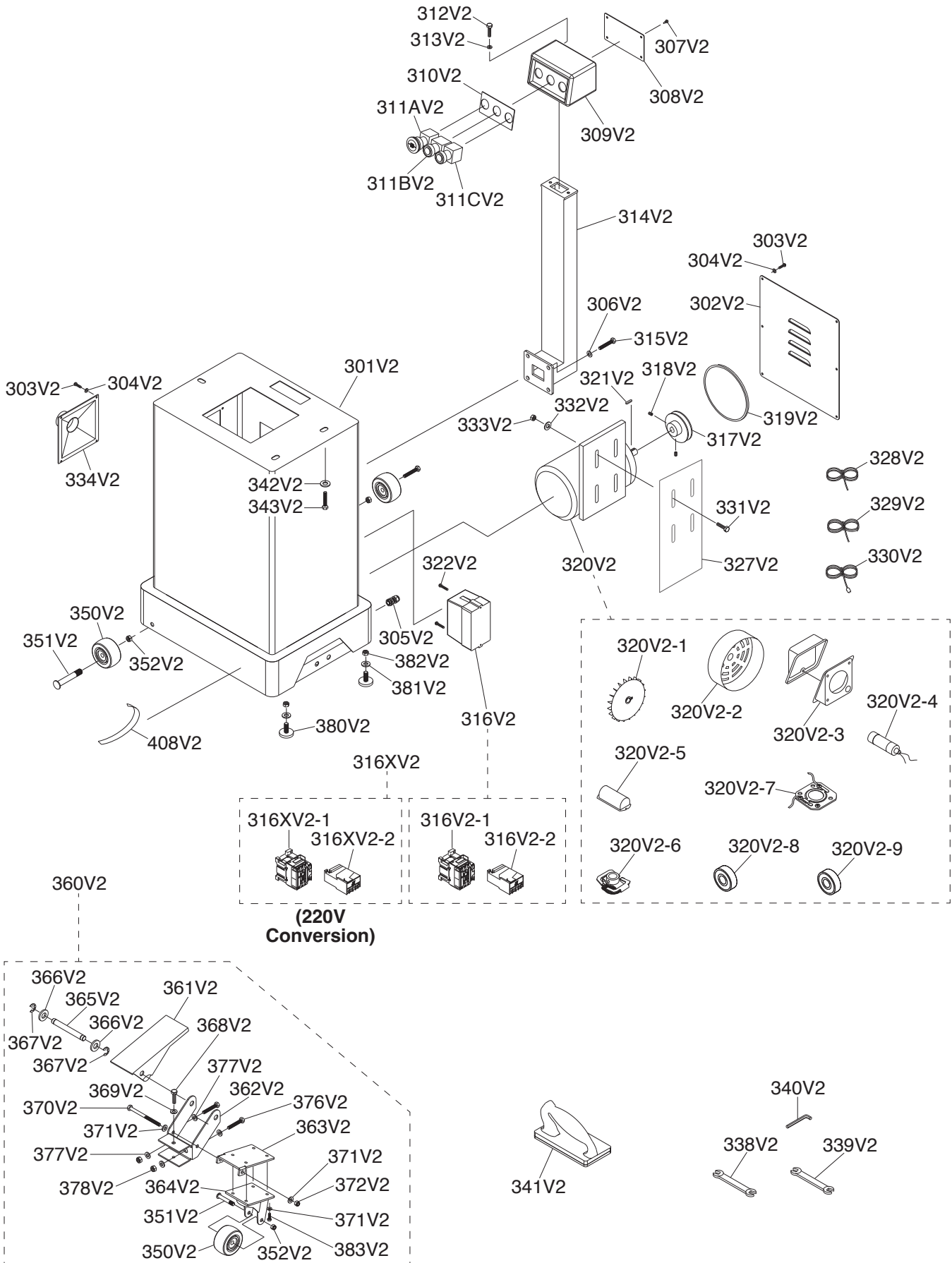


REF	PART #	DESCRIPTION
201V2	P0526201V2	V-HELICAL CUTTERHEAD ASSEMBLY 6"
202V2	P0526202V2	CARBIDE INSERT 15 X 15 X 2.5MM 10-PK
203V2	P0526203V2	FLAT HD TORX SCR T20 M6-1 X 15
204V2	P0526204V2	T-HANDLE BIT DRIVER 1/4"
205V2	P0526205V2	TORX BIT T-20
206V2	P0526206V2	HEX NUT 3/8-24
207V2	P0526207V2	LOCK WASHER 3/8
208V2	P0526208V2	STUD-SE 3/8-24 X 3-5/16, 1, 3/8"

REF	PART #	DESCRIPTION
209V2	P0526209V2	BEARING BLOCK (LEFT)
210V2	P0526210V2	BALL BEARING 6202-2RS
211V2	P0526211V2	KEY 5 X 5 X 30 RE
212V2	P0526212V2	BALL BEARING 6203-2RS
213V2	P0526213V2	BEARING BLOCK (RIGHT)
214V2	P0526214V2	CUTTERHEAD PULLEY
215V2	P0526215V2	SET SCREW 1/4-20 X 3/8



Stand



Stand Parts List

REF	PART #	DESCRIPTION
301V2	P0526301V2	CABINET STAND
302V2	P0526302V2	REAR ACCESS PANEL
303V2	P0526303V2	PHLP HD SCR 8-32 X 3/8
304V2	P0526304V2	FLAT WASHER 5MM
305V2	P0526305V2	STRAIN RELIEF TYPE-3 MG20A
306V2	P0526306V2	FLAT WASHER 5/16
307V2	P0526307V2	TAP SCREW #8 X 1/2
308V2	P0526308V2	BACK PANEL
309V2	P0526309V2	SWITCH HOUSING
310V2	P0526310V2	SWITCH PLATE
311AV2	P0526311AV2	ON BUTTON TAICHUAN
311BV2	P0526311BV2	INDICATOR LIGHT NHD NLD-22
311CV2	P0526311CV2	E-STOP BUTTON TAICHUAN
312V2	P0526312V2	HEX BOLT 1/4-20 X 5/8
313V2	P0526313V2	FLAT WASHER 1/4
314V2	P0526314V2	PEDESTAL BRACKET
315V2	P0526315V2	HEX BOLT 5/16-18 X 1
316V2	P0526316V2	MAG SWITCH ASSY 110V
316V2-1	P0526316V2-1	CONTACTOR NHD C-12D10 110V
316V2-2	P0526316V2-2	OL RELAY NHD NTH-21 17-21A
316XV2	P0526316XV2	MAG SWITCH ASSY 220V
316XV2-1	P0526316XV2-1	CONTACTOR NHD C-09D 220V
316XV2-2	P0526316XV2-2	OL RELAY NHD NTH-11 8-11A
317V2	P0526317V2	MOTOR PULLEY
318V2	P0526318V2	SET SCREW 1/4-20 X 3/8
319V2	P0526319V2	V-BELT A36
320V2	P0526320V2	MOTOR 1.5HP 110V/220V 1-PH
320V2-1	P0526320V2-1	MOTOR FAN
320V2-2	P0526320V2-2	MOTOR FAN COVER
320V2-3	P0526320V2-3	JUNCTION BOX
320V2-4	P0526320V2-4	S CAPACITOR 300MFD 125V 2 X 4-1/8
320V2-5	P0526320V2-5	CAPACITOR COVER
320V2-6	P0526320V2-6	CENTRIFUGAL SWITCH 21 2587
320V2-7	P0526320V2-7	CONTACT PLATE 27 X 69 X CPT 7MM
320V2-8	P0526320V2-8	BALL BEARING 6203-2RS (FRONT)
320V2-9	P0526320V2-9	BALL BEARING 6202-2RS (REAR)
321V2	P0526321V2	KEY 5 X 5 X 30 RE
322V2	P0526322V2	PHLP HD SCR M4-.7 X 15

REF	PART #	DESCRIPTION
327V2	P0526327V2	MOTOR BRACKET
328V2	P0526328V2	MOTOR CORD 14G 3W 19"
329V2	P0526329V2	CONTROL PANEL CORD 4W 47"
330V2	P0526330V2	POWER CORD 14G 3W 86" 5-15P
331V2	P0526331V2	CARRIAGE BOLT 5/16-18 X 5/8
332V2	P0526332V2	FLAT WASHER 5/16
333V2	P0526333V2	HEX NUT 5/16-18
334V2	P0526334V2	DUST HOOD
338V2	P0526338V2	WRENCH 8 X 10MM OPEN-ENDS
339V2	P0526339V2	WRENCH 12 X 14MM OPEN-ENDS
340V2	P0526340V2	HEX WRENCH 3MM
341V2	P0526341V2	PUSH BLOCK
342V2	P0526342V2	LOCK WASHER 3/8
343V2	P0526343V2	HEX BOLT 3/8-16 X 3/4
350V2	P0526350V2	WHEEL (BLACK)
351V2	P0526351V2	HEX BOLT 3/8-24 X 60
352V2	P0526352V2	HEX NUT 3/8-24
360V2	P0526360V2	FOOT PEDAL ASSEMBLY
361V2	P0526361V2	PEDAL
362V2	P0526362V2	PEDAL BRACKET
363V2	P0526363V2	TROLLEY BRACKET (UPPER)
364V2	P0526364V2	TROLLEY BRACKET (LOWER)
365V2	P0526365V2	CLEVIS PIN, HEADLESS-GROOVED
366V2	P0526366V2	FLAT WASHER 13 X 27 X 3MM
367V2	P0526367V2	E-CLIP 12MM
368V2	P0526368V2	HEX BOLT 5/16-18 X 2
369V2	P0526369V2	FLAT WASHER 5/16
370V2	P0526370V2	HEX BOLT 5/16-18 X 4
371V2	P0526371V2	FLAT WASHER 5/16
372V2	P0526372V2	LOCK NUT 5/16-18
376V2	P0526376V2	HEX BOLT 3/8-16 X 2-1/2
377V2	P0526377V2	FLAT WASHER 3/8
378V2	P0526378V2	HEX NUT 3/8-16
380V2	P0526380V2	FOOT 3/8-16 X 2
381V2	P0526381V2	FLAT WASHER 3/8
382V2	P0526382V2	HEX NUT 3/8-16
383V2	P0526383V2	HEX BOLT 5/16-18 X 3/8
408V2	P0526408V2	GREEN TAPE 100 X 1620MM



Labels & Cosmetics

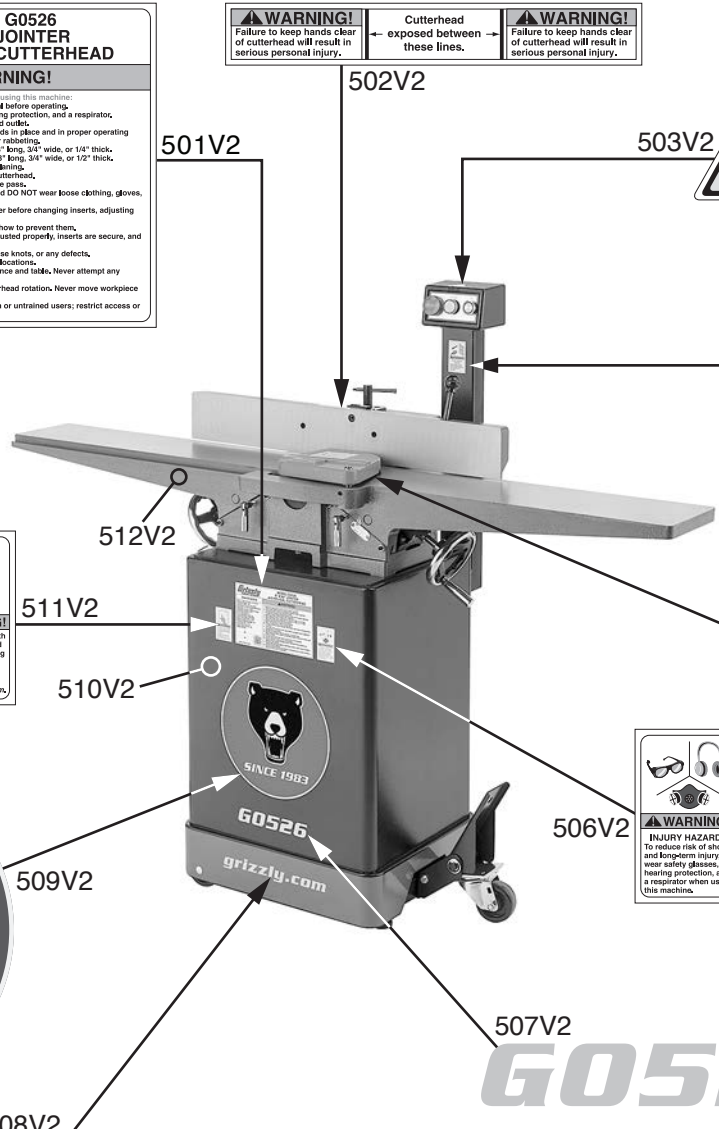
**MODEL G0526
6" X 60" JOINTER
w/V-HELICAL CUTTERHEAD**

Specifications	WARNING!
Motor: 1.5 HP, 110V/220V, 1-Ph, 60 Hz Primed Voltage: 110V Full Load: 15A at 110V, 8A at 220V Cutterhead: V-Helical w/indexable Inserts Insert Size: 15 x 15 x 2.0mm Replacement Inserts: H8983 (10-Pack) Cutterhead Diameter: 24.52" No. of Cutter Rows: 4 No. of Endurable Cutters: 24 Cutterhead Speed: 4,800 RPM No. of Cuts Per Minute: 19,200 Maximum Depth of Cut: 1/8" Maximum Rabbling Depth: 1/2" Table Size: 60" x 74 1/4" Fence Size: 29 1/4" x 4" Fence Slope: 45°, 90°, 135° Weight: 292 lbs.	To reduce the risk of serious injury when using this machine: 1. Read and understand owner's manual before operating. 2. Always wear approved eye and hearing protection, and a respirator. 3. Only plug power cord into a grounded outlet. 4. Except when rabbling, keep all guards in place and in proper operating condition. Always replace guard after rabbling. 5. Never edge-joint stock smaller than 8" long, 3/4" wide, or 1/4" thick. 6. Never face-dane stock smaller than 8" long, 3/4" wide, or 1/2" thick. 7. Always use push blocks when face planing. 8. Keep hands at least 12" away from cutterhead. 9. Never cut deeper than 1/8" on a single pass. 10. Tie back long hair, roll up sleeves, and DO NOT wear loose clothing, gloves, or jewelry. 11. Turn motor OFF and disconnect power before changing inserts, adjusting table/fence, or servicing. 12. Be aware of "kickback" hazards and how to prevent them. 13. Before starting, ensure tables are adjusted properly, inserts are secure, and jointer is stable. 14. DO NOT joint boards with cracks, loose knots, or any defects. 15. DO NOT operate in rain or use in wet locations. 16. Always support workpiece against fence and table. Never attempt any operation free-handed. 17. Always feed workpiece against cutterhead rotation. Never move workpiece backward while feeding. 18. Prevent unauthorized use by children or untrained users; restrict access or disable machine when unattended.

Date: _____

S/N: _____

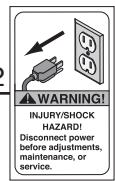
Mfd. for Grizzly by Taiwan



WARNING! Failure to keep hands clear of cutterhead will result in serious personal injury.

← Cutterhead exposed between these lines. →

WARNING! Failure to keep hands clear of cutterhead will result in serious personal injury.



! DANGER!
ROTATING CUTTERHEAD BELOW!
Use this guard for all operations possible, and immediately re-install it following operations that require its removal.

! WARNING!
KICKBACK HAZARD!
1. Ensure outfeed table is even with inserts.
2. Never exceed maximum depth of cut.
3. Do not stand directly behind workpiece.

! WARNING!
ALWAYS USE PUSH BLOCKS!
Push blocks minimize possibility of operator's hands contacting cutterhead while cutting.



grizzly.com

G0526

REF	PART #	DESCRIPTION
501V2	P0526501V2	MACHINE ID LABEL
502V2	P0526502V2	CUTTERHEAD EXPOSURE WARNING LABEL
503V2	P0526503V2	ELECTRICITY LABEL
504V2	P0526504V2	DISCONNECT POWER LABEL
505V2	P0526505V2	CUTTERHEAD WARNING LABEL
506V2	P0526506V2	EYE/EAR/LUNG WARNING LABEL

REF	PART #	DESCRIPTION
507V2	P0526507V2	MODEL NUMBER LABEL
508V2	P0526508V2	GRIZZLY.COM LABEL
509V2	P0526509V2	GREEN & BLACK SERIES LABEL
510V2	P0526510V2	TOUCH-UP PAINT, BLACK
511V2	P0526511V2	READ MANUAL LABEL
512V2	P0526512V2	TOUCH-UP PAINT, GRIZZLY GREEN

! WARNING

Safety labels help reduce the risk of serious injury caused by machine hazards. If any label comes off or becomes unreadable, the owner of this machine **MUST** replace it in the original location before resuming operations. For replacements, contact (800) 523-4777 or www.grizzly.com.

BUY PARTS ONLINE AT GRIZZLY.COM!

Scan QR code to visit our Parts Store.

