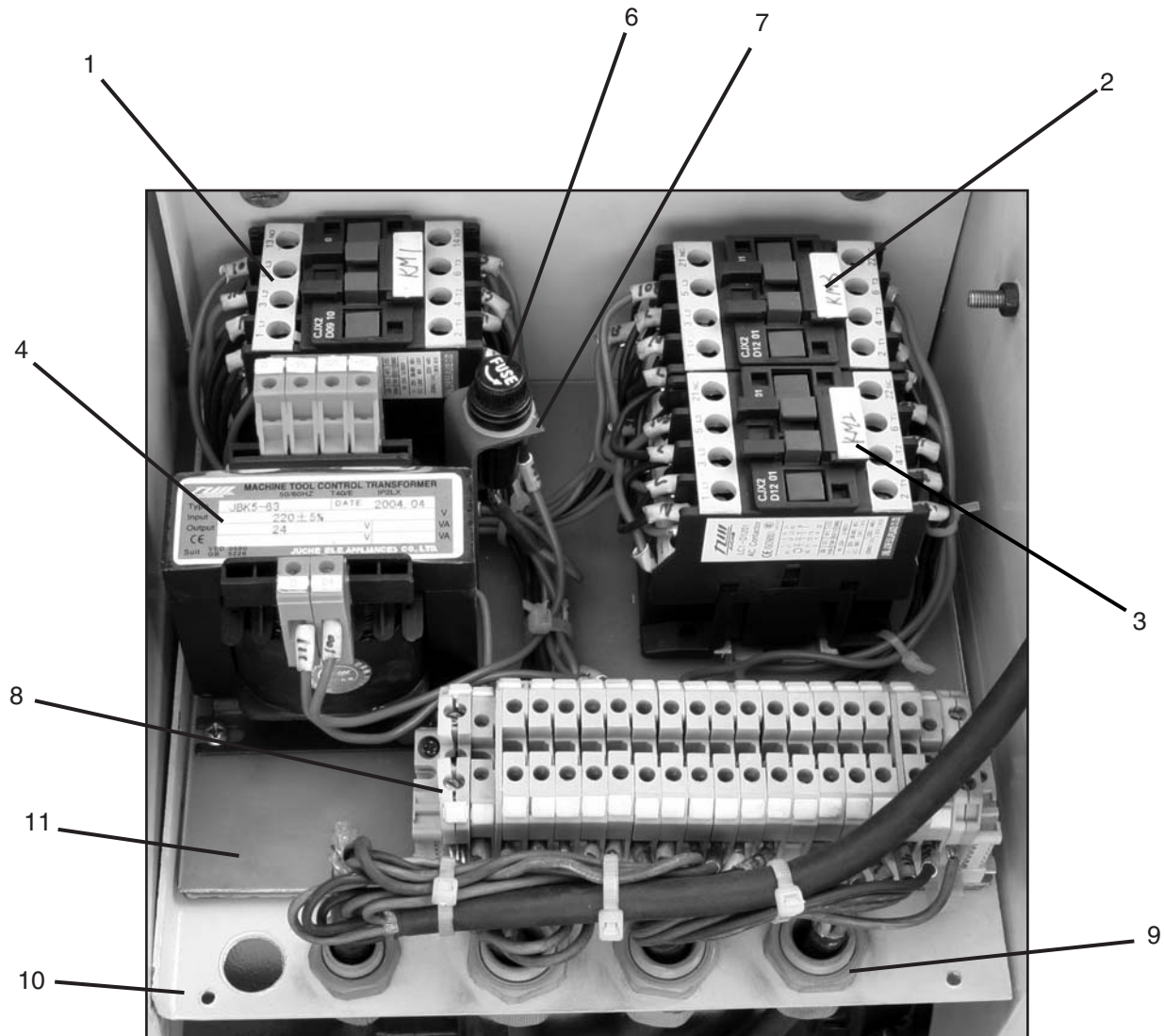


# SECTION 9: PARTS

## Electrical Box (0000 Series Parts)



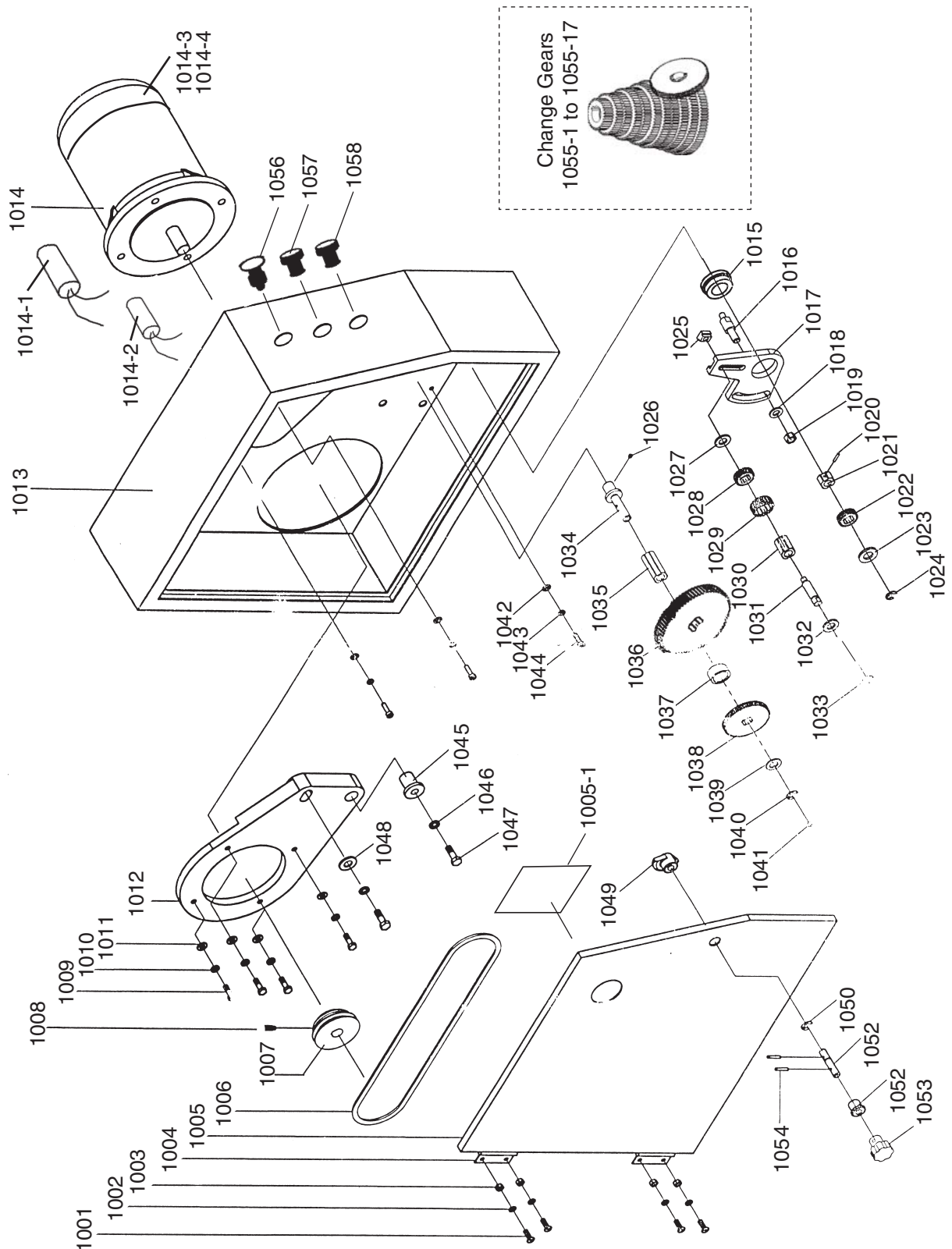
## 0000 Series Parts List

REF	PART #	DESCRIPTION
1	P04920001	CONTACTOR (LC1-D0910, B5, 24V, 50HZ)
2	P04920002	CONTACTOR (LC1-D1201, B5, 24V, 50HZ)
3	P04920003	CONTACTOR (LC1-D1201, B5, 24V, 50HZ)
4	P04920004	TRANSFORMER (JBK5-63), (INPUT 220V +/- 5%, OUTPUT 24V)

REF	PART #	DESCRIPTION
6	P04920006	FUSE 2A
7	P04920007	FUSE HOUSING
8	P04920008	TERMINAL BLOCK
9	P04920009	STRAIN RELIEF
10	P04920010	ELECTRICAL BOX
10-1	P04920010-1	ELECTRICAL BOX COVER
11	P04920011	CONTACTOR MOUNTING PLATE



# Lathe Change Gear Housing Diagram (1000 Series Parts)



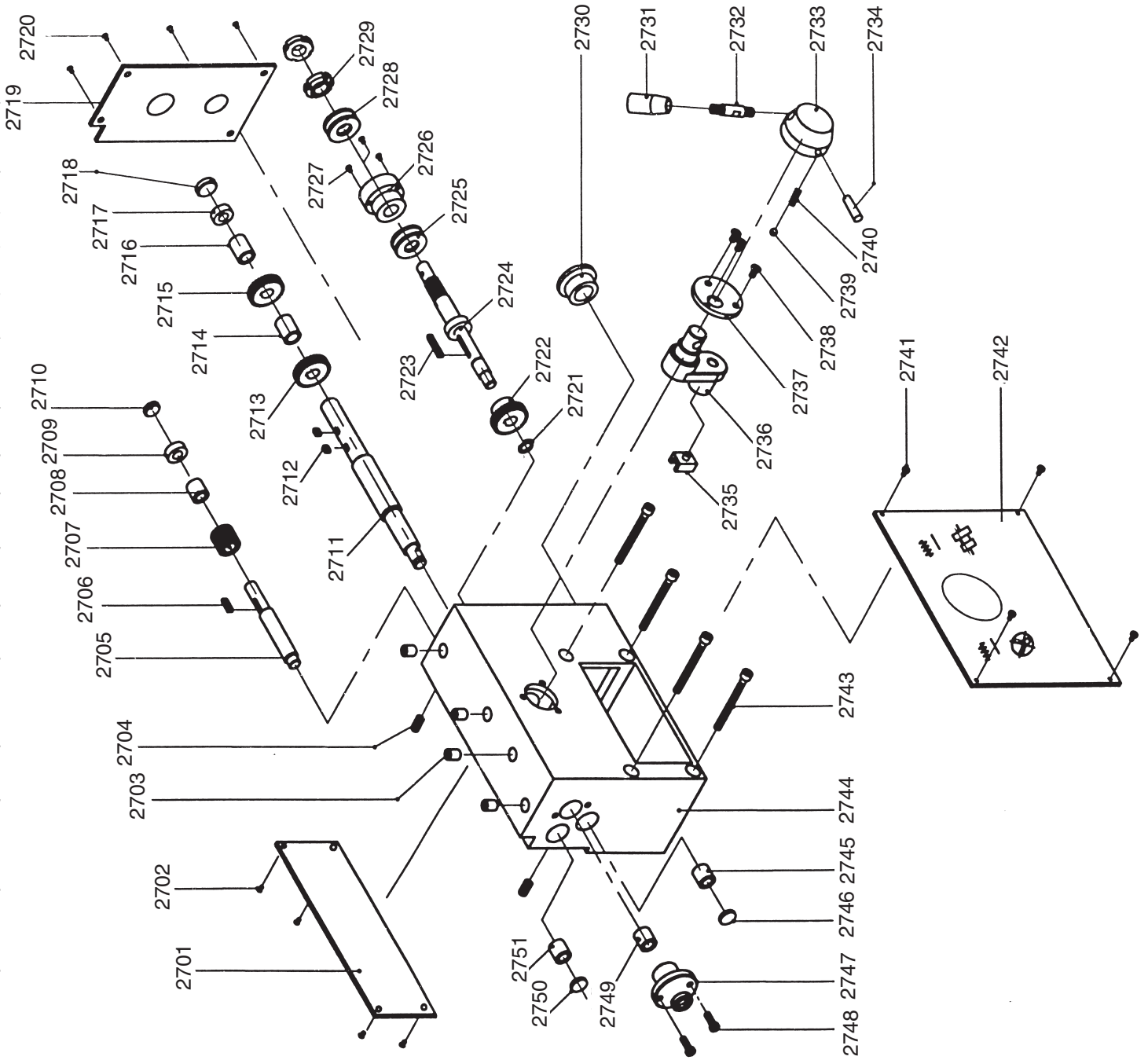
# 1000 Series Parts List

REF	PART #	DESCRIPTION
1001	PS38M	PHLP HD SCR M4-.7 X 10
1002	PLW02M	LOCK WASHER 4MM
1003	PN04M	HEX NUT M4-.7
1004	P04921004	HINGE
1005	P04921005	DOOR
1005-1	P04921005-1	CHANGE GEAR CHART
1006	PVA71	V-BELT A-71 4L710
1007	P04921007	MOTOR PULLEY
1008	PSS03M	SET SCREW M6-1 X 8
1009	PB07M	HEX BOLT M8-1.25 X 25
1010	PLW04M	LOCK WASHER 8MM
1011	PW01M	FLAT WASHER 8MM
1012	P04921012	MOTOR MOUNT PLATE
1013	P04921013	COMPOUND BOX
1014	P04921014	MOTOR 3/4HP 220V
1014-1	P04921014-1	RUN CAPACITOR 20MFD/450VAC
1014-2	P04921014-2	S. CAPACITOR 150MFD/250VAC
1014-3	P04921014-3	MOTOR FAN
1014-4	P04921014-4	FAN COVER
1015	P04921015	SLEEVE
1016	P04921016	SHAFT
1017	P04921017	LASH ADJUSTER
1018	PW04M	FLAT WASHER 10MM
1019	PN02M	HEX NUT M10-1.5
1020	PRP64M	ROLL PIN 3 X 18MM
1021	P04921021	SPLINED WEAR BUSHING (13MM LONG)
1022	P04921022	CHANGE GEAR (48-TOOTH)
1023	PW06M	FLAT WASHER 12MM
1024	PEC12M	E-CLIP 12MM
1025	P04921025	T-NUT
1026	P04921026	SPECIAL SCREW
1027	PW06M	FLAT WASHER 12MM
1028	P04921028	CHANGE GEAR (50-TOOTH)
1029	P04921029	CHANGE GEAR (25-TOOTH)
1030	P04921030	SPLINED WEAR BUSHING (26MM LONG)
1031	P04921031	IDLER SHAFT
1032	PW06M	FLAT WASHER 12MM
1033	PEC12M	E-CLIP 12MM
1034	P04921034	IDLER SHAFT

REF	PART #	DESCRIPTION
1035	P04921035	LONG SPLINED WEAR BUSHING
1036	P04921036	CHANGE GEAR (60-TOOTH)
1037	P04921037	SPACER SLEEVE
1038	P04921038	CHANGE GEAR (24-TOOTH)
1039	PW06M	FLAT WASHER 12MM
1040	PEC12M	E-CLIP 12MM
1041	P04921041	BALL OILER 6MM
1042	PW03M	FLAT WASHER 6MM
1043	PLW03M	LOCK WASHER 6MM
1044	PSB01M	CAP SCREW M6-1 X 16
1045	P04921045	SHOULDER BUSHING
1046	PLW06M	LOCK WASHER 10MM
1047	PB116M	HEX BOLT M10-1.5 X 45
1048	PW04M	FLAT WASHER 10MM
1049	P04921049	DOOR LATCH
1050	PEC09M	E-CLIP 6MM
1051	P04921051	TUMBLER SHAFT
1052	P04921052	SHOULDER SLEEVE
1053	P04921053	STAR-GRIP KNOB #8-32
1054	P04921054	TAPER PINS
1055-1	P04921055-1	CHANGE GEAR (24-TOOTH)
1055-2	P04921055-2	CHANGE GEAR (25-TOOTH)
1055-3	P04921055-3	CHANGE GEAR (27-TOOTH)
1055-4	P04921055-4	CHANGE GEAR (28-TOOTH)
1055-5	P04921055-5	CHANGE GEAR (30-TOOTH)
1055-6	P04921055-6	CHANGE GEAR (32-TOOTH)
1055-7	P04921055-7	CHANGE GEAR (34-TOOTH)
1055-8	P04921055-8	CHANGE GEAR (35-TOOTH)
1055-9	P04921055-9	CHANGE GEAR (36-TOOTH)
1055-10	P04921055-10	CHANGE GEAR (40-TOOTH)
1055-11	P04921055-11	CHANGE GEAR (42-TOOTH)
1055-12	P04921055-12	CHANGE GEAR (44-TOOTH)
1055-13	P04921055-13	CHANGE GEAR (46-TOOTH)
1055-14	P04921055-14	CHANGE GEAR (48-TOOTH)
1055-15	P04921055-15	CHANGE GEAR (50-TOOTH)
1055-16	P04921055-16	CHANGE GEAR (52-TOOTH)
1055-17	P04921055-17	CHANGE GEAR (60-TOOTH)
1056	P04921056	EMERGENCY STOP SWITCH
1057	P04921057	GREEN POWER LAMP
1058	P04921058	JOG BUTTON



# Leadscrew Gearbox Diagram (2700 Series Parts)



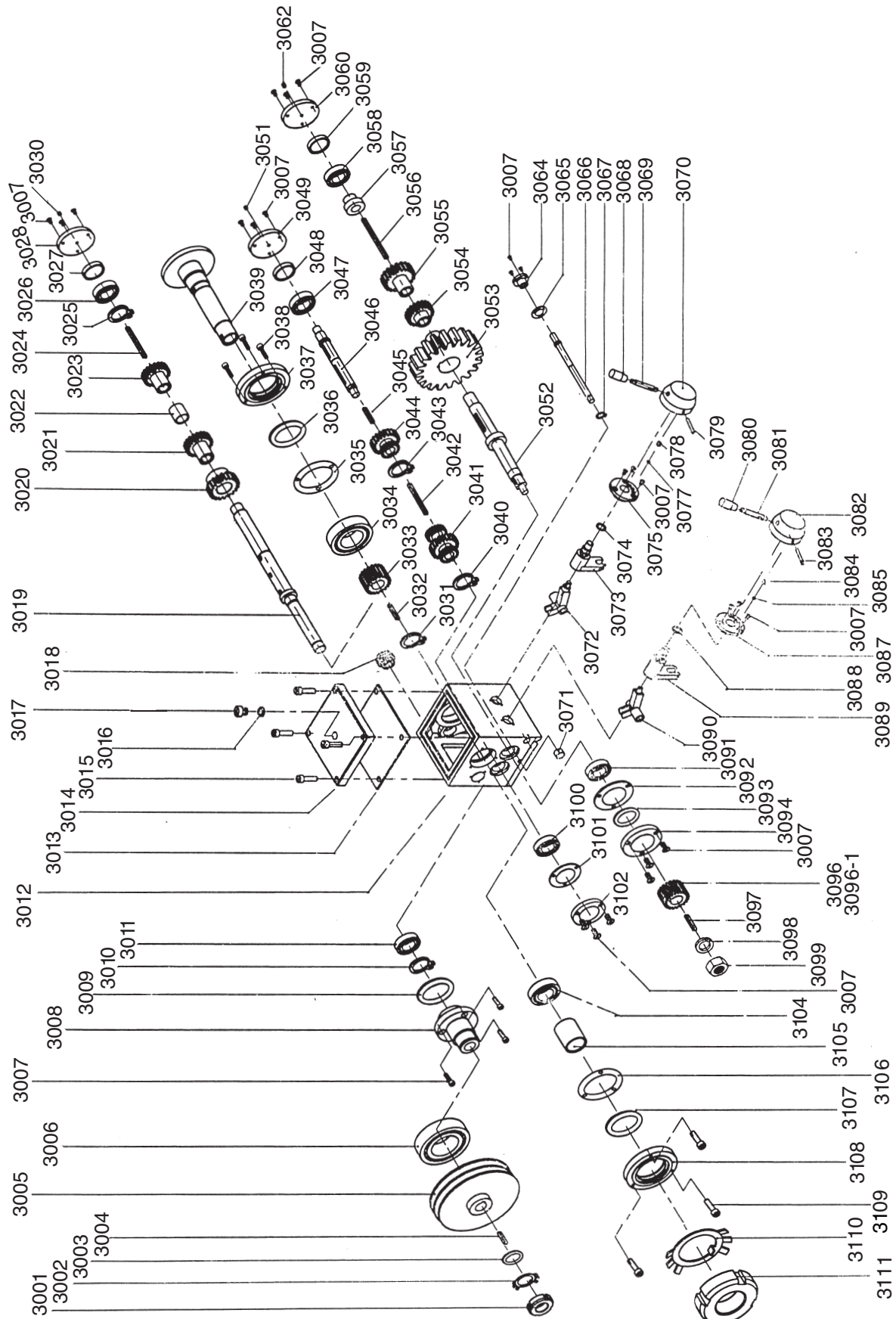
# 2700 Series Parts List

REF	PART #	DESCRIPTION
2701	P04922701	COVER PLATE
2702	PS05M	PHLP HD SCR M5-.8 X 8
2703	P04922703	BALL OILER 8MM
2704	P04922704	SPECIAL SET SCREW M5-.8 X 6
2705	P04922705	SHAFT
2706	PK08M	KEY 5 X 5 X 16
2707	P04922707	GEAR (20-TOOTH)
2708	P04922708	SPACER
2709	P04922709	SLEEVE
2710	P04922710	PLUG
2711	P04922711	SHAFT
2712	PK127M	KEY 5 X 5 X 8
2713	P04922713	GEAR (20-TOOTH)
2714	P04922714	SPACER
2715	P04922715	GEAR (20-TOOTH)
2716	P04922716	SPACER
2717	P04922717	SLEEVE
2718	P04922718	PLUG
2719	P04922719	COVER PLATE
2720	PS07M	PHLP HD SCR M4-.7 X 8
2721	PR06M	EXT RETAINING RING 16MM
2722	P04922722	GEAR (20-TOOTH)
2723	PK126M	KEY 5 X 5 X 32
2724	P04922724	SHAFT
2725	P8102	BEARING 8102
2726	P04922726	FLANGE HUB

REF	PART #	DESCRIPTION
2727	PSB24M	CAP SCREW M5-.8 X 16
2728	P8102	BEARING 8102
2729	P04922729	SPANNER NUT
2730	P04922730	FLANGE HUB
2731	P04922731	KNOB M8-1.25 FEMALE
2732	P04922732	LEVER
2733	P04922733	LEVER HUB
2734	P04922734	TAPER PIN
2735	P04922735	SHIFTING YOKE
2736	P04922736	SHIFTING FORK
2737	P04922737	LOCATING PLATE
2738	PFH07M	FLAT HD SCR M5-.8 X 10
2739	P04923077	STEEL BALL 6.5MM
2740	P04922740	COMPRESSION SPRING
2741	PS12M	PHLP HD SCR M3-.5 X 6
2742	P04922742	FRONT PANEL
2743	P04922743	CAP SCREW M8-1.25 X 100
2744	P04922744	HOUSING
2745	P04922745	BUSHING
2746	P04922746	PLUG
2747	P04922747	FLANGE HUB
2748	PSB33M	CAP SCREW M5-.8 X 12
2749	P04922749	BUSHING
2750	P04922750	PLUG
2751	P04922751	BUSHING



# Lathe Headstock Diagram (3000 Series Parts)



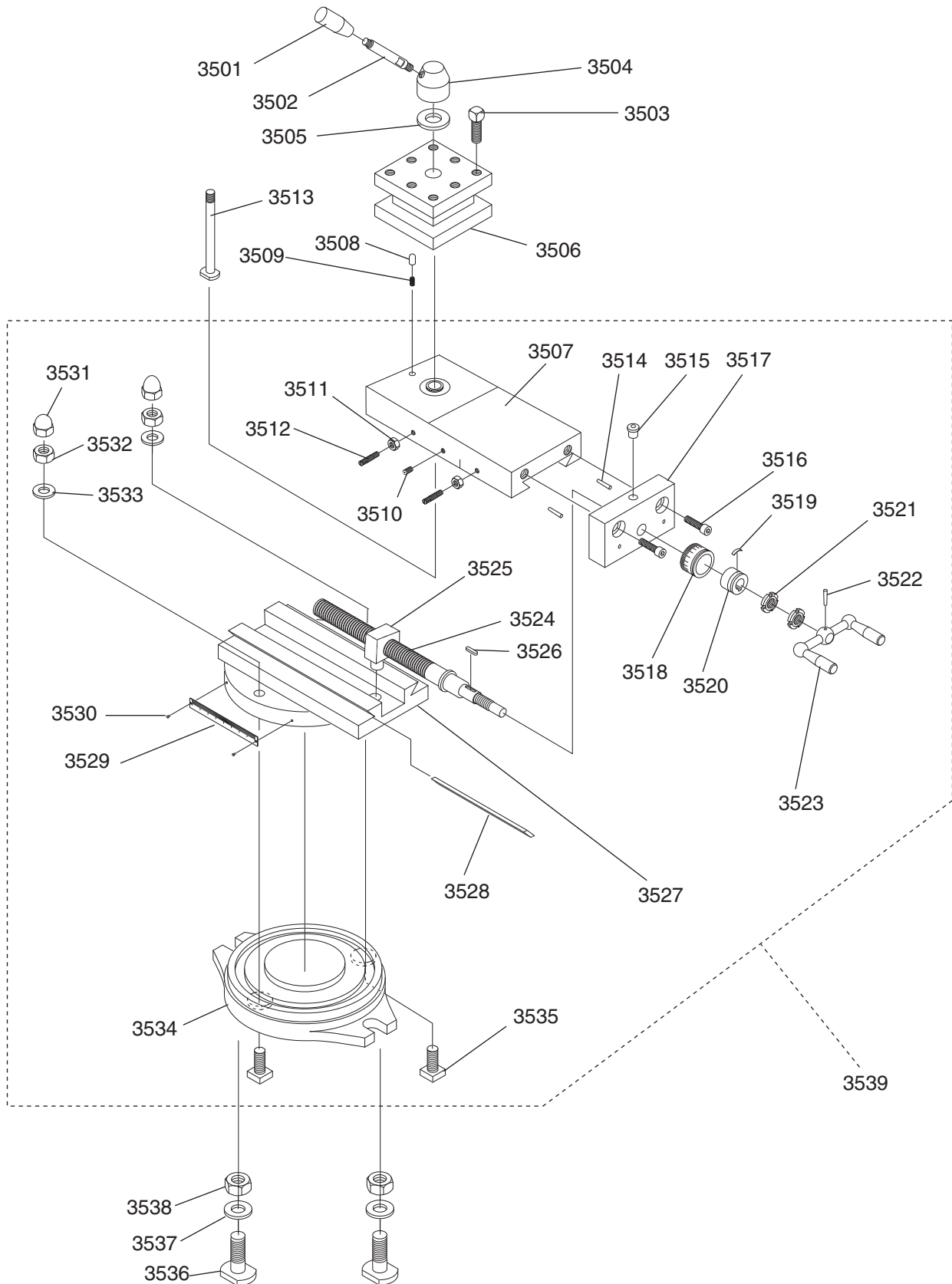
# 3000 Series Parts List

REF	PART #	DESCRIPTION
3001	P04923001	SPANNER NUT M16-1.5
3002	P04923002	TANG WASHER
3003	PW08M	FLAT WASHER 16MM
3004	PK08M	KEY 5 X 5 X 16
3005	P04923005	SPINDLE PULLEY
3006	P04923006	TAPER ROLLER BEARING 60206
3007	PSB33M	CAP SCREW M5-.8 X 12
3008	P04923008	HUB
3009	P04923009	FELT SEAL
3010	PR06M	EXT RETAINING RING 16MM
3011	P04923011	BALL BEARING 203
3012	P04923012	HEADSTOCK CASTING
3013	P04923013	GASKET
3014	P04923014	HEADSTOCK COVER
3015	PSB13M	CAP SCREW M8-1.25 X 30
3016	P04923016	O-RING 30 X 20 X 2MM
3017	P04923017	FILL PLUG
3018	P04923018	SIGHT GLASS
3019	P04923019	SPINDLE SHAFT
3020	P04923020	GEAR (42-TOOTH)
3021	P04923021	GEAR (20-TOOTH)
3022	P04923022	SLEEVE SPACER
3023	P04923023	GEAR (30-TOOTH)
3024	PK13M	KEY 5 X 5 X 70
3025	PR07M	EXT RETAINING RING 18MM
3026	P04923011	BALL BEARING 203
3027	P04923027	BEARING SLEEVE
3028	P04923028	END CAP
3030	PSS03M	SET SCREW M6-1 X 8
3031	PR78M	EXT RETAINING RING 55MM
3032	P04923032	THIN FLAT KEY
3033	P04923033	GEAR (56-TOOTH)
3034	P04923034	TAPER ROLLER BEARING D2007112
3035	P04923035	SPANNER WASHER 120MM
3036	P04923036	FELT RING
3037	P04923037	MAINSHAFT OIL SEAL
3038	PB42M	HEX BOLT M5-.8 X 20
3039	P04923039	LATHE SPINDLE
3040	PR09M	EXT RETAINING RING 20MM
3041	P04923041	CLUSTER GEAR
3042	PK128M	KEY 5 X 5 X 60
3043	PR09M	EXT RETAINING RING 20MM
3044	P04923044	COMBO GEAR (22/57-TOOTH)
3045	PK02M	KEY 5 X 5 X 40
3046	P04923046	INTERMEDIATE SHAFT
3047	P04923011	BALL BEARING 203
3048	P04923048	SLEEVE
3049	P04923049	END CAP
3051	PSS03M	SET SCREW M6-1 X 8
3052	P04923052	OUTPUT SHAFT
3053	P04923053	PLASTIC GEAR 68-TOOTH
3054	P04923054	GEAR (33-TOOTH)
3055	P04923055	GEAR (56-TOOTH)

REF	PART #	DESCRIPTION
3056	PK128M	KEY 5 X 5 X 60
3057	P04923057	SPACER SLEEVE
3058	P04923011	BALL BEARING 203
3059	P04923059	SLEEVE
3060	P04923060	END CAP
3062	PSS03M	SET SCREW M6-1 X 8
3064	P04923064	FIXED FLANGE
3065	P04923065	SPANNER WASHER 45MM
3066	P04923066	SHIFT FORK SHAFT
3067	PR03M	EXT RETAINING RING 12MM
3068	P04923068	KNOB M8-1.25 FEMALE
3069	P04923069	LEVER
3070	P04923070	LEVER HUB
3071	P04923071	OIL DRAIN
3072	P04923072	RIGHT SHIFTING FORK
3073	P04923073	RIGHT SHIFTING FORK SHAFT
3074	P04923074	O-RING
3075	P04923075	FIXED FLANGE
3077	P04923077	STEEL BALL 6.5MM
3078	P04923078	COMPRESSION SPRING
3079	P04923079	TAPER PIN
3080	P04923080	KNOB M8-1.25 FEMALE
3081	P04923081	LEVER
3082	P04923082	LEVER HUB
3083	P04923083	TAPER PIN
3084	P04923084	COMPRESSION SPRING
3085	P04923077	STEEL BALL 6.5MM
3087	P04923087	FLANGE
3088	P04923088	OIL SEAL 16 X 2.4MM
3089	P04923089	LEFT SHIFTING FORK SHAFT
3090	P04923090	LEFT SHIFTING FORK
3091	P04923011	BALL BEARING 203
3092	P04923092	SPANNER WASHER
3093	P04923093	FELT RING
3094	P04923094	FLANGE
3096	P04923096	KEYED DRIVE GEAR (24-FINE TOOTH)
3096-1	P04923096-1	KEYED DRIVE GEAR SET (28 & 35-COARSE TOOTH)
3097	PK05M	KEY 4 X 4 X 10
3098	PLW06M	LOCK WASHER 10MM
3099	PN02M	HEX NUT M10-1.5
3100	P04923011	BALL BEARING 203
3101	P04923101	SPANNER WASHER 60MM
3102	P04923102	END CAP
3104	P04923104	TAPER ROLLER BEARING 2007110
3105	P04923105	SPECIAL WASHER
3106	P04923106	SPANNER WASHER 105MM
3107	P04923107	FELT RING
3108	P04923108	END CAP
3109	P04923109	CAP SCREW
3110	P04923110	TANG WASHER
3111	P04923111	SPANNER NUT



# Compound Rest and Tool Post Diagram (3500 Series Parts)



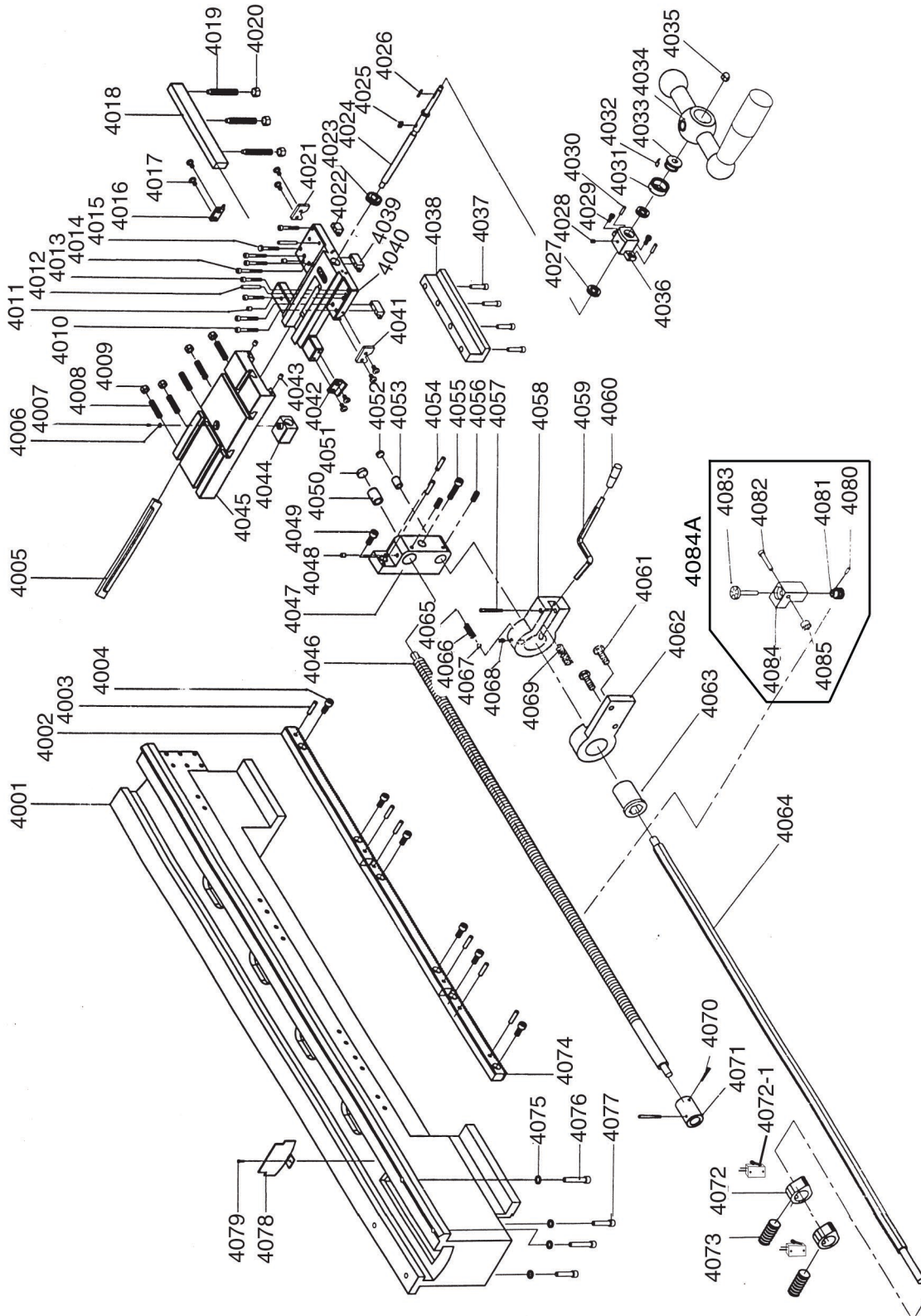
# 3500 Series Parts List

REF	PART #	DESCRIPTION
3501	P04923501	FEMALE KNOB 5/16-18
3502	P04923502	LEVER 5/16-20
3503	P04923503	TOOL POST BOLT M10-1.5 X 20
3504	P04923504	LEVER HUB
3505	P04923505	SPACER
3506	P04923506	FOUR-WAY TOOL POST
3507	P04923507	SLIDE
3508	P04923508	DETENT PIN
3509	P04923509	COMPRESSION SPRING
3510	PSS64M	SET SCREW M6-1 X 15
3511	PN01M	HEX NUT M6-1
3512	PSS01M	SET SCREW M6-1 X 10
3513	P04923513	T-BOLT
3514	P04923514	DOWEL PIN
3515	P04923515	BALL OILER
3516	PSB01M	CAP SCREW M6-1 X 16
3517	P04923517	END BLOCK
3518	P04923518	SCALE HUB
3519	P04923519	FLAT SPRING
3520	P04923520	HUB

REF	PART #	DESCRIPTION
3521	P04923521	SPANNER NUT
3522	P04923522	TAPERED PIN
3523	P04923523	HANDLE ASSY
3524	P04923524	LEAD SCREW
3525	P04923525	LEAD SCREW NUT
3526	P04923526	SPECIAL KEY
3527	P04923527	WAY BASE
3528	P04923528	GIB
3529	P04923529	SCALE PLATE
3530	P04923530	RIVET
3531	PN18M	ACORN NUT M8-1.25
3532	PN03M	HEX NUT M8-1.25
3533	PW01M	FLAT WASHER 8MM
3534	P04923534	BASE
3535	P04923535	T-NUT M8-1.25 X 25
3536	P04923536	T-NUT M10-1.5 X 32
3537	PW04M	FLAT WASHER 10MM
3538	PN02M	HEX NUT M10-1.5
3539	P04923539	COMPLETE COMPOUND REST



# Bed Diagram (4000 Series Parts)



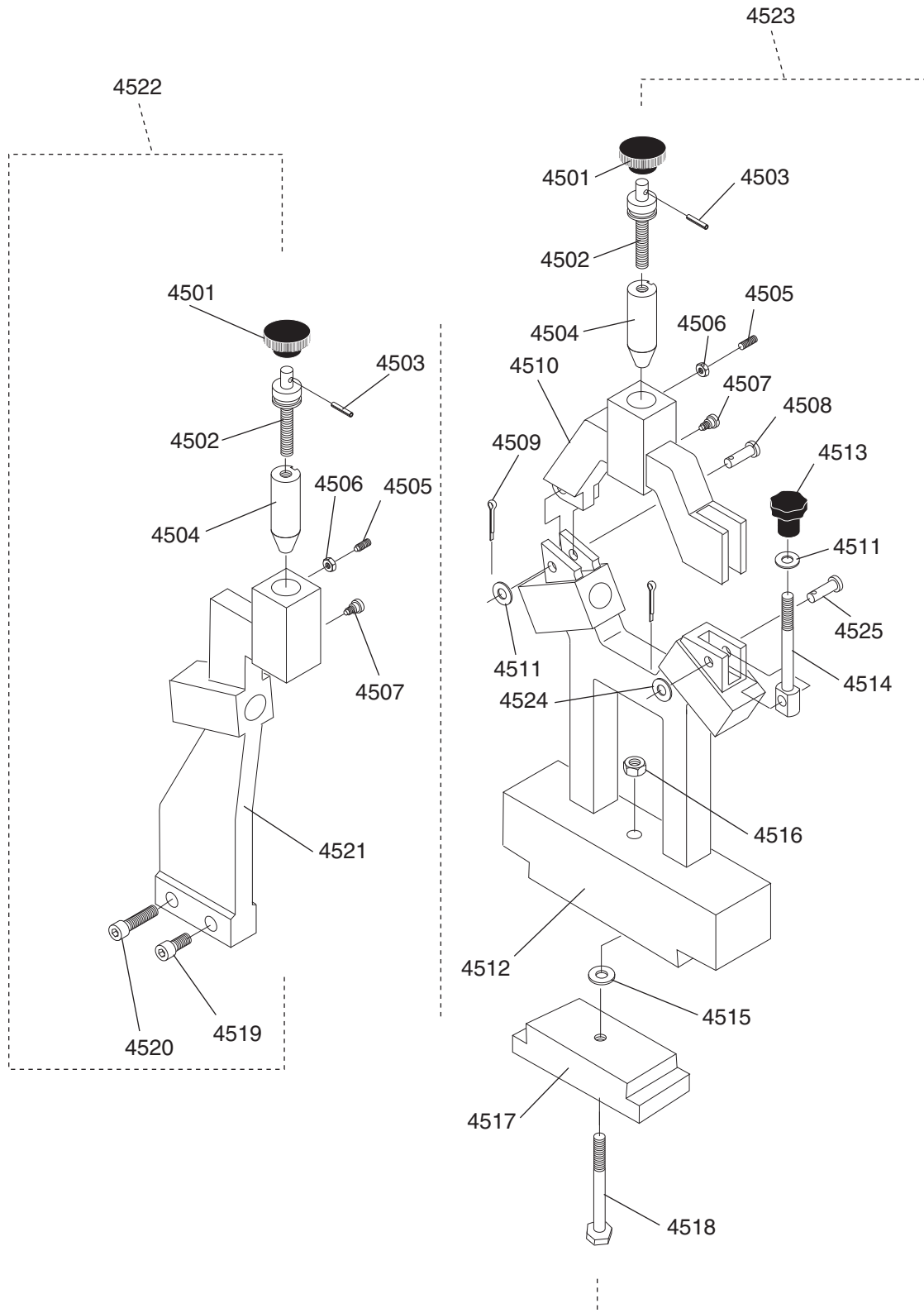
# 4000 Series Parts List

REF	PART #	DESCRIPTION
4001	P04924001	BED
4002	P04924002	RACK SET
4003	P04924003	TAPER PIN
4004	PSB11M	CAP SCREW M8-1.25 X 16
4005	P04924005	CHOCK
4006	P04924006	SPECIAL FLAT WASHER
4007	PS08M	PHLP HD SCR M5-.8 X 12
4008	PSS12M	SET SCREW SCR M6-1 X 25
4009	PN01M	HEX NUT M6-1
4010	PSB48M	CAP SCREW M6-1 X 35
4011	P04924011	BALL OILER 8MM
4012	P04924012	TAPER PIN
4013	PSB07M	CAP SCREW M6-1 X 30
4014	PSB30M	CAP SCREW M6-1 X 45
4015	PB47M	HEX BOLT M6-1 X 40
4016	P04924016	WIPER
4017	PFH07M	FLAT HD SCR M5-.8 X 10
4018	P04924018	CHOCK
4019	PSS09M	SET SCREW M8-1.25 X 20
4020	PN03M	HEX NUT M8-1.25
4021	P04924021	WIPER
4022	P04924022	BLOCK
4023	P04924023	GEAR (20-TOOTH)
4024	P04924024	CROSS FEED LEAD SCREW
4025	PK08M	KEY 5 X 5 X 16
4026	PK29M	KEY 4 X 4 X 8
4027	P8201	BALL BEARING 8201
4028	P04924028	STEEL BALL 6MM
4029	PB83M	HEX BOLT M6-1 X 16
4030	P04924030	TAPER PIN 5 X 20MM
4031	P04924031	DIAL
4032	P04924032	FLAT SPRING
4033	P04924033	DIAL SLEEVE
4034	P04924034	CRANK HANDLE
4035	PN41M	ACORN NUT M10-1.5
4036	P04924036	LEAD SCREW NUT HOUSING
4037	PSB12M	CAP SCREW M8-1.25 X 40
4038	P04924038	L-BLOCK LONG
4039	P04924039	L-BLOCK SMALL
4040	P04924040	CARRIAGE
4041	P04924041	WIPER
4042	P04924042	WIPER
4043	P04924028	BALL OILER 6MM

REF	PART #	DESCRIPTION
4044	P04924044	CROSS NUT
4045	P04924045	WORKTABLE
4046	P04924046	LONGITUDINAL FEED SCREW
4047	P04924047	LEADSCREW ENDCAP
4048	P04924028	BALL OILER 6MM
4049	PSB14M	CAP SCREW M8-1.25 X 20
4050	P04924050	SLEEVE
4051	P04924051	PLUG
4052	P04924052	PLUG
4053	P04924053	BUSHING
4054	P04924054	TAPER PIN
4055	PSB35M	CAP SCREW M8-1.25 X 60
4056	P04924056	SPECIAL SET SCREW M5-.8 X 10
4057	PRP91M	ROLL PIN 5 X 35
4058	P04924058	LOCKING HANDLE SEAT
4059	P04924059	LEVER
4060	P04924060	KNOB M10-1.5 FEMALE
4061	PSB26M	CAP SCREW M6-1 X 12
4062	P04924062	PEDESTAL
4063	P04924063	SLEEVE
4064	P04924064	CONTROL ROD
4065	P04924065	SPECIAL SET SCREW M8-1.25 X 8
4066	P04924066	COMPRESSION SPRING
4067	P04924028	STEEL BALL 6MM
4068	P04924068	SPECIAL SET SCREW M8-1.25 X 15
4069	P04924069	COMPRESSION SPRING
4070	P04924070	TAPER PIN
4071	P04924071	COUPLING SLEEVE
4072	P04924072	CAM LOBE
4072-1	P04924072-1	LIMIT SWITCH
4073	P04924073	SPECIAL SET SCREW M4-.7 X 6
4074	P04924074	RACK SET
4075	PW04M	FLAT WASHER 10MM
4076	PSB47M	CAP SCREW M10-1.5 X 40
4077	PSB84M	CAP SCREW M10-1.5 X 35
4078	P04924078	SHIELD
4079	PSB50M	CAP SCREW M5-.8 X 10
4080	P04924080	TAPER PIN
4081	P04924081	WORM WHEEL
4082	PSB29M	CAP SCREW M6-1 X 40
4083	P04924083	THREAD INDICATOR
4084	P04924084	THREAD DIAL HOUSING
4085	PN01M	HEX NUT M6-1



# Steady Rest and Follow Rest Diagram (4500 Series Parts)



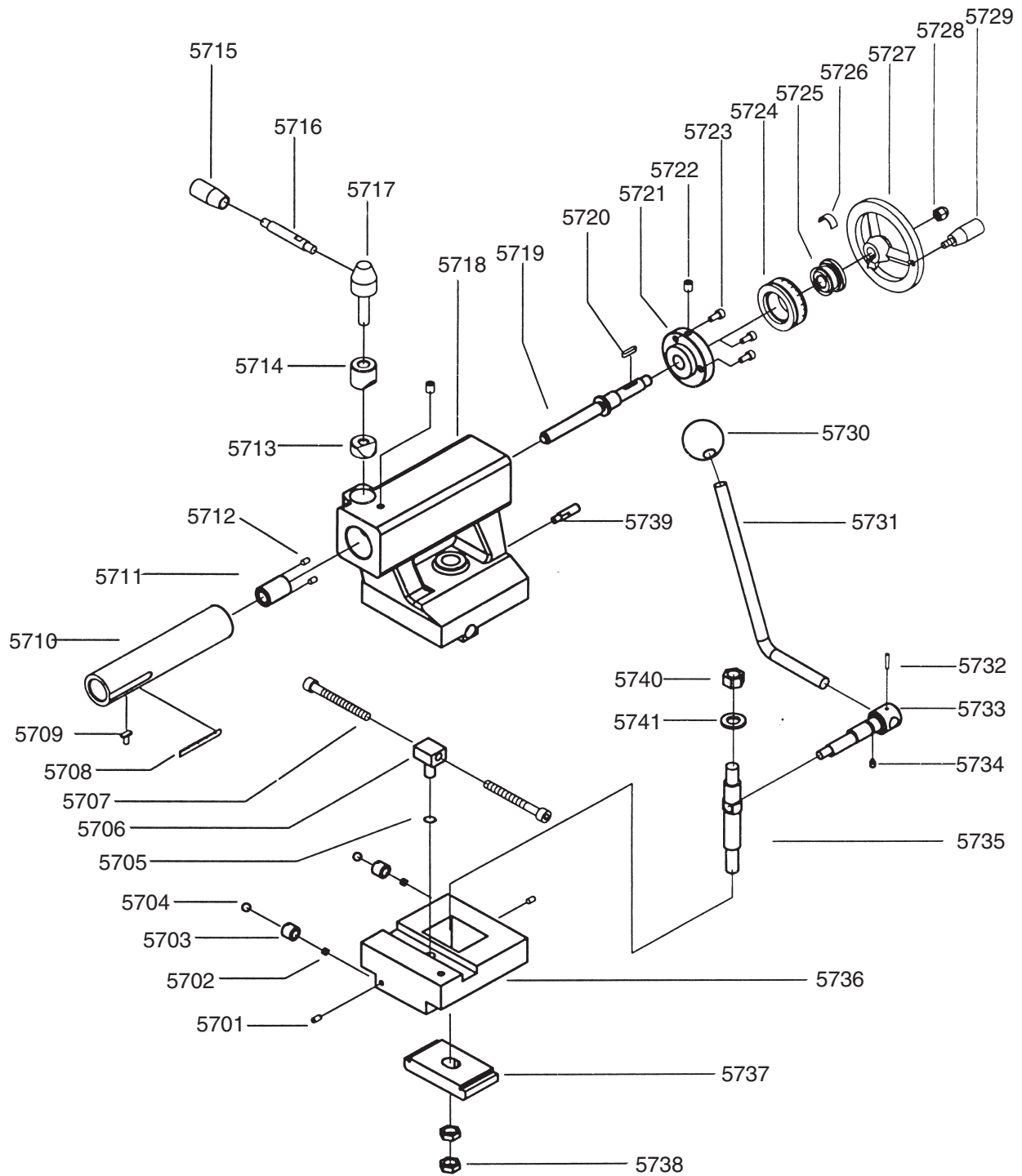
# 4500 Series Parts List

REF	PART #	DESCRIPTION
4501	P04924501	PINNED KNOB
4502	P04924502	ADJUSTMENT STUD
4503	P04924503	TAPERED PIN
4504	P04924504	BRASS-TIPPED FINGER
4505	P04924505	SPECIAL SET SCREW M6-1
4506	PN01M	HEX NUT M6-1
4507	P04924507	THUMB KNOB M6-1.0 X 20
4508	P04924508	CLEVIS PIN 8 X 32MM
4509	P04924509	COTTER PIN 3 X 25MM
4510	P04924510	STEADY REST HEAD
4511	PW01M	FLAT WASHER 8MM
4512	P04924512	STEADY REST BASE
4513	P04924513	FEMALE KNOB M8-1.25

REF	PART #	DESCRIPTION
4514	P04924514	SPECIAL EYE BOLT
4515	PW04M	FLAT WASHER 10MM
4516	PN02M	HEX NUT M10-1.5
4517	P04924517	CHOCK
4518	PB120M	HEX BOLT M10-1.5 X 65
4519	PSB14M	CAP SCREW M8-1.25 X 20
4520	PSB31M	CAP SCREW M8-1.25 X 25
4521	P04924521	FOLLOW REST CASTING
4522	P04924522	COMPLETE FOLLOW REST
4523	P04924523	COMPLETE STEADY REST
4524	PW03M	FLAT WASHER 6MM
4525	P04924525	CLEVIS PIN 6 X 32MM



# Tailstock Diagram (5700 Series Parts)



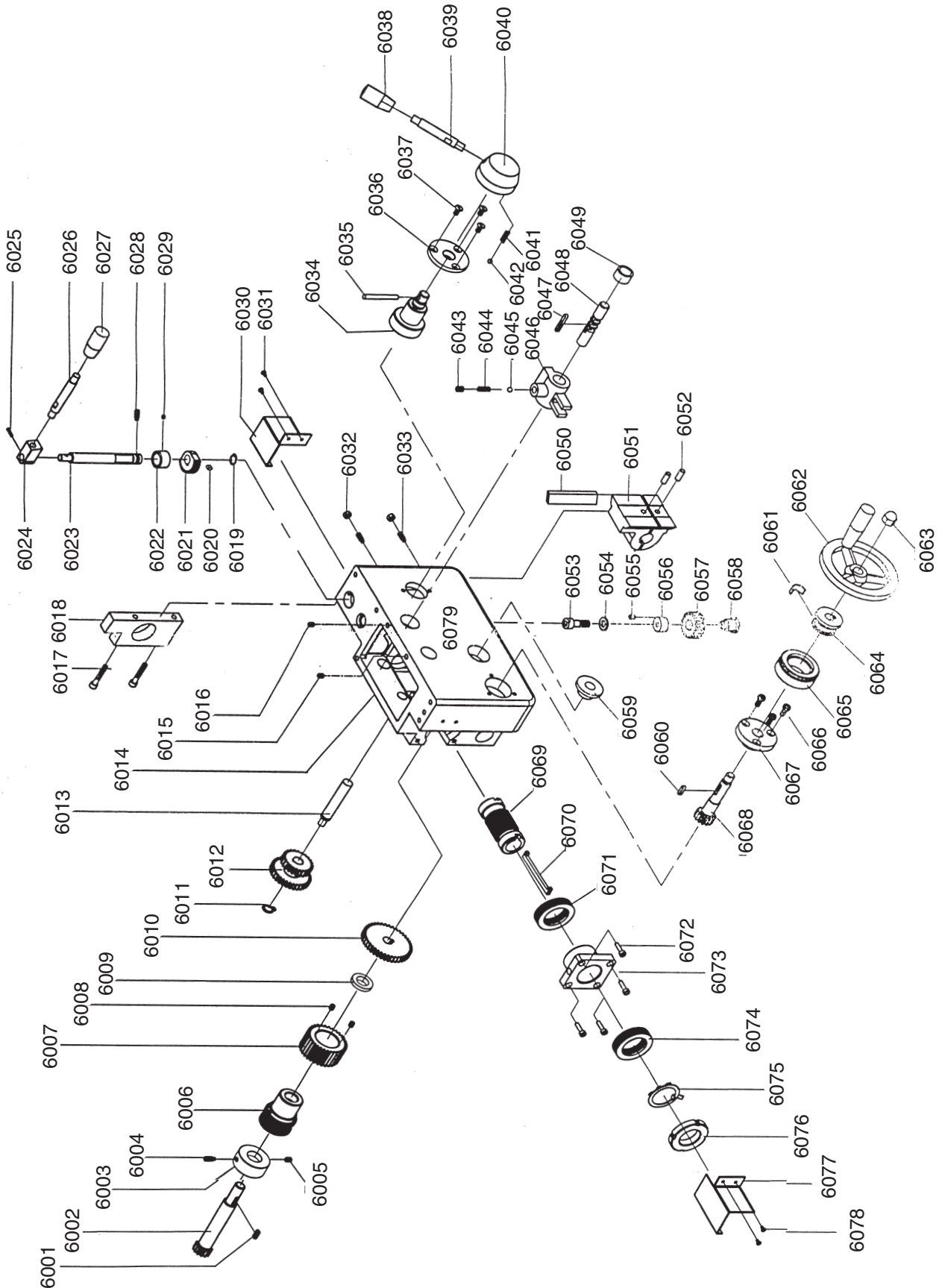
# 5700 Series Parts List

REF	PART #	DESCRIPTION
5701	P04925701	SPECIAL SET SCREW M5-.8 X 8
5702	P04925702	COMPRESSION SPRING
5703	P04925703	BALL OILER
5704	P04925704	STEEL BALL 8MM
5705	PR03M	EXT RETAINING RING 12MM
5706	P04925706	DOWEL NUT
5707	PSB12M	CAP SCREW M8-1.25 X 40
5708	P04925708	SCALE LABEL
5709	P04925709	T-KEY
5710	P04925710	BARREL
5711	P04925711	COLLAR SLEEVE
5712	P04925712	SPECIAL SET SCREW M5-.8 X 10
5713	P04925713	WEDGE NUT
5714	P04925714	WEDGE SLEEVE
5715	P04925715	KNOB M8-1.25 FEMALE
5716	P04925716	LEVER
5717	P04925717	LEVER HUB
5718	P04925718	TAILSTOCK HOUSING
5719	P04925719	TAILSTOCK STEM
5720	PK125M	KEY 4 X 4 X 28
5721	P04925721	FLANGE HUB

REF	PART #	DESCRIPTION
5722	P04921028	BALL OILER 6MM
5723	PSB33M	CAP SCREW M5-.8 X 12
5724	P04925724	DIAL
5725	P04925725	SLEEVE
5726	P04925726	FLAT SPRING
5727	P04925727	HAND WHEEL
5728	PN41M	ACORN NUT M10-1.5
5729	P04925729	HANDLE
5730	P04925730	KNOB M10-1.5 FEMALE
5731	P04925731	LEVER
5732	P04925732	TAPER PINS
5733	P04925733	SHAFT
5734	P04925734	SPECIAL SET SCREW M5-.8 X 12
5735	P04925735	PULL SHAFT
5736	P04925736	BASE
5737	P04925737	CHOCK
5738	P04925738	SPECIAL HEX NUT M12-1.5
5739	P04925739	PIN
5740	P04925740	SPECIAL HEX NUT M12-1.75
5741	PW06M	FLAT WASHER 12MM



# Apron Diagram (6000 Series Parts)



# 6000 Series Parts List

REF	PART #	DESCRIPTION
6001	PK81M	KEY 6 X 6 X 12
6002	P04926002	GEAR SHAFT
6003	P04926003	LOCK COLLAR
6004	PSS04M	SET SCREW M6-1 X 12
6005	P04926005	SPECIAL SET SCREW M6-1.0 X 12
6006	P04926006	WORM GEAR
6007	P04926007	GEAR (40-TOOTH)
6008	P04926008	SPECIAL SET SCREW M5-.8 X 8
6009	P04926009	SPACER
6010	P04926010	GEAR (60-TOOTH)
6011	PR09M	EXT RETAINING RING 20MM
6012	P04926012	CLUSTER GEAR
6013	P04926013	SHAFT
6014	P04926014	CASE
6015	P04926015	SPECIAL SET SCREW M5-.8 X 16
6016	P04926016	SPECIAL SET SCREW M6-1.0 X 20
6017	PSB79M	CAP SCREW M5-.8 X 35
6018	P04926018	APRON END BLOCK
6019	PR03M	EXT RETAINING RING 12MM
6020	PK29M	KEY 4 X 4 X 8
6021	P04926021	GEAR (30-TOOTH)
6022	P04926022	SPACER
6023	P04926023	SHAFT
6024	P04926024	ANGLE BLOCK
6025	P04926025	TAPER PIN
6026	P04926026	LEVER
6027	P04926027	KNOB M8-1.25 FEMALE
6028	PSS34M	SET SCREW M5-.8 X 16
6029	P04926029	SPECIAL SET SCREW M5-.8 X 8
6030	P04926030	COVER
6031	PS05M	PHLP HD SCR M5-.8 X 8
6032	PN06M	HEX NUT M5-.8
6033	P04926033	SPECIAL SET SCREW M5-.8 X 25
6034	P04926034	STUB HUB
6035	P04926035	TAPER PIN
6036	P04926036	FLANGE HUB
6037	PFH25M	FLAT HD SCR M4-.7 X 12
6038	P04926038	KNOB M8-1.25 FEMALE
6039	P04926039	LEVER
6040	P04926040	LEVER HUB

REF	PART #	DESCRIPTION
6041	P04926041	COMPRESSION SPRING
6042	P04926042	STEEL BALL 6.5MM
6043	P04926043	SPECIAL SET SCREW M6-1.0 X 8
6044	P04926044	COMPRESSION SPRING
6045	P04926045	STEEL BALL 5MM
6046	P04926046	SHIFTING FORK
6047	PK02M	KEY 5 X 5 X 40
6048	P04926048	SHIFTING FORK SHAFT
6049	P04926049	SLEEVE
6050	P04926050	GIB
6051	P04926051	HALF NUT SET
6052	P04926052	ALIGNMENT PINS 6 X 8MM
6053	PSB06M	CAP SCREW M6-1 X 25
6054	PLW03M	LOCK WASHER 6MM
6055	P04926055	SPECIAL SET SCREW M4-.7 X 8
6056	P04926056	SLEEVE
6057	P04926057	MIDDLE GEAR
6058	P04926058	STUB HUB
6059	P04926059	BEARING SLEEVE
6060	PK125M	KEY 4 X 4 X 28
6061	P04926061	FLAT SPRING
6062	P04926062	HAND WHEEL
6063	PN42M	ACORN NUT M12 X 1.5
6064	P04926064	SLEEVE
6065	P04926065	DIAL
6066	PS02M	PHLP HD SCR M4-.7 X 12
6067	P04926067	FLANGE SLEEVE
6068	P04926068	GEAR SHAFT
6069	P04926069	WORM SHAFT
6070	P04926070	SADDLE KEY 4 X 28
6071	P8106	THRUST BEARING 8106
6072	PSB24M	CAP SCREW M5-.8 X 16
6073	P04926073	FIXED FLANGE HUB
6074	P8106	THRUST BEARING 8106
6075	P04926075	TANG WASHER
6076	P04926076	SPANNER NUT M30-1.5
6077	P04926077	PLATE
6078	PS05M	PHLP HD SCR M5-.8 X 8
6079	P04926079	HOUSING



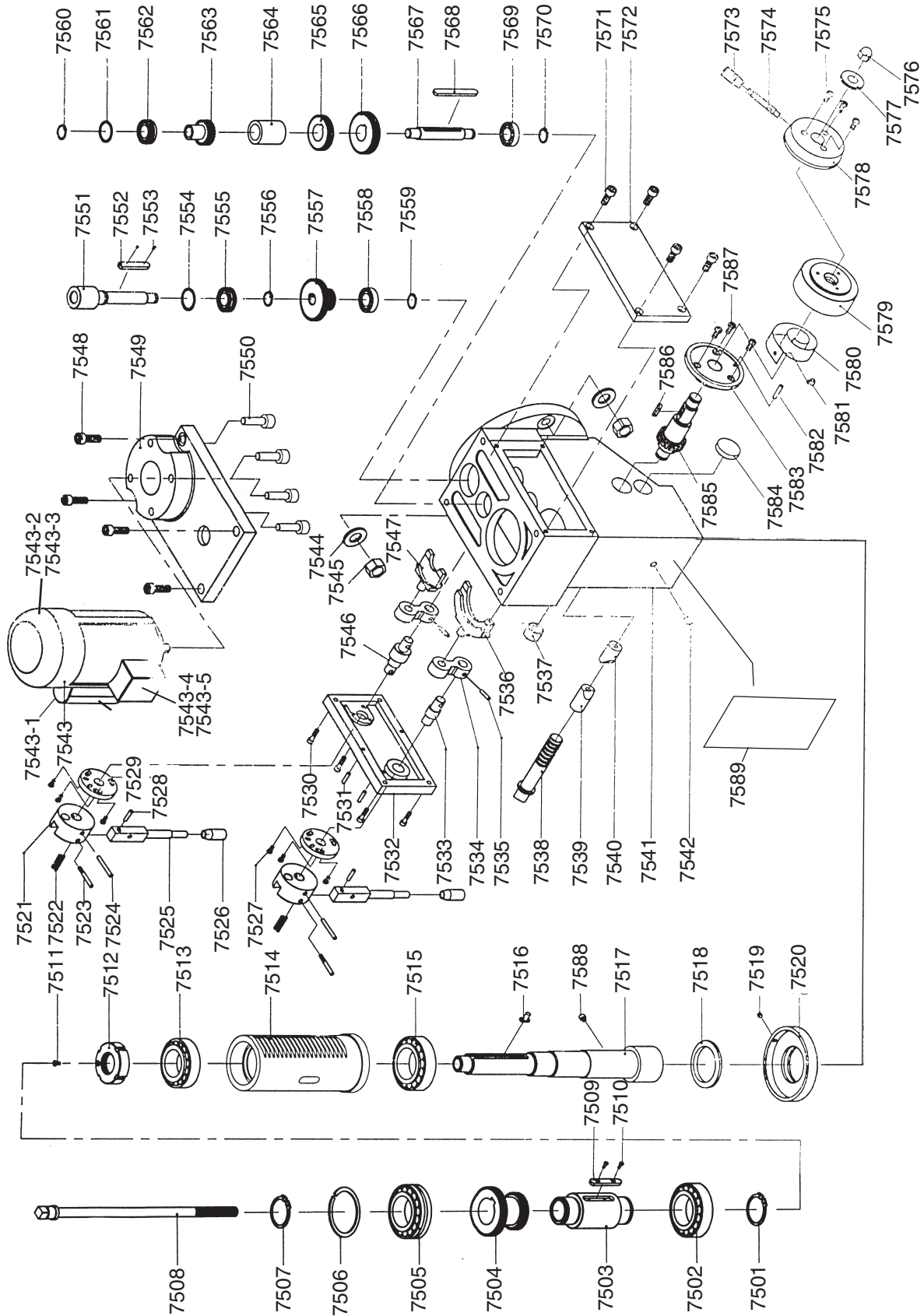
# 7500 Series Parts List

REF	PART #	DESCRIPTION
7501	PR12M	EXT RETAINING RING 35MM
7502	P04927502	ROLLER BEARING 207
7503	P04927503	SHAFT SLEEVE
7504	P04927504	CLUSTER GEAR
7505	P04927505	BALL BEARING 50207
7506	P04927506	BEARING LOOP
7507	PR12M	EXT RETAINING RING 35MM
7508	P04927508	DRAW BAR 7/16-20
7509	P04927509	SPECIAL KEY
7510	P04927510	SPECIAL SET SCREW M3-.5 X 8
7511	PFH31M	FLAT HD SCR M4-.7 X 8
7512	P04927512	SPANNER NUT M30-1.5
7513	P04927513	TAPER ROLLER BEARING 2007106
7514	P04927514	RACK
7515	P04927515	TAPER ROLLER BEARING D2007107
7516	P04927516	T-KEY
7517	P04927517	SPINDLE (R8)
7518	P04927518	FELT SEAT
7519	P04927519	SPECIAL SET SCREW M4-.7 X 12
7520	P04927520	BEARING CAP
7521	P04927521	LEVER HUB
7522	P04927522	COMPRESSION SPRING
7523	P04927523	PIVOT STUD
7524	P04927524	TAPER PIN
7525	P04927525	LEVER
7526	P04927526	KNOB M8-1.25 FEMALE
7527	PSB18M	CAP SCREW M4-.7 X 8
7528	P04927528	STRAIGHT PIN
7529	P04927529	LOCATING PLATE
7530	PSB24M	CAP SCREW M5-.8 X 16
7531	P04927531	TAPER PIN
7532	P04927532	SHIFTER COVER
7533	P04927533	SHIFTING FORK SHAFT
7534	P04927534	ROCKER ARM
7535	P04927535	TAPER PIN
7536	P04927536	LARGE SHIFT FORK
7537	P04927537	END SLEEVE
7538	P04927538	LOCK STUD
7539	P04927539	SLEEVE NUT
7540	P04927540	WEDGE NUT
7541	P04927541	GEARBOX CASE
7542	PSB76M	CAP SCREW M8-1.25 X 18
7543	P04927543	MOTOR 220V 3/4 HP
7543-1	P04927543-1	CAPACITOR 200UF/250VAC
7543-2	P04927543-2	FAN COVER
7543-3	P04927543-3	FAN
7543-4	P04927543-4	POWER SWITCH (KJD12, 230VAC, 5E4)

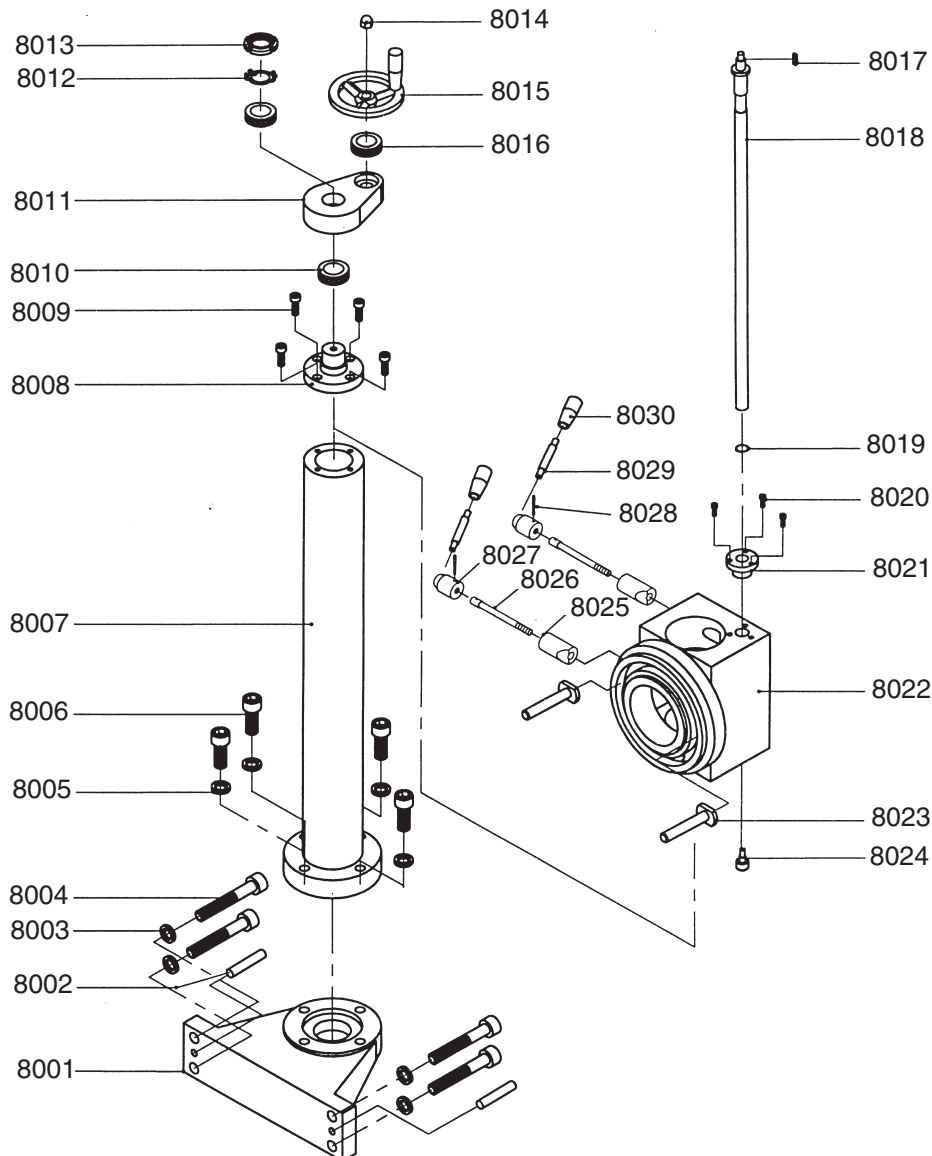
REF	PART #	DESCRIPTION
7543-5	P04927543-5	POWER SWITCH BOX
7544	PW04M	FLAT WASHER 10MM
7545	PN02M	HEX NUT M10-1.5
7546	P04927546	SHIFTING FORK SHAFT
7547	P04927547	SMALL SHIFTING FORK
7548	PSB14M	CAP SCREW M8-1.25 X 20
7549	P04927549	MOTOR MOUNT PLATE
7550	PSB02M	CAP SCREW M6-1 X 20
7551	P04927551	INPUT SHAFT
7552	PK112M	KEY 5 X 5 X 50
7553	P04927553	SPECIAL SCREW
7554	P04927554	BEARING LOOP
7555	P50207	BALL BEARING 50207
7556	PR18M	EXT RETAINING RING 17MM
7557	P04927557	CLUSTER GEAR
7558	P60201	BALL BEARING 60201
7559	PR03M	EXT RETAINING RING 12MM
7560	PR03M	EXT RETAINING RING 12MM
7561	P04927561	BEARING LOOP
7562	P50207	BALL BEARING 50207
7563	P04927563	GEAR (21-TOOTH)
7564	P04927564	SPACER
7565	P04927565	GEAR (39-TOOTH)
7566	P04927566	GEAR (45-TOOTH)
7567	P04927567	IDLER SHAFT
7568	PK112M	KEY 5 X 5 X 55
7569	P60201	BALL BEARING 60201
7570	PR03M	EXT RETAINING RING 12MM
7571	PSB24M	CAP SCREW M5-.8 X 16
7572	P04927572	GEARBOX COVER
7573	P04927573	KNOB M8-1.25 FEMALE
7574	P04927574	LEVER
7575	PFH41M	FLAT HD SCR M4-.7 X 16
7576	PN18M	ACORN NUT M8-1.25
7577	P04927577	ADJUSTMENT WASHER
7578	P04927578	LEVER HUB
7579	P04927579	CALIBRATED DIAL
7580	P04927580	COILED FLAT SPRING
7581	PS07M	PHLP HD SCR M4-.7 X 8
7582	P04927582	PIN
7583	P04927583	FLANGE HUB
7584	P04927584	CAP
7585	P04927585	PINION GEAR SHAFT
7586	PK06M	KEY 5 X 5 X 10
7587	PB96M	HEX BOLT M5-.8 X 10
7588	P04927588	SPECIAL SHOULDER SCREW
7589	P04927589	CONVERSION DATA PLATE



# Mill Headstock Diagram (7500 Series Parts)



# Mill Column Diagram (8000 Series Parts)

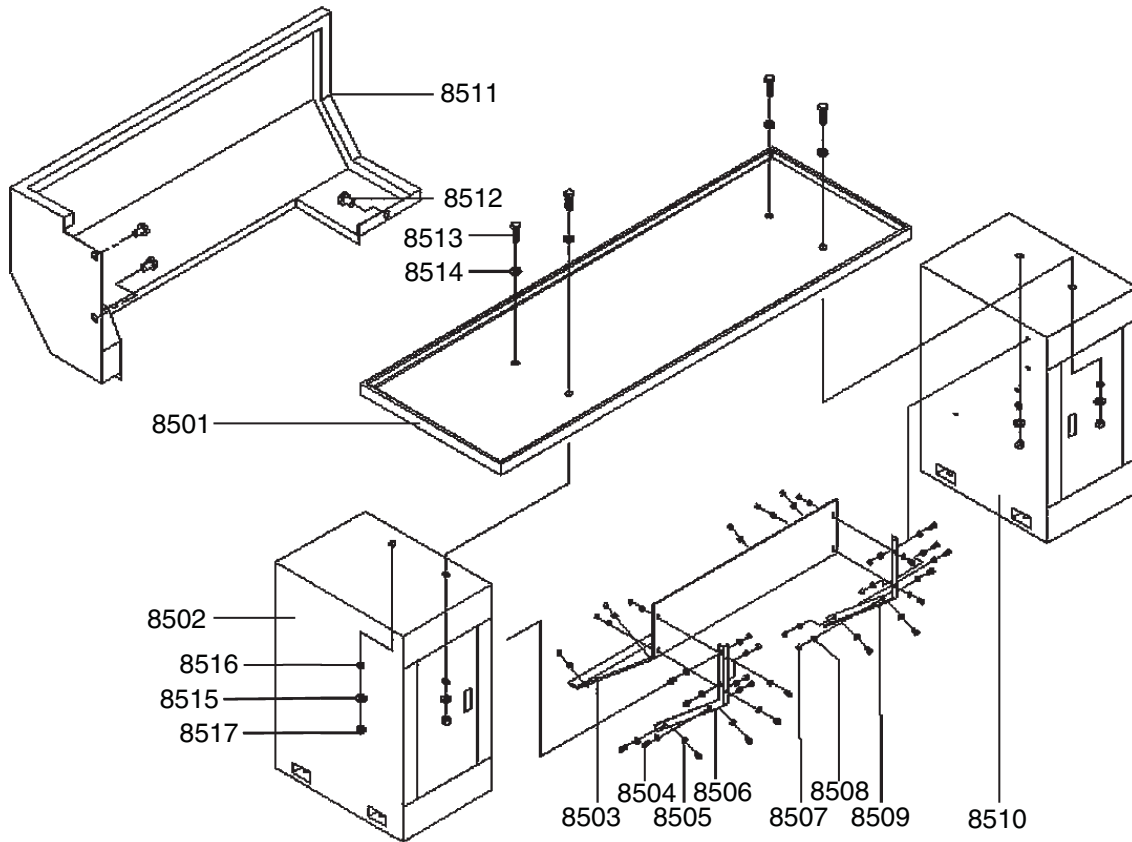


REF	PART #	DESCRIPTION
8001	P04928001	PEDESTAL
8002	P04928002	TAPER PIN
8003	PLW05M	LOCK WASHER 12MM
8004	PSB92M	CAP SCREW M12-1.75 X 40
8005	PLW05M	LOCK WASHER 12MM
8006	PSB119M	CAP SCREW M12-1.75 X 55
8007	P04928007	COLUMN
8008	P04928008	COLUMN FLANGE
8009	PSB02M	CAP SCREW M6-1 X 20
8010	P8106	BALL BEARING 8106
8011	P04928011	COLUMN BRACKET
8012	P04928012	TANG WASHER
8013	P04928013	SPANNER NUT M30-1.5
8014	PN41M	ACORN NUT M10-1.5
8015	P04928015	HAND WHEEL

REF	PART #	DESCRIPTION
8016	P8103	BALL BEARING 8103
8017	PK69M	KEY 4 X 4 X 12
8018	P04928018	HEADSTOCK LEAD SCREW
8019	PR18M	EXT RETAINING RING 17MM
8020	PSB06M	CAP SCREW M6-1 X 25
8021	P04928021	LEADSCREW NUT
8022	P04928022	COLUMN BRACKET
8023	P04928023	T-BOLT
8024	P04928024	SPECIAL SHOULDER SCREW
8025	P04928025	WEDGE SLEEVE
8026	P04928026	LOCK STUD
8027	P04928027	LEVER HUB
8028	P04928028	TAPER PIN
8029	P04928029	LEVER
8030	P04928030	KNOB M8-1.25 FEMALE



# Stand Diagram (8500 Series Parts)

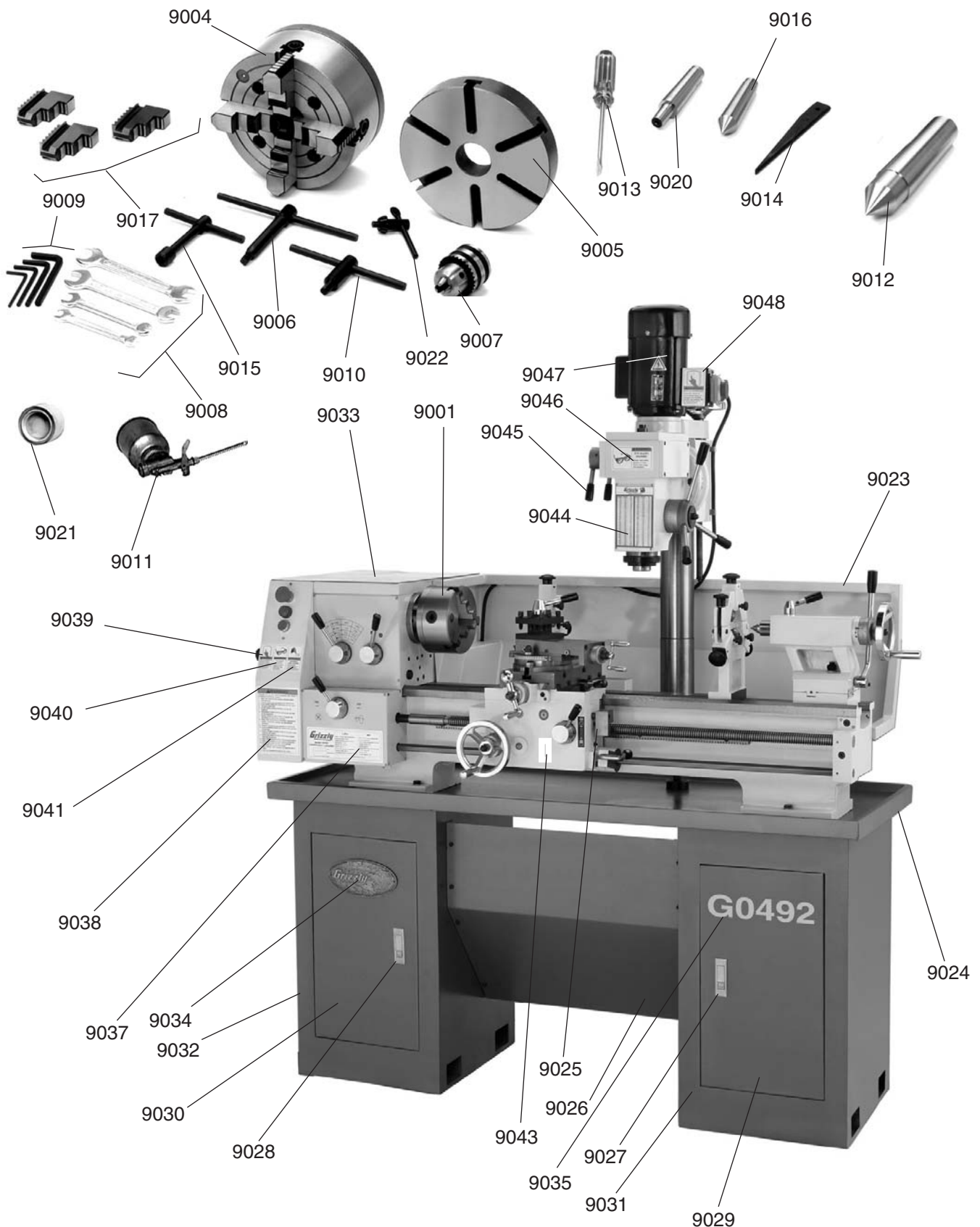


REF	PART #	DESCRIPTION
8501	P04928501	OIL PAN
8502	P04928502	LEFT BOTTOM BOX
8503	P04928503	CONNECTION BOARD
8504	PS08M	PHLP HD SCR M5-.8 X 12
8505	PW02M	FLAT WASHER 5MM
8506	P04928506	LEFT BRACKET
8507	PN06M	HEX NUT M5-.8
8508	PW02M	FLAT WASHER 5MM
8509	P04928509	RIGHT BRACKET

REF	PART #	DESCRIPTION
8510	P04928510	RIGHT BOTTOM BOX
8511	P04928511	BACKSPLASH
8512	PSB26M	CAP SCREW M6-1 X 12
8513	PB116M	HEX BOLT M10-1.5 X 45
8514	PW04M	FLAT WASHER 10MM
8515	PLW06M	LOCK WASHER 10MM
8516	PW04M	FLAT WASHER 10MM
8517	PN02M	HEX NUT M10-1.5



# Accessories and Labels Diagram (9000 Series Parts)



# 9000 Series Parts List

REF	PART #	DESCRIPTION
9001	P04929001	6" THREE-JAW CHUCK
9004	P04929004	8" FOUR-JAW UNIVERSAL CHUCK
9005	P04929005	8" FACEPLATE
9006	P04929006	FOUR-JAW CHUCK KEY
9007	P04929007	DRILL CHUCK (1-13MM, JT-33)
9008	P04929008	WRENCH SET (8/10, 10/12, 14/17, 17/19 MM)
9008-1	P04929008-1	COMBINATION WRENCH 8/10
9008-2	P04929008-2	COMBINATION WRENCH 10/12
9008-3	P04929008-3	COMBINATION WRENCH 14/17
9008-4	P04929008-4	COMBINATION WRENCH 17/19
9009	P04929009	HEX WRENCH SET (2, 4, 6, 8, MM)
9009-1	PAW02M	HEX WRENCH 4MM
9009-2	PAW04M	HEX WRENCH 4MM
9009-3	PAW06M	HEX WRENCH 6MM
9009-4	PAW08M	HEX WRENCH 8MM
9010	P04929010	THREE-JAW CHUCK KEY
9011	P04929011	OIL CAN
9012	P04929012	DEAD CENTER MT#5
9013	P04929013	STANDARD SCREWDRIVER #2
9014	P04929014	WEDGE
9015	P04929015	TOOL POST T-HANDLE WRENCH
9016	P04929016	DEAD CENTER MT#3
9017	P04929017	THREE-JAW CHUCK INT. JAWS
9020	P04929020	ARBOR JT-33 TO MT#3
9021	P04929021	SPOT PAINT

REF	PART #	DESCRIPTION
9022	P04929022	DRILL CHUCK KEY
9023	P04929023	BACK SPLASH
9024	P04929024	CHIP TRAY
9025	P04929025	THREAD DIAL
9026	P04929026	KICK PANEL
9027	P04929027	COMPLETE RT DOOR LATCH ASSY
9028	P04929028	COMPLETE LFT DOOR LATCH ASSY
9029	P04929029	RT DOOR W/HINDGES AND LOCK
9030	P04929030	LFT DOOR W/HINDGES AND LOCK
9031	P04929031	COMPLETE RT CABINET W/DOOR
9032	P04929032	COMPLETE LFT CABINET W/DOOR
9033	P04929033	RUBBER MAT
9034	P04929034	GRIZZLY LOGO PLATE
9035	P04929035	G0492 LABEL
9037	P04929037	DATA LABEL
9038	P04929038	GENERAL WARNING LABEL
9039	P04929039	WEAR EYEPROTECTION LABEL
9040	P04929040	READ MANUAL FIRST LABEL
9041	P04929041	TIE BACK LOOSE CLOTHING LABEL
9043	P04929043	THREAD DIAL CHART LABEL
9044	P04929044	INCH/METRIC CONVERSION CHART
9045	P04929045	MILL GEAR BOX SPEED LABEL
9046	P04929046	WEAR EYEPROTECTION LABEL
9047	P04929047	ELECTRICAL HAZARD LABEL
9048	P04929048	READ MANUAL FIRST LABEL

