



# MODEL H8361/H8362 60"/72" SUPER HEAVY-DUTY WORKBENCHES INSTRUCTIONS

## Introduction

Sized to fit the needs of any shop, these workbenches feature laminated birch construction for strength and stability.

## Specifications

### H8361

Construction ..... Laminated Birch  
 Shipping Weight ..... 248 lbs.  
 Dimensions ..... 60"L x 30"W x 3"T  
 Table Height Above Floor ..... 38"  
 Tail Vise Width ..... 14<sup>3</sup>/<sub>4</sub>"  
 Tail Vise Max. Capacity ..... 7"

### H8362

Construction ..... Laminated Birch  
 Shipping Weight ..... 315 lbs.  
 Dimensions ..... 72"L x 36"W x 3"T  
 Table Height Above Floor ..... 38"  
 Tail Vise Width ..... 17<sup>3</sup>/<sub>4</sub>"  
 Tail Vise Max. Capacity ..... 7"

## Inventory

- A. Bench Top ..... 1
- B. Right Side Leg ..... 1
- C. Left Side Leg ..... 1
- D. Cross Braces ..... 2
- E. Tail Vise ..... 1
- F. Vise Wood Block ..... 1
- G. Hardware and Tools (not shown)
  - Flat Washers <sup>5</sup>/<sub>16</sub>" ..... 12
  - Machine Screws <sup>5</sup>/<sub>16</sub>"-18 x 4" ..... 8
  - Dowel Nuts <sup>5</sup>/<sub>16</sub>"-18 ..... 8
  - Wood Screws <sup>5</sup>/<sub>16</sub>" x 2<sup>1</sup>/<sub>2</sub>" ..... 4
  - Wood Screws #5 x 1<sup>7</sup>/<sub>16</sub>" ..... 2
  - Cotter Pin ..... 1
  - Hex Wrench 5mm ..... 1

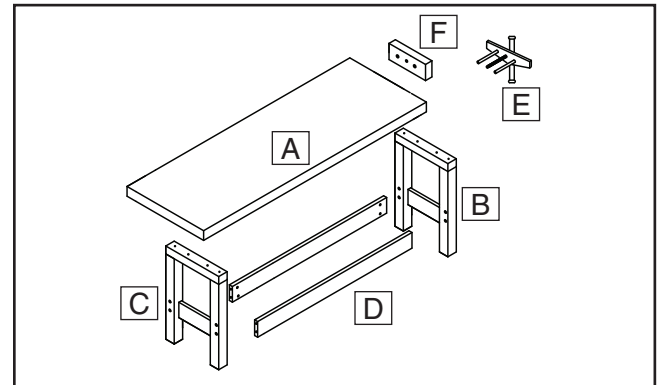


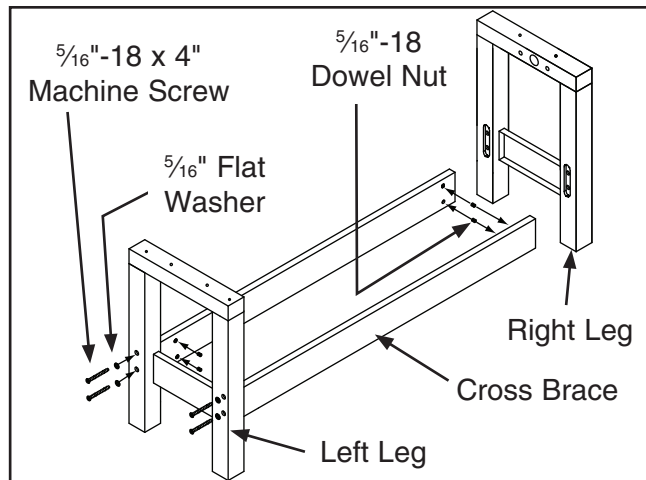
Figure 1. Model H8361/H8362 inventory.



Figure 2. Model H8361 and H8362.

## Table Assembly

1. Place eight  $\frac{5}{16}$ "-18 dowel nuts in the holes on the cross braces, as shown in **Figure 3**.

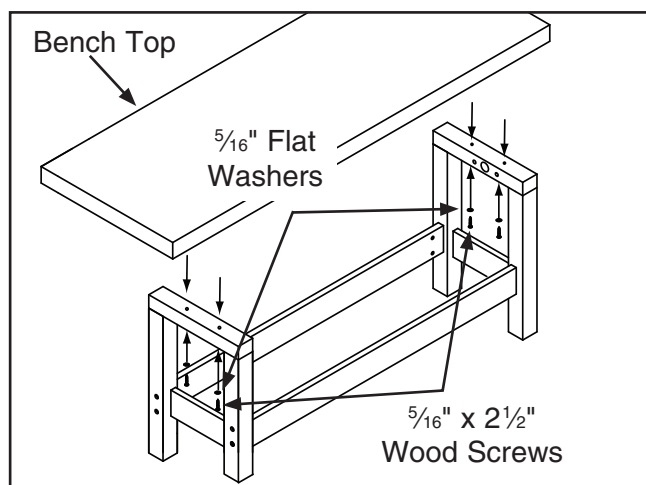


**Figure 3.** Attaching cross braces and legs.

2. Insert the cross braces into the right and left legs, and secure with eight  $\frac{5}{16}$ "-18 x 4" machine screws and flat washers.

**Note:** Do not fully tighten the fasteners until instructed.

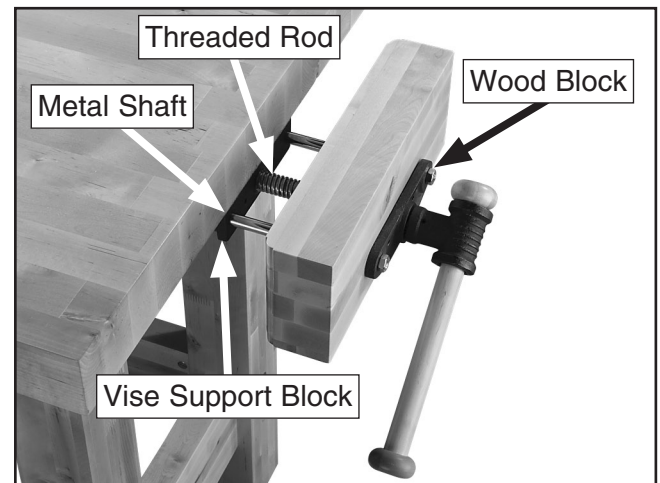
3. Place the bench top over the legs, align the mounting holes, and secure with four  $\frac{5}{16}$ " x 2 $\frac{1}{2}$ " wood screws and  $\frac{5}{16}$ " flat washers, as shown in **Figure 4**. Secure all the machine screws now.



**Figure 4.** Installing table top.

## Vise Installation

1. Insert the metal shafts and threaded rod of the vise through the holes in the vise wood block and into the vise support block under the bench top (see **Figure 5**).

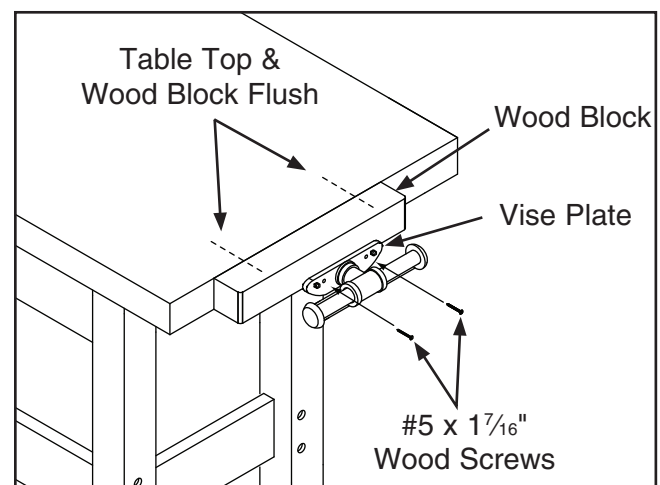


**Figure 5.** Vise threaded into vise support block.

2. Turn the vise handle clockwise until the wood block (**Figure 5**) just touches the table.

**Note:** Do not fully tighten the vise handle; leave it loose enough so the wood block can be adjusted in the next step.

3. Adjust the top of the wood block flush with the surface of the table using a straightedge, as shown in **Figure 6**.



**Figure 6.** Installing vise.



4. Using an 1/8" drill bit, drill 1 7/16" deep holes through the vise plate mounting holes and into the wood block.
5. Secure the vise plate to the wood block with two #5 x 1 7/16" wood screws (**Figure 6**).
6. Place a cotter pin in the end of the threaded rod, bending it tightly around the shaft to keep it from threading out of the vise support block.

## Maintenance

To avoid damaging it, do not store the workbench outside, or in an overly damp or extremely dry location.

*If you need help with your new item, call our Tech Support at: (570) 546-9663.*

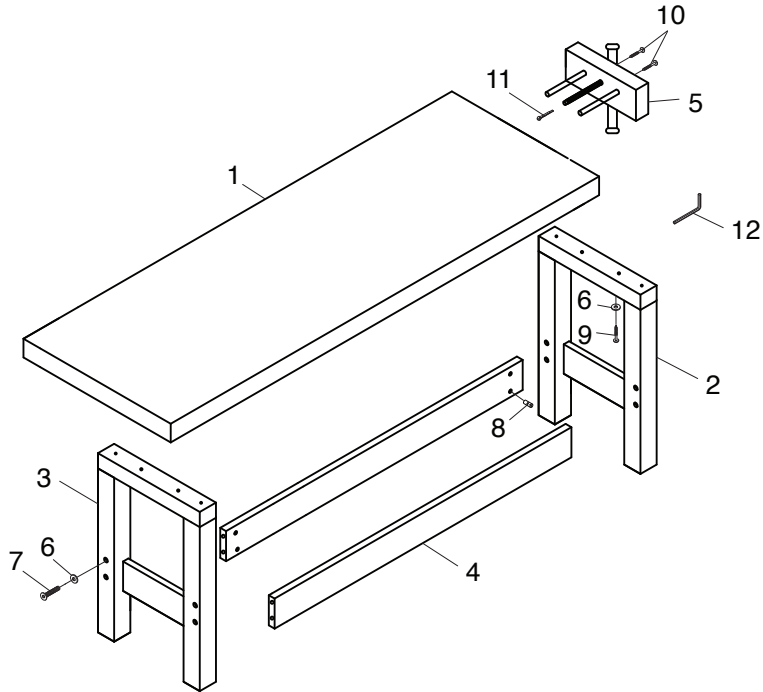
## **WARNING**

To reduce risk of serious injury when using this bench:

- Do not apply an unbalanced load that could result in the workbench tipping over.
- Do not stand or climb on the workbench.
- Avoid applying excessive force when using workbench vise and dogs. Be sure workpiece is securely locked in place.
- Always wear eye protection.
- Keep your work area clean, uncluttered and well lit. Do not work on or place workbench legs on floor surfaces that are slippery from sawdust, oil, water, or wax.
- Keep visitors and children at a safe distance away from the work area, especially when you are operating a power tool.
- Do not wear loose clothing, gloves, neckties, or jewelry. Secure long hair, button all long sleeve shirts, and wear non-slip footwear.



# H8361/H8362 Parts Breakdown



## H8361 Parts List

REF	PART #	DESCRIPTION
1	PH8361001	BENCH TOP
2	PH8361002	RIGHT SIDE LEG
3	PH8361003	LEFT SIDE LEG
4	PH8361004	CROSS BRACE
5	PH8361005	TAIL VISE
6	PW07	FLAT WASHER 5/16

REF	PART #	DESCRIPTION
7	PH8361007	MACHINE SCREW 5/16"-18 X 4"
8	PH8361008	DOWEL NUT 5/16"-18
9	PH8361009	WOOD SCREW 5/16" X 2-1/2"
10	PH8361010	WOOD SCREW #5 X 1-7/16"
11	PH8361011	COTTER PIN
12	PAW05M	HEX WRENCH 5MM

## H8362 Parts List

REF	PART #	DESCRIPTION
1	PH8362001	BENCH TOP
2	PH8362002	RIGHT SIDE LEG
3	PH8362003	LEFT SIDE LEG
4	PH8362004	CROSS BRACE
5	PH8362005	TAIL VISE
6	PW07	FLAT WASHER 5/16

REF	PART #	DESCRIPTION
7	PH8361007	MACHINE SCREW 5/16"-18 X 4"
8	PH8361008	DOWEL NUT 5/16"-18
9	PH8361009	WOOD SCREW 5/16" X 2-1/2"
10	PH8361010	WOOD SCREW #5 X 1-7/16"
11	PH8361011	COTTER PIN
12	PAW05M	HEX WRENCH 5MM

